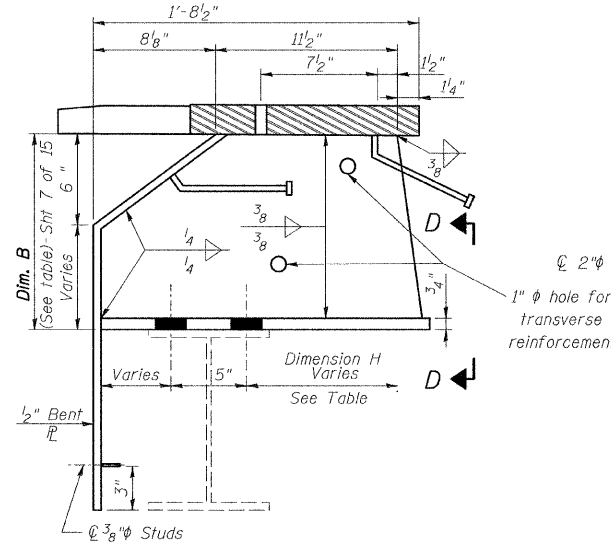


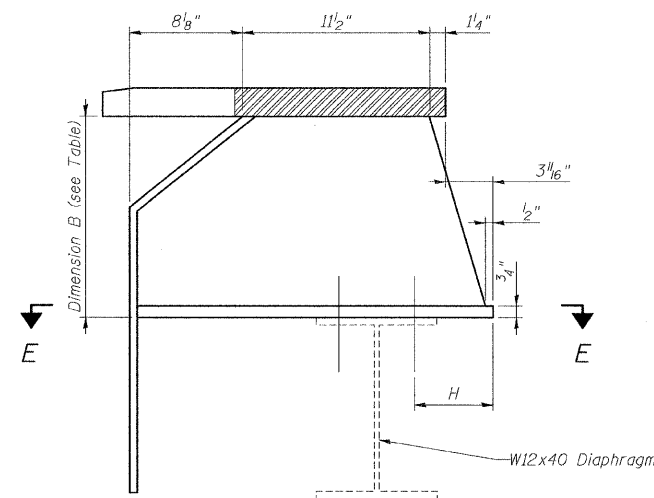
STATE OF ILLINOIS
DEPARTMENT OF TRANSPORTATION

ROUTE NO.	SECTION	COUNTY	TOTAL SHEETS	SHEET NO.	SHEET NO. 7
IL 84	(1,2)B-2M	HENRY and ROCK ISLAND	23	9	15 SHEETS
FED. ROAD DIST. NO. 7 ILLINOIS FED. AID PROJECT-					
CONTRACT 64E18					

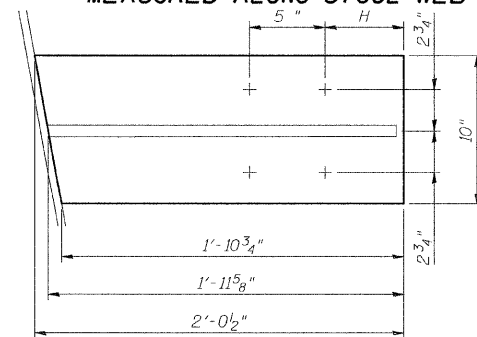
Stool No.	Dim. A			Deck El.		Stool No.	Dim. B			Dim. H
	West Abut.	West	West Abut.	East	East		West Abut.	West	West	
A1	8"	21 3/16"	589.34	21 3/8"	584.44	B1	6 1/8"	1 1/2"	6 1/8"	1 1/2"
A2	8"	21 1/16"	589.38	21 1/8"	584.47	B2	11 7/16"	1 1/2"	11 5/16"	6 3/16"
A3	10"	20 9/16"	589.42	20 5/8"	584.51	B3	11 7/8"	6 3/16"	11 5/16"	10 13/16"
A4	10"	20 9/16"	589.45	20 3/4"	584.55	B4	12 3/8"	10 13/16"	12 1/4"	1 1/2"
A5	10"	21 1/16"	589.49	21 1/4"	584.59	B5	8"	1 1/2"	8 1/16"	1 1/2"
A6	10"	21 1/2"	589.53	21 1/16"	584.63	B6	13 1/8"	12 5/8"	13 1/16"	1 1/2"
A7	10"	21 13/16"	589.56	20"	584.65	B7	13 7/16"	8 9/16"	13 5/16"	5 13/16"
A8	12"	20 3/16"	589.59	20 3/8"	584.68	B8	13 1/16"	5 13/16"	13 5/16"	8 5/16"
A9	12"	20 1/2"	589.62	20 1/16"	584.71	B9	14"	1 1/2"	13 7/8"	12 5/8"
A10	12"	20 5/8"	589.64	21 1/16"	584.74	B10	6 1/16"	1 1/2"	6 1/8"	1 1/2"
A11	12"	21 3/16"	589.67	21 3/8"	584.77	B11	14 5/8"	1 1/2"	14 1/2"	6 3/16"
A12	12"	21 1/2"	589.70	21 1/16"	584.80	B12	14 15/16"	6 3/16"	14 7/8"	10 13/16"
A13	12"	21 7/8"	589.73	22 1/16"	584.82	B13	15 5/16"	10 13/16"	15 1/4"	1 1/2"
A14	14"	20 3/16"	589.76	20 3/8"	584.85	B14	7 1/2"	1 1/2"	7 1/2"	1 1/2"
A15	14"	20 9/16"	589.78	20 3/4"	584.88	B15	15 15/16"	12 5/8"	15 7/8"	1 1/2"
A16	14"	20 7/8"	589.81	21 1/16"	584.91	B16	16 1/4"	8 5/16"	16 1/8"	5 13/16"
A17	14"	21 3/16"	589.84	21 3/8"	584.94	B17	16 1/2"	5 13/16"	16 7/16"	8 5/16"
A18	14"	21 9/16"	589.87	21 3/4"	584.96	B18	16 13/16"	1 1/2"	16 1/16"	12 5/8"
A19	14"	21 9/16"	589.87	21 1/16"	584.96	B19	8 1/16"	1 1/2"	8 1/16"	1 1/2"
A20	14"	20 15/16"	589.82	21 1/8"	584.91	B20	16 11/16"	1 1/2"	16 5/8"	6 3/16"
A21	14"	20 7/16"	589.78	20 5/8"	584.87	B21	16 3/16"	6 3/16"	16 1/16"	10 13/16"
A22	14"	19 5/16"	589.73	20 1/8"	584.83	B22	15 5/8"	10 13/16"	15 9/16"	1 1/2"
A23	12"	21 7/16"	589.69	21 5/8"	584.79	B23	6 1/16"	1 1/2"	6 1/8"	1 1/2"
A24	12"	21 3/8"	589.69	21 9/16"	584.78	B24	6 1/8"	1 1/2"	6 3/16"	1 1/2"
A25	14"	19 7/8"	589.73	20 1/16"	584.82	B25	15 1/2"	1 1/2"	15 7/16"	6 3/16"
A26	14"	20 5/16"	589.77	20 1/2"	584.86	B26	16"	6 3/16"	15 5/16"	10 13/16"
A27	14"	20 3/4"	589.80	20 5/16"	584.90	B27	16 1/2"	10 13/16"	16 3/8"	1 1/2"
A28	14"	21 1/4"	589.85	21 7/16"	584.94	B28	7 15/16"	1 1/2"	7 15/16"	1 1/2"
A29	14"	21 5/16"	589.85	21 1/2"	584.94	B29	16 1/2"	12 5/8"	16 7/16"	1 1/2"
A30	14"	20 15/16"	589.82	21 1/8"	584.91	B30	16 3/16"	8 5/16"	16 1/8"	5 13/16"
A31	14"	20 1/2"	589.78	20 1/16"	584.88	B31	15 7/8"	5 13/16"	15 13/16"	8 5/16"
A32	14"	20 1/8"	589.75	20 5/16"	584.85	B32	15 9/16"	1 1/2"	15 7/16"	12 5/8"
A33	12"	21 3/4"	589.72	21 5/16"	584.82	B33	7 3/4"	1 1/2"	7 15/16"	1 1/2"
A34	12"	21 3/8"	589.69	21 9/16"	584.78	B34	14 13/16"	1 1/2"	14 3/4"	6 3/16"
A35	12"	21"	589.66	21 3/16"	584.75	B35	14 7/16"	6 3/16"	14 3/8"	10 13/16"
A36	12"	20 5/8"	589.62	20 9/16"	584.72	B36	14 7/16"	10 13/16"	14 3/8"	1 1/2"
A37	12"	20 1/4"	589.59	22"	584.69	B37	6 3/16"	1 1/2"	6 3/16"	1 1/2"
A38	10"	21 1/8"	589.56	20"	584.66	B38	13 5/16"	12 5/8"	13 1/4"	1 1/2"
A39	10"	21 7/16"	589.53	21 5/8"	584.62	B39	13"	8 5/16"	12 15/16"	5 13/16"
A40	10"	21 1/16"	589.50	21 1/4"	584.59	B40	12 11/16"	5 13/16"	12 5/8"	8 5/16"
A41	10"	20 1/16"	589.46	20 7/8"	584.56	B41	12 3/8"	1 1/2"	12 5/16"	12 5/8"
A42	10"	20 3/16"	589.42	20 3/8"	584.52	B42	8 5/16"	1 1/2"	8 3/16"	1 1/2"
A43	8"	21 1/16"	589.38	21 7/8"	584.48	B43	11 1/2"	1 1/2"	11 1/16"	6 3/16"
A44	8"	21 3/16"	589.34	21 3/8"	584.43	B44	11"	6 3/16"	10 7/8"	10 13/16"
A45	8"	20 1/16"	589.30	20 7/8"	584.39	B45	10 7/16"	10 13/16"	10 3/8"	1 1/2"
A46	8"	20 3/16"	589.26	20 3/8"	584.35	B46	6 3/16"	1 1/2"	6 1/8"	1 1/2"



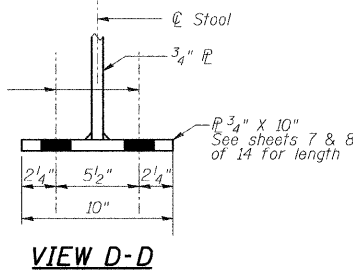
B STOOLS
MEASURED ALONG SKEW



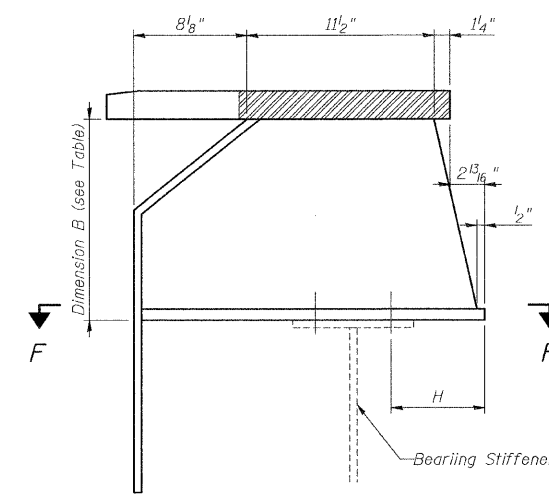
B STOOLS-AT DIAPHRAGMS
MEASURED ALONG STOOL WEB



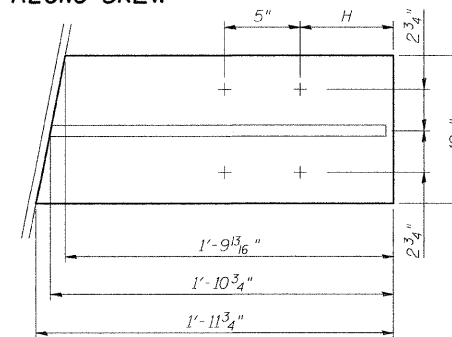
VIEW E-E



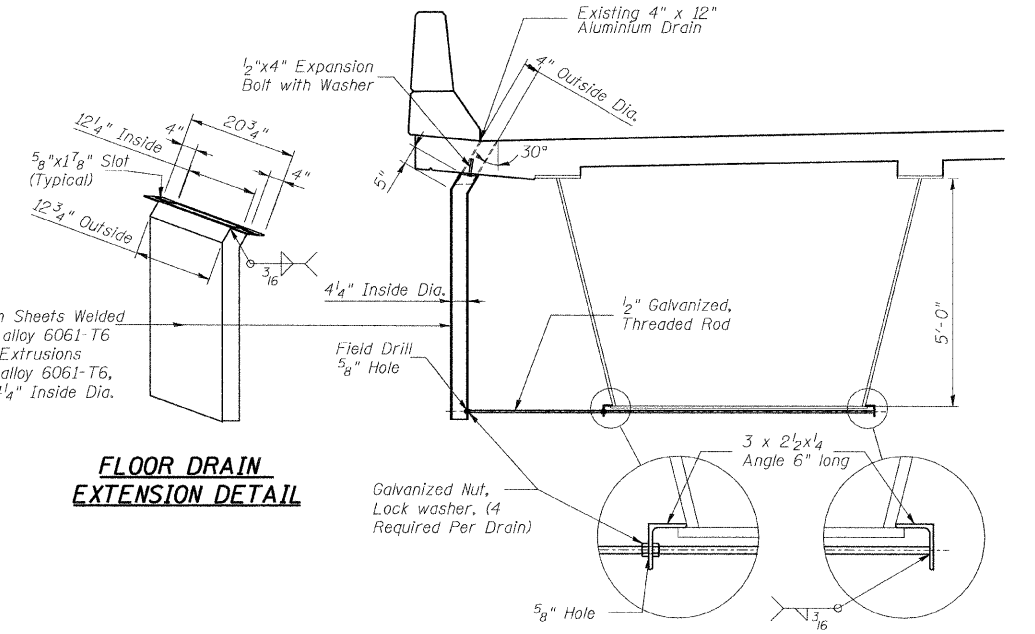
VIEW D-D



B STOOLS-BETWEEN BOX GIRDER WEBS
MEASURED ALONG SKEW

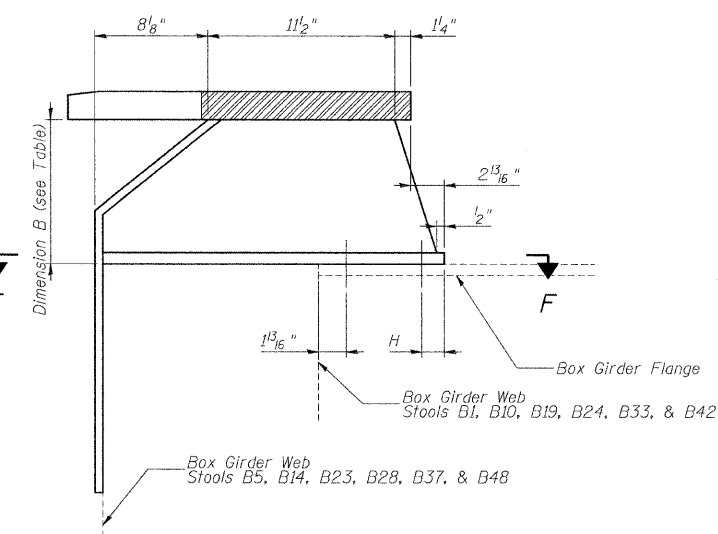


VIEW F-F



FLOOR DRAIN
EXTENSION DETAIL

SECTION AT DRAIN



B STOOLS-AT BOX GIRDER WEB
MEASURED ALONG SKEW

DESIGNED	M.H.
CHECKED	P.B.
DRAWN	C.L.
CHECKED	M.H./P.B.

JOINT DETAILS
IL ROUTE 84 OVER ROCK RIVER
FAP ROUTE 595 (IL 84), SECTION (1,2)B-2-M
HENRY COUNTIES
STATION 189+44
STRUCTURE NO. 037-0128

SCALE: DATE: Sept. 30, 2009

Soodan

Soodan & Associates, Inc.
100 North LaSalle Street, Suite 1800
Chicago, Illinois 60602