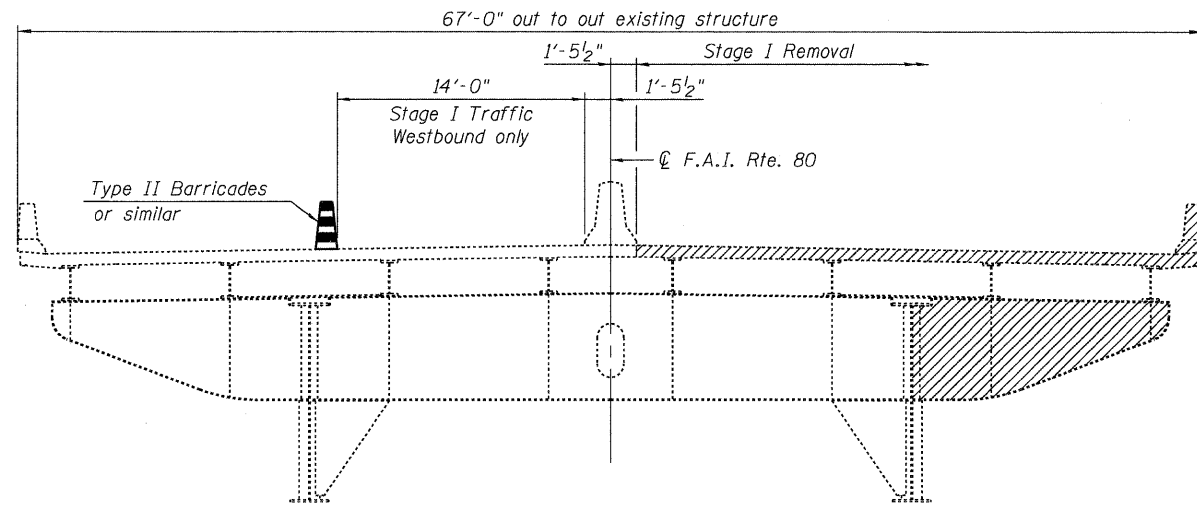
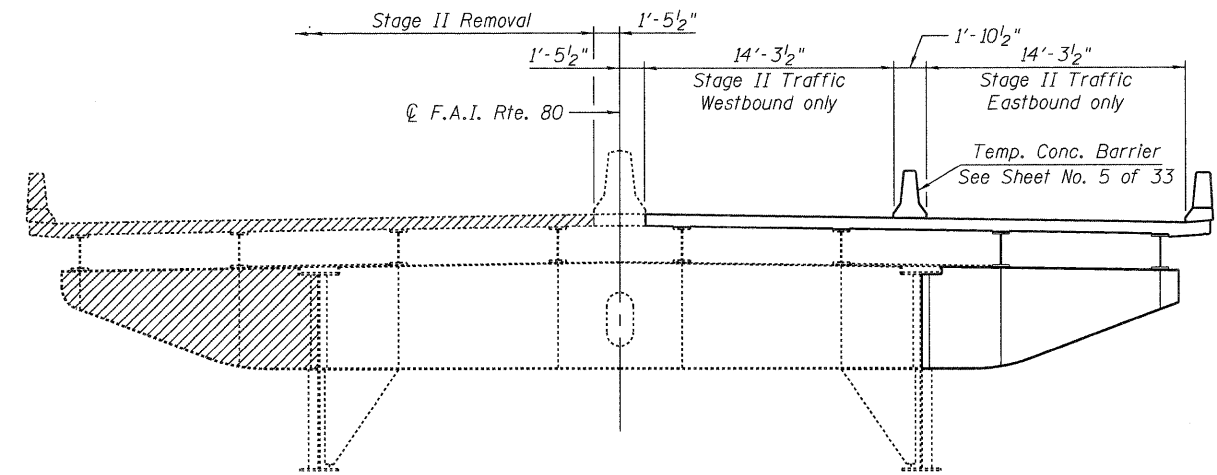


STATE OF ILLINOIS
DEPARTMENT OF TRANSPORTATION



STAGE I REMOVAL

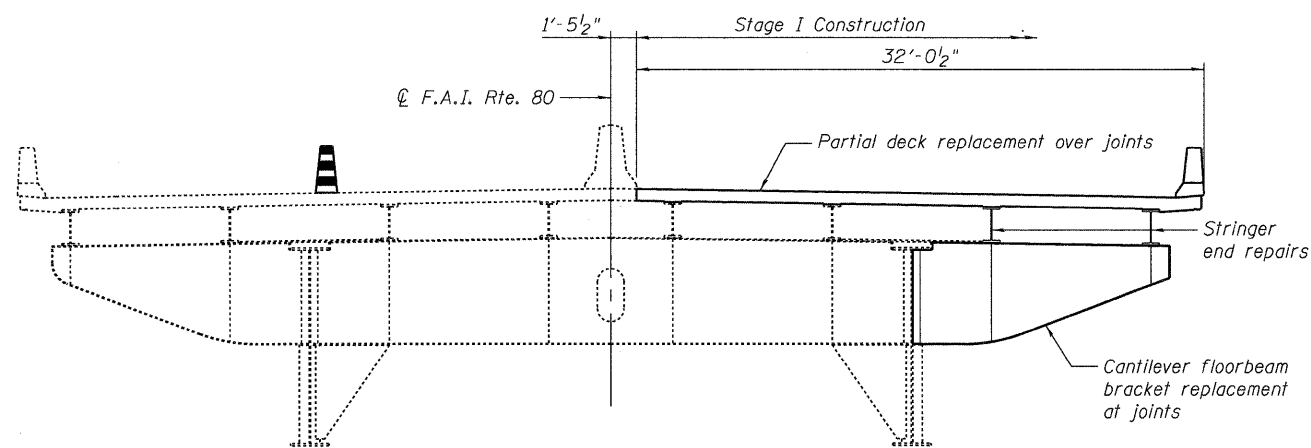
(Looking Upstation)



STAGE II REMOVAL

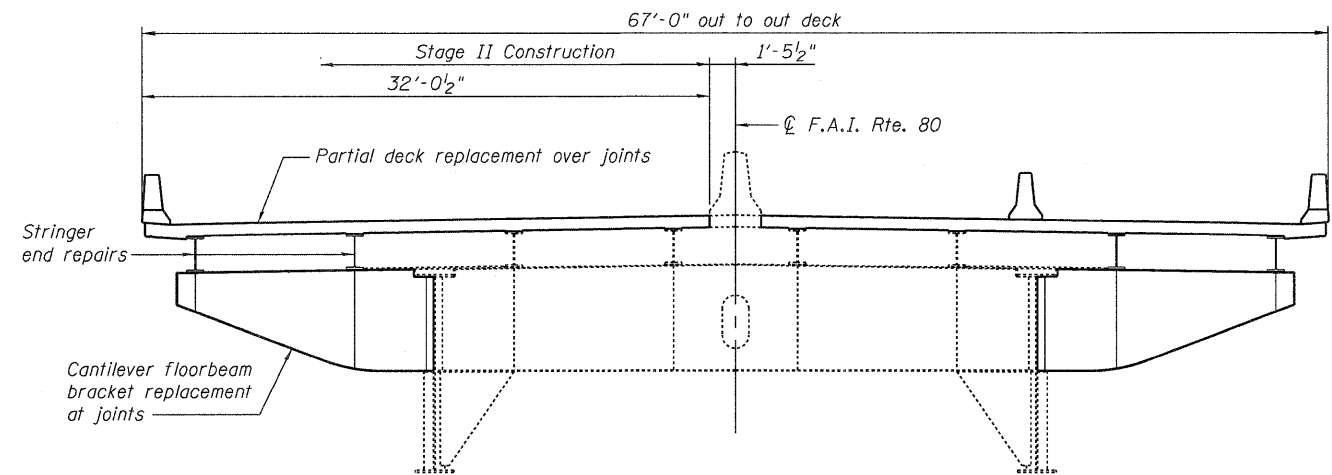
(Looking Upstation)

Note: Cross section of single girder span shown, double girder span similar.



STAGE I CONSTRUCTION

(Looking Upstation)



STAGE II CONSTRUCTION

(Looking Upstation)

STAGE CONSTRUCTION

Stage I:

1. Place Type II barricades or similar to carry one 14'-0" lane in the westbound direction on the East half of the bridge.
2. Remove part of deck joint and concrete deck at locations per Sheet Nos. 6 and 7 of 33.
3. Install temporary support for concrete decks and stringer end repairs. See Sheet No. 10 of 33 for conceptual details.
4. Remove stringer ends and cantilever floorbeam brackets.
5. Install cantilever floorbeam brackets and stringer ends.
6. Perform miscellaneous steel repairs and remove temporary supports.
7. Install deck joints and construct partial concrete deck.

Stage II:

1. Place temporary barrier to carry 14'-3 1/2" lanes in the westbound and eastbound direction on the west half of the bridge.
2. Remove part of deck joint and concrete deck at locations per Sheet Nos. 6 and 7 of 33.
3. Install temporary support for concrete decks and stringer end repairs. See Sheet No. 10 of 33 for conceptual details.
4. Remove stringer ends and cantilever floorbeam brackets.
5. Install cantilever floorbeam brackets and stringer ends.
6. Perform miscellaneous steel repairs and remove temporary supports.
7. Install deck joints and construct partial concrete deck.

Note:

Construction of concrete median shown on Sheet No. 27 of 33 shall be coordinated with Department personnel.

**TYPICAL STAGE CONSTRUCTION
CROSS SECTIONS
I-80 OVER
MISSISSIPPI RIVER
STRUCTURE NO. 081-001**

DESIGNED	YSS
CHECKED	DWP
DRAWN	PRC
CHECKED	YSS



09/17/09

SHEET NO. 4 33 SHEETS	F.A.I. RTE.	SECTION	COUNTY	TOTAL SHEETS	SHEET NO.
	80	(81-1B)M-4	ROCK ISLAND	75	31
SN 081-0011			CONTRACT NO. 64F31		
FED. ROAD DIST. NO. 7 ILLINOIS FED. AID PROJECT					