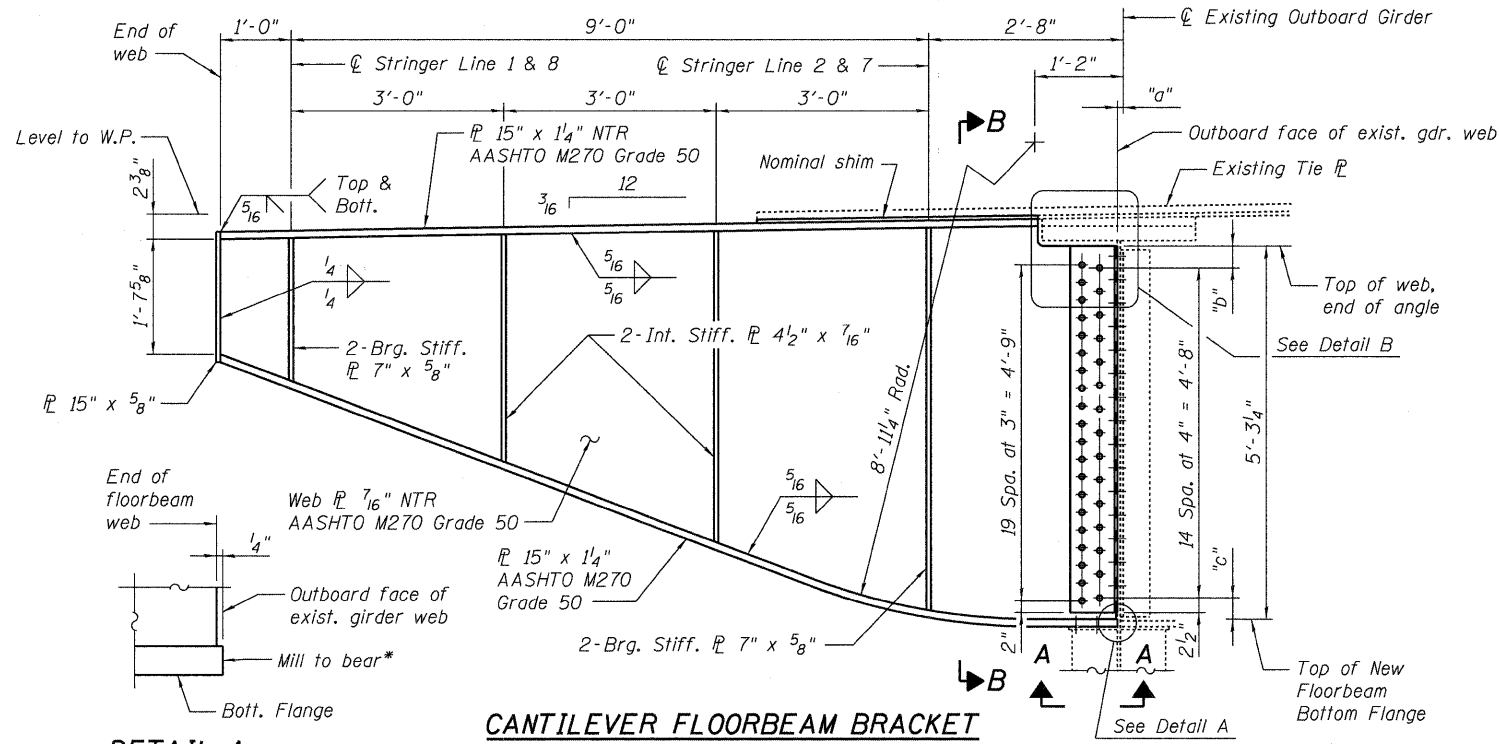


STATE OF ILLINOIS
DEPARTMENT OF TRANSPORTATION

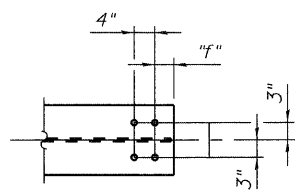


CANTILEVER FLOORBEAM BRACKET

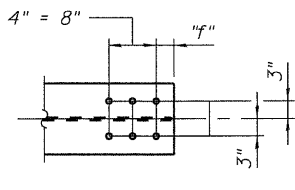
Note:
Load carrying components designated "NTR" shall conform to the supplemental requirement for Notch Toughness, Zone 2 for Fractural Critical Members.

* Edge of flange shall fit within 10/1000" for a minimum 75% of the bearing area.

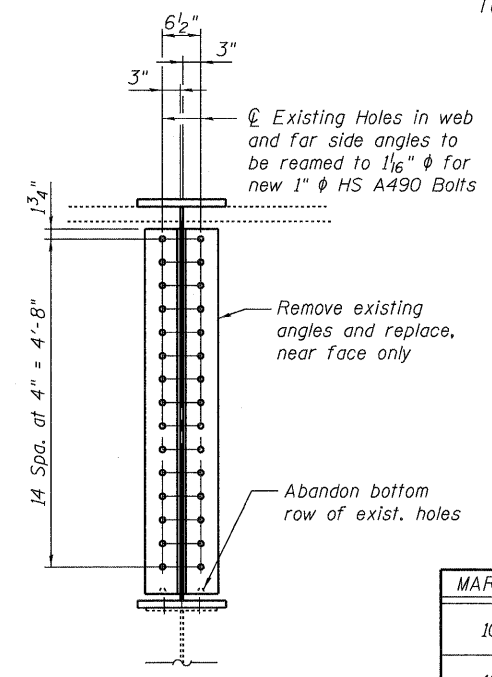
DETAIL A



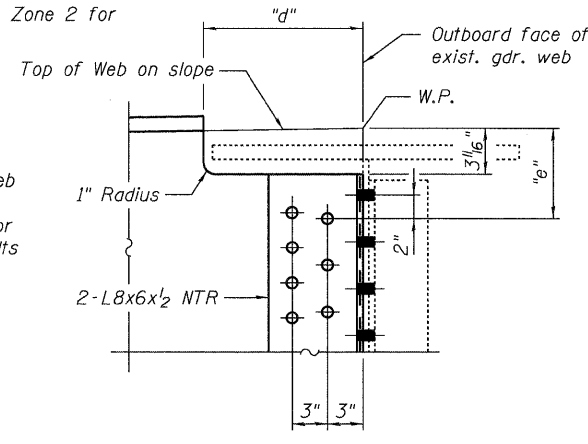
VIEW A-A
1014A, 1014B, 1014C,
1014D, 1014F AND 1014G



VIEW A-A
1014E



SECTION B-B

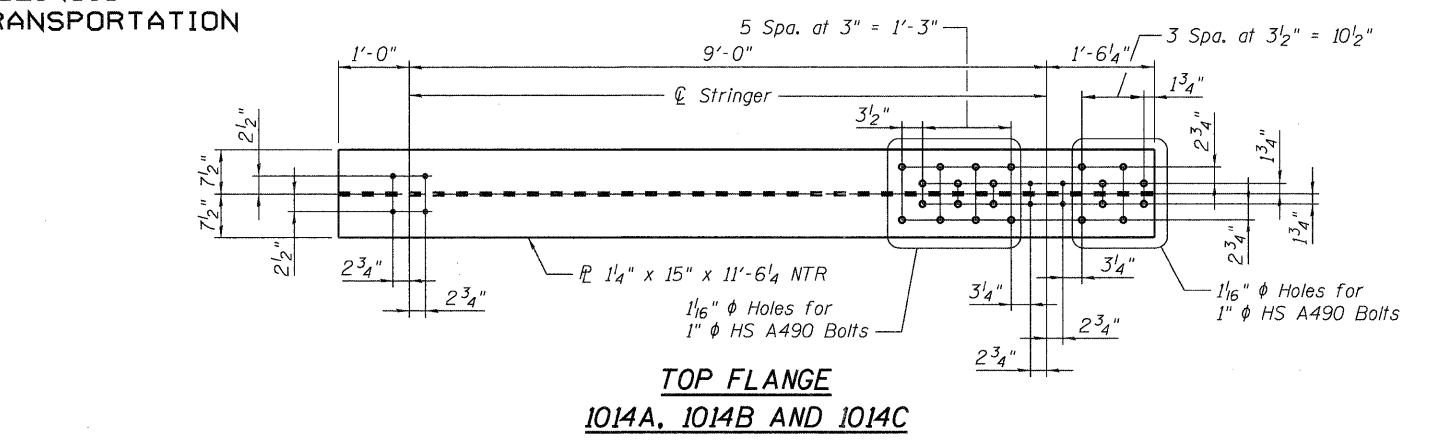


DETAIL B

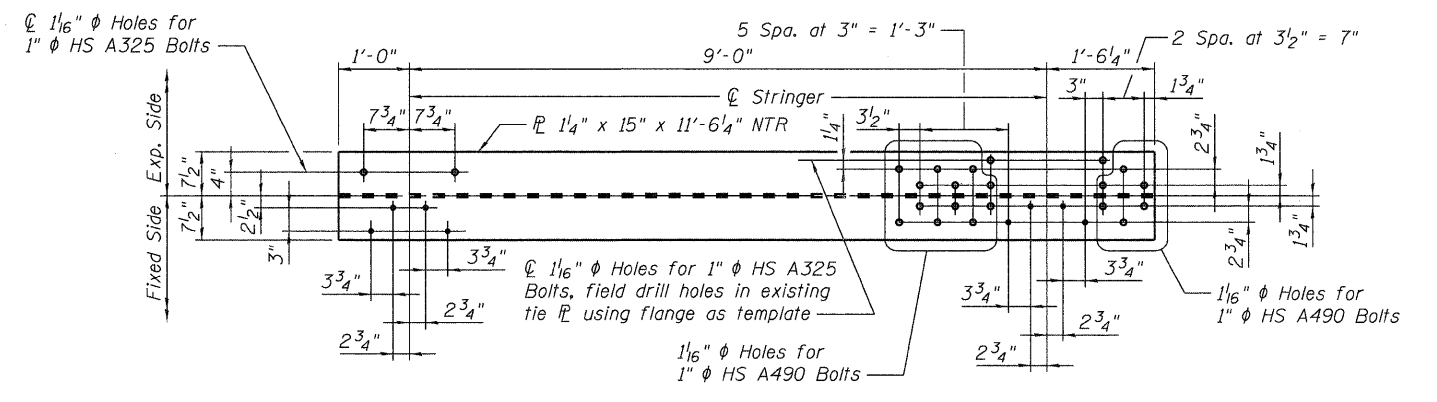
TABLE OF FLOORBEAMS

MARK NO.	SPAN	FLRBM NO.	QUANTITY**
1014A	12	FB7	2
	16	FB1	2
1014B	14	FB3	2
	14	FB15	2
1014C	14	FB4	2
	14	FB14	2
1014D	13	FB3	2
	15	FB4	2
1014E	13	FB7	2
	14	FB18	2
1014F	14	FB7	2
1014G	14	FB11	2

**Includes one on Eastbound and one on Westbound side of bridge.
For FLRBM NO., see Sheet No. 6 of 33.



TOP FLANGE
1014A, 1014B AND 1014C



TOP FLANGE
1014D, 1014E, 1014F AND 1014G

TABLE OF DIMENSIONS

MARK NO.	"a"	"b"	"c"	"d"	"e"	"f"
1014A	1/4"	4"	3 1/4"	1'-1 1/2"	7 1/16"	3 1/4"
1014B	7/16"	4"	3 1/4"	1'-1 5/16"	7 1/16"	3 1/16"
1014C	7/16"	3 3/4"	3 1/2"	1'-1 5/16"	7 1/16"	3 1/16"
1014D	5/16"	4"	3 1/4"	1'-1 7/16"	7 1/16"	3 3/16"
1014E	7/16"	4"	3 1/4"	1'-1 5/16"	7 1/16"	3 1/16"
1014F	3/8"	3 3/4"	3 1/2"	1'-1 3/8"	7 1/16"	3 1/8"
1014G	3/8"	3 3/4"	3 1/2"	1'-1 3/8"	7 1/16"	3 1/8"

Notes:
1 1/16" phi Holes for 7/8" phi HS A325 Bolts unless otherwise noted.
Structural steel shall be AASHTO M270 Grade 36, except as noted.
Reference to cantilever floorbeam mark numbers are from 1965 original shop drawings.
All cantilever floorbeams shall be set normal to profile grade.
For cantilever floorbeam moment and shear tables, see Sheet No. 3 of 33.
For stiffener welding details, see Sheet No. 8 of 33.
Cost of removal of existing cantilever floorbeams shall be included in Structural Steel Removal.
Cost of new cantilever floorbeam shall be included in Furnishing and Erecting Structural Steel.

CANTILEVER FLOORBEAM REPLACEMENT
DOUBLE GIRDER SPANS
I-80 OVER
MISSISSIPPI RIVER
STRUCTURE NO. 081-0011

DESIGNED YSS
CHECKED ACK
DRAWN PRC
CHECKED YSS
09/17/09



SHEET NO. 9 33 SHEETS	F.A.I. RTE. 80	SECTION (81-1B)M-4	COUNTY ROCK ISLAND	TOTAL SHEETS 75	SHEET NO. 36
	SN 081-0011		CONTRACT NO. 64F31		
FED. ROAD DIST. NO. 7 ILLINOIS FED. AID PROJECT					