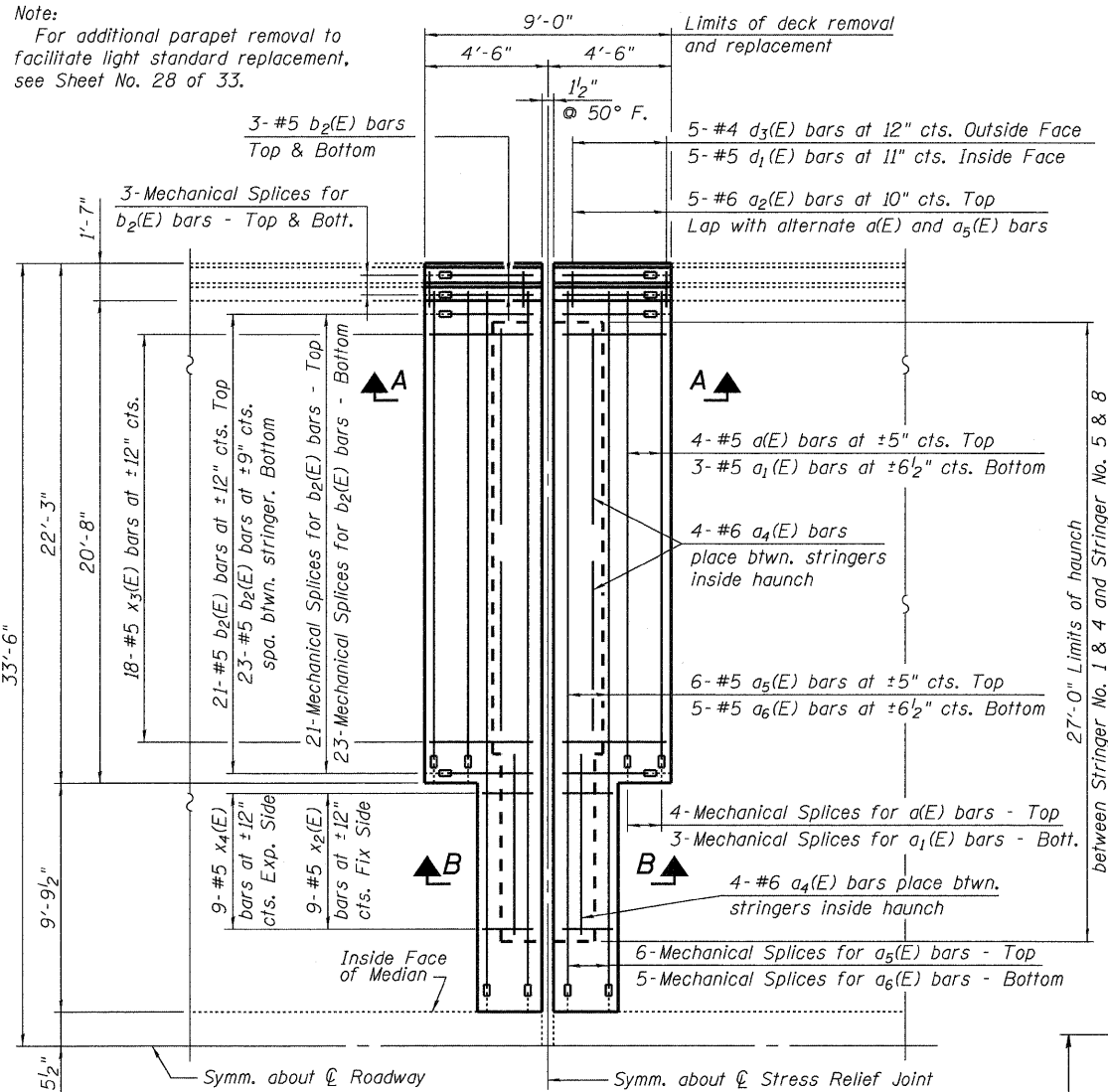
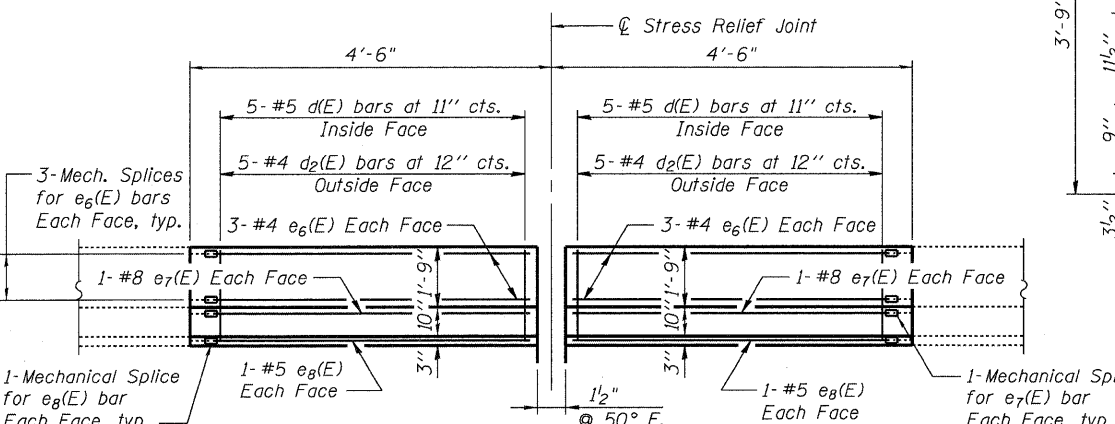


Note:  
For additional parapet removal to facilitate light standard replacement, see Sheet No. 28 of 33.



**PARTIAL DECK PLAN AT STRESS RELIEF JOINT**

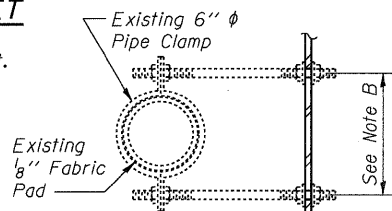
21 Locations, except for locations shown on Sheet No. 26 of 33.



**INSIDE ELEVATION OF PARAPET**

Note:  
Remove and replace conduit runs in parapet. Cost included with Concrete Superstructure.

DESIGNED	YSS
CHECKED	DWP
DRAWN	PRC
CHECKED	YSS

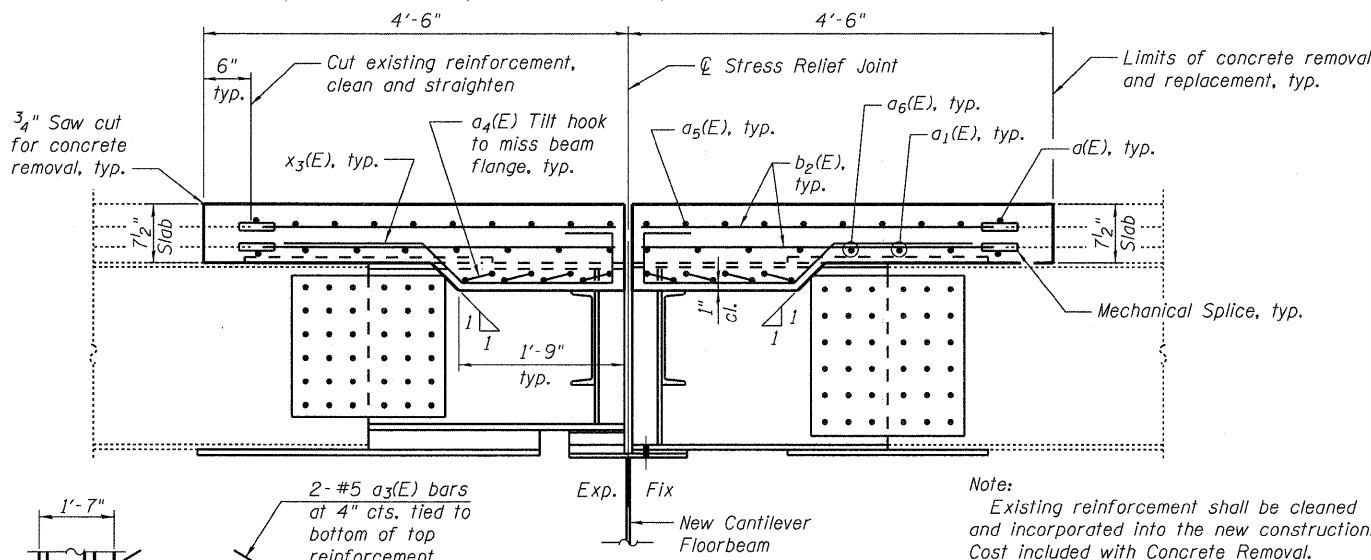


**SECTION C-C**

Note B: Dimension as required by Pipe Clamp

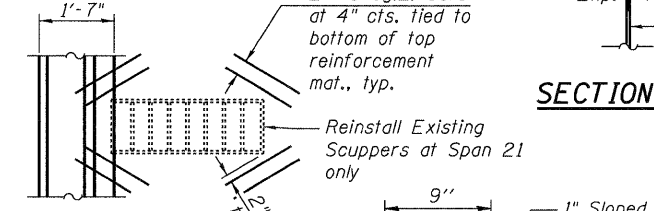
**STATE OF ILLINOIS  
DEPARTMENT OF TRANSPORTATION**

Note:  
For details of preformed joint strip seal, See No. sheet 30 of 33.



**SECTION A-A**

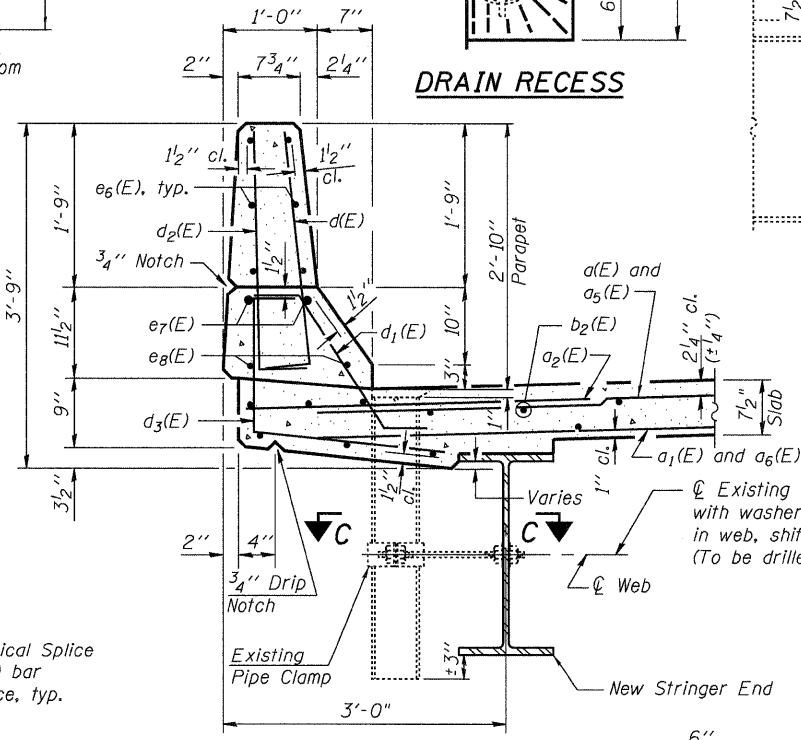
Note:  
Existing reinforcement shall be cleaned and incorporated into the new construction. Cost included with Concrete Removal.



**PLAN AT SCUPPER**

2 Locations  
Note: Cut longitudinal reinforcement to clear drainage scuppers.

**DRAIN RECESS**

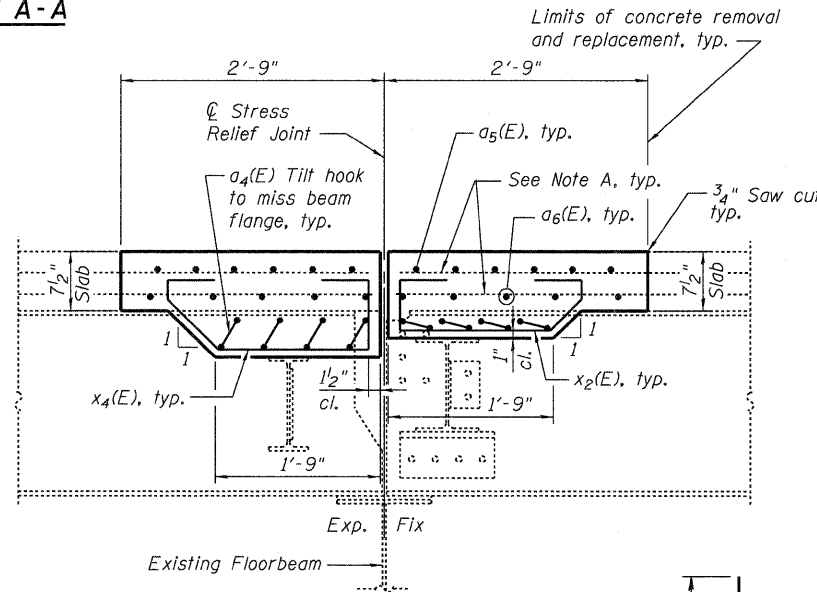


**SECTION THRU PARAPET**

Showing reinstalled Existing Floor Drain at Span 14, 4 locations

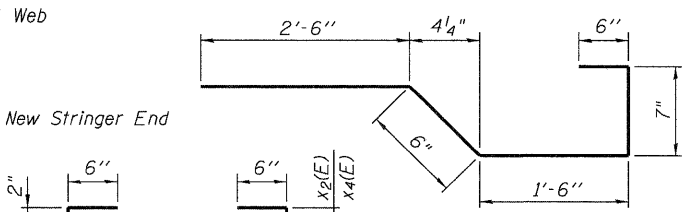
**a1(E) BAR**

**BAR x2(E) AND x4(E)**



**SECTION B-B**

Note A:  
Existing longitudinal slab reinforcement to remain in place, clean, straighten and incorporate into repair



**BAR x3(E)**

**BARS d(E) & d2(E) BAR d1(E) BAR d3(E)**

**PARTIAL DECK REMOVAL AND REPLACEMENT AT RELIEF JOINTS - 1 I-80 OVER MISSISSIPPI RIVER STRUCTURE NO. 081-0011**

**SUPERSTRUCTURE  
BILL OF MATERIAL**

Bar	No.	Size	Length	Shape
* a(E)	420	#5	21'-3"	—
** a1(E)	336	#5	20'-6"	—
a2(E)	420	#6	6'-0"	—
a3(E)	16	#5	2'-0"	—
a4(E)	1008	#6	10'-1"	—
*** a5(E)	588	#5	31'-1"	—
**** a6(E)	504	#5	30'-4"	—
b2(E)	4200	#5	3'-8"	—
d(E)	420	#5	3'-0"	—
d1(E)	420	#5	2'-7"	—
d2(E)	420	#4	3'-0"	—
d3(E)	420	#4	3'-11"	—
e6(E)	504	#4	3'-8"	—
e7(E)	168	#8	3'-8"	—
e8(E)	168	#5	3'-8"	—
x2(E)	378	#5	3'-9"	—
x3(E)	1512	#5	5'-7"	—
x4(E)	378	#5	4'-2"	—
Reinforcement Bars, Epoxy Coated	Pound		106,490	
Concrete Removal	Cu. Yd.		289.3	
Concrete Superstructure	Cu. Yd.		354.7	
Mechanical Splice	Each		6888	

Notes:  
Reinforcement bars designated (E) shall be epoxy coated.  
\* 1 additional bar included, per set of 4, to make up for possible shortage.  
\*\* 1 additional bar included, per set of 3, to make up for possible shortage.  
\*\*\* 1 additional bar included per set of 6, to make up for possible shortage.  
\*\*\*\* 1 additional bar included per set of 5, to make up for possible shortage.

SHEET NO. 25	F.A.I. RTE.	SECTION	COUNTY	TOTAL SHEETS	SHEET NO.
33 SHEETS	80	(81-1B)M-4	ROCK ISLAND	75	52
SN 081-0011			CONTRACT NO. 64F31		
FED. ROAD DIST. NO. 7 ILLINOIS FED. AID PROJECT					

09/17/09