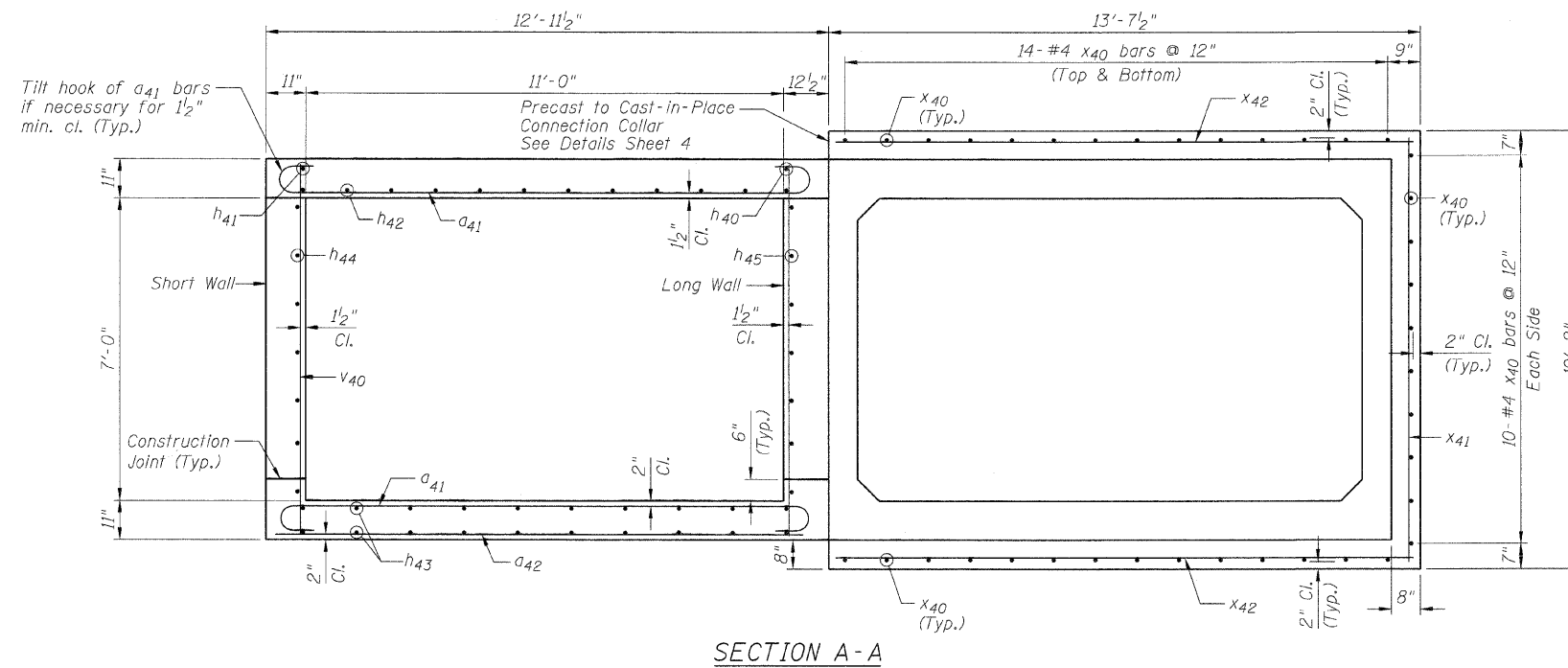
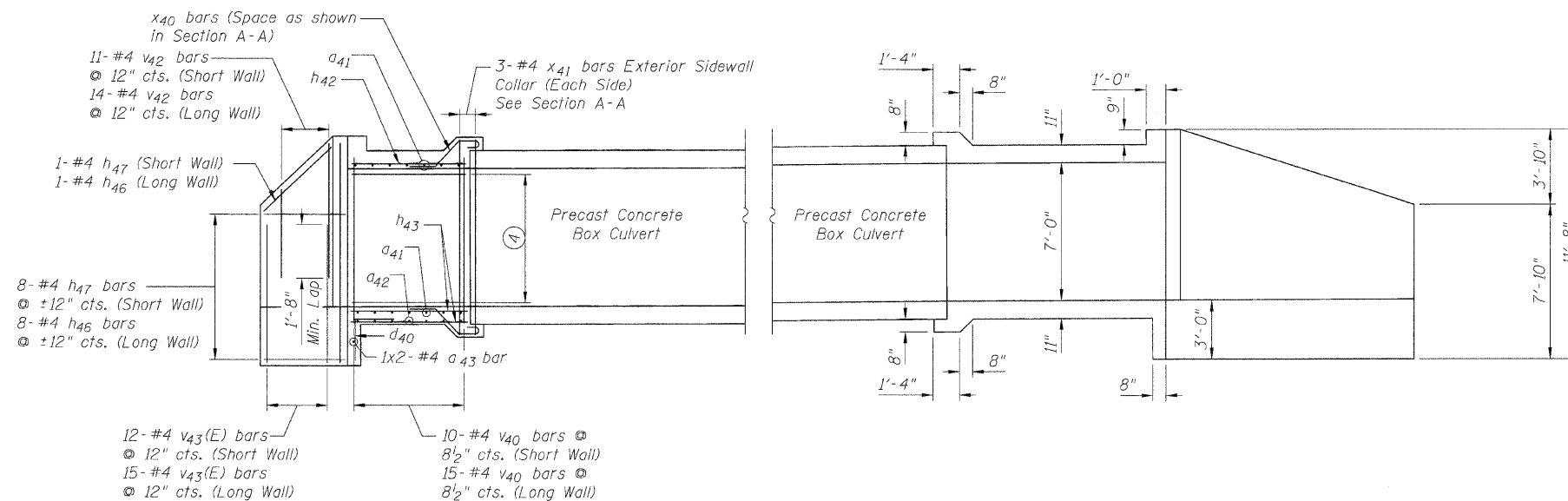


STATE OF ILLINOIS  
DEPARTMENT OF TRANSPORTATION

ROUTE NO.	SECTION	COUNTY	STATIONING SHEETS	SHEET NO.	SHEET NO. 3 8 SHEETS
F.A.P. 311	*	LaSalle	66 44	44	
FED. ROAD DIST. NO. 7	ILLINOIS	FED. AID PROJECT	* (3)BR-1,2,3 & (4)BR Contract #66741		



SECTION A-A



ELEVATION

NOTES

- ④ 7-#6 h44 bars @ 12" cts. (Short Wall)
- 7-#6 h45 bars @ 12" cts. (Long Wall)
- \* Cut bar, see Cut Diagrams on Sheet 4
- \*\* a bars in skew portion of slab shall be ordered full length & cut to fit. Balance of bar to be used in opposite end of culvert.
- Bars indicated thus 1x2-#4 etc. indicates 1 line of bars with 2 lengths per line.

DESIGNED	LAS
CHECKED	JLA
DRAWN	SAW
CHECKED	LAS

CULVERT SECTIONS  
IL 71 OVER MISSION CREEK  
FAP ROUTE 311  
SECTION (3)BR-1,2,3 & (4)BR  
LASALLE COUNTY  
STA. 641+18.00  
S.N. 050-2050