

STATE OF ILLINOIS  
DEPARTMENT OF TRANSPORTATION

ROUTE NO.	SECTION	COUNTY	TOTAL SHEETS	SHEET NO.
F.A.P. 311	*	LaSalle	66	46
FED. ROAD DIST. NO. 7	ILLINOIS	FED. AID PROJECT		

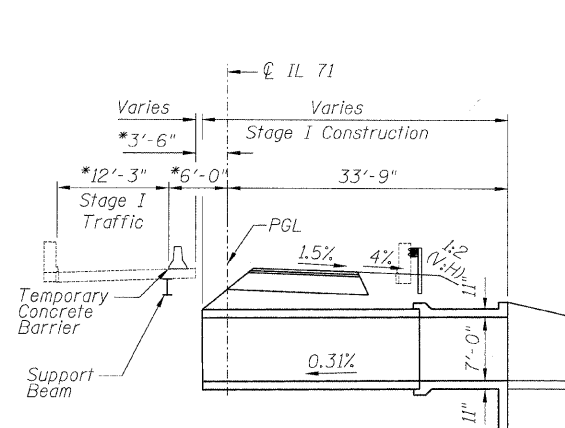
SHEET NO. 5

8 SHEETS

\*(3)BR-1,2,3 & (4)BR Contract #66741

NOTES

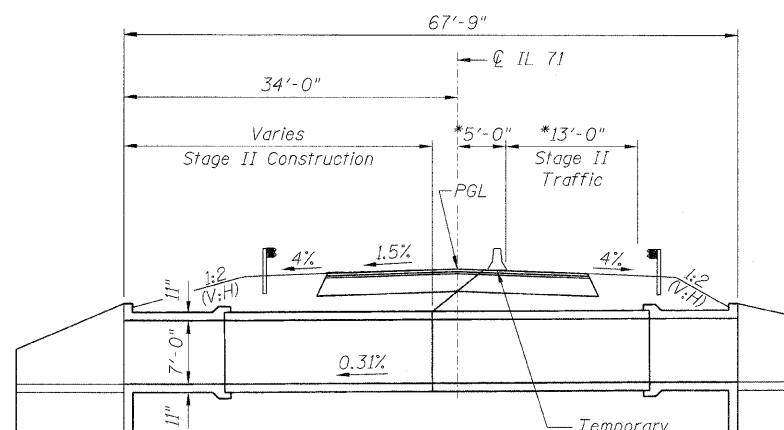
1. A cantilevered sheet piling design does not appear feasible and additional members or other retention systems may be necessary. The Contractor shall submit a temporary soil retention system design including plan details and calculations for review and acceptance by the Engineer.
2. The Contractor shall connect the first sheet to the existing abutment wall to ensure stability of sheets driven to the top of the existing footing. This connection shall be reviewed and accepted by the Engineer and included in the cost for Temporary Soil Retention System.
3. Prior to removal of existing structure, install support beam for existing slab as shown and detailed on Slab Support Details sheet.
4. Excavation behind existing abutment walls shall be performed to balance front and back soil pressure before removing the existing superstructure. The Contractor shall sawcut the upper portion of the existing abutment at the stage removal line before Stage I removal to ensure the remaining portion will not be prematurely damaged.
5. The Contractor is advised that the existing concrete slab is in a deteriorated condition with reduced load carrying capacity. It is the Contractor's responsibility to account for the condition of the slab when developing construction procedures.
6. If the Contractor's construction procedure involves placement of cranes or other heavy equipment on the bridge, a detailed procedure shall be submitted to the Engineer for approval. The procedure shall include calculations, prepared and sealed by an Illinois Licensed Structural Engineer, verifying that the equipment and procedure used will not overstress the existing concrete slab. To distribute load and protect the existing surface, in all cases a double layer mat of heavy timbers shall be used at all times under crane tracks or wheels and any outriggers in the down position. If necessary, shims shall be used under the crane mat to ensure uniform contact with the underlying slab.



STAGE I

(Looking Northeast)

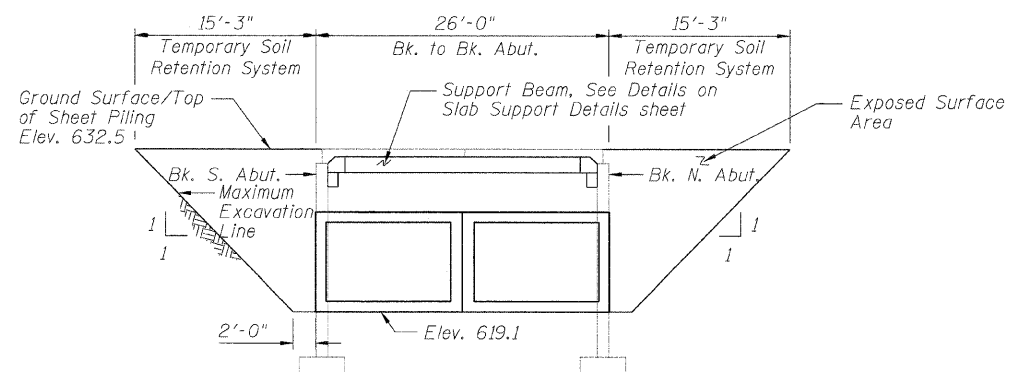
\* Measured Perpendicular to Roadway



STAGE II

(Looking Northeast)

\* Measured Perpendicular to Roadway



TEMPORARY SOIL RETENTION SYSTEM

BILL OF MATERIAL

ITEM	UNIT	TOTAL
Removal of Existing Structures	Each	1
Temporary Soil Retention System	Sq. Ft.	232

DESIGNED	LAS
CHECKED	JLA
DRAWN	SAW
CHECKED	LAS

STAGE CONSTRUCTION  
IL 71 OVER MISSION CREEK  
FAP ROUTE 311  
SECTION (3)BR-1,2,3 & (4)BR  
LASALLE COUNTY  
STA. 641+18.00  
S.N. 050-2050