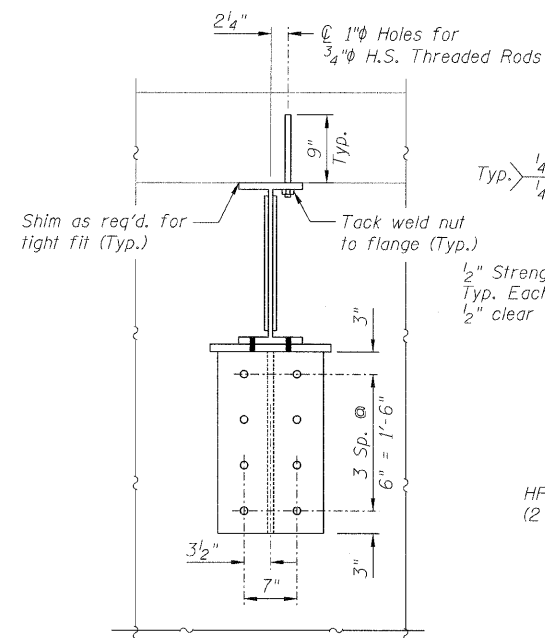


STATE OF ILLINOIS
DEPARTMENT OF TRANSPORTATION

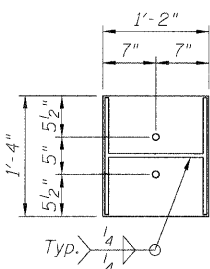
ROUTE NO.	SECTION	COUNTY	SHEET	SHEET NO.
F.A.P. 311	*	LaSalle	66	47
FED. ROAD DIST. NO. 7 ILLINOIS FED. AID PROJECT				
*(3)BR-1,2,3 & (4)BR Contract #66741				

* \varnothing Threaded rods (1 per span) Place additional tapered shims at midpoints between threaded rod and abutment face. Securely weld shims to top flange to support beam. Minimum shim size is 6" x flange width.

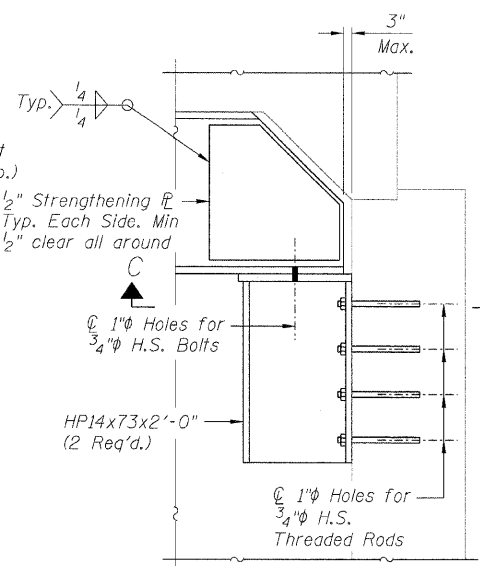
**Contractor is to verify beam length prior to ordering material. Other sections meeting the section modulus requirements shown may be allowed subject to approval by the Bureau of Bridges and Structures. Maximum girder depth = 24". No additional payment will be allowed if the Contractor chooses a heavier steel section than the one specified in the plans.



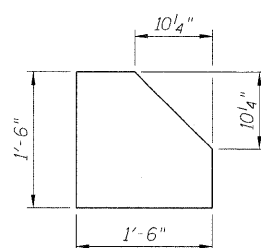
SECTION A-A
(Typical End Section)



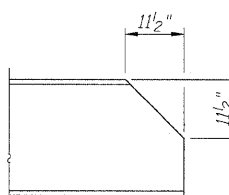
SECTION C-C
PL 1"x1'-2"x1'-4"
(2 Req'd.)



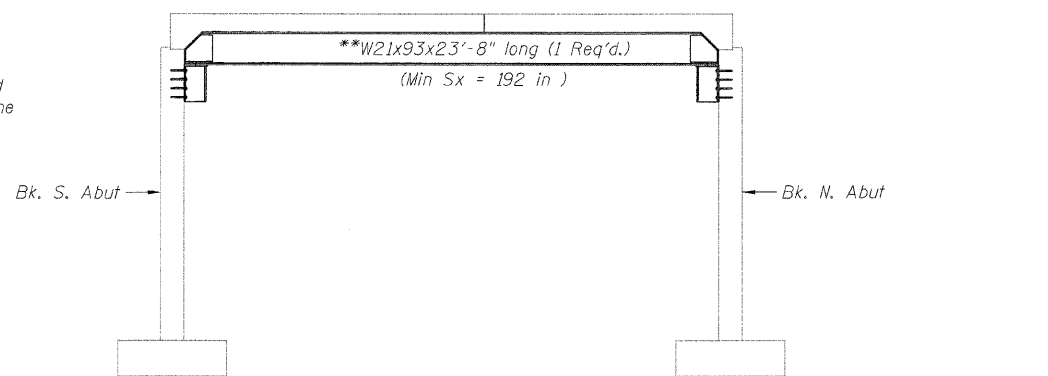
SECTION B-B
(Typical End Section)



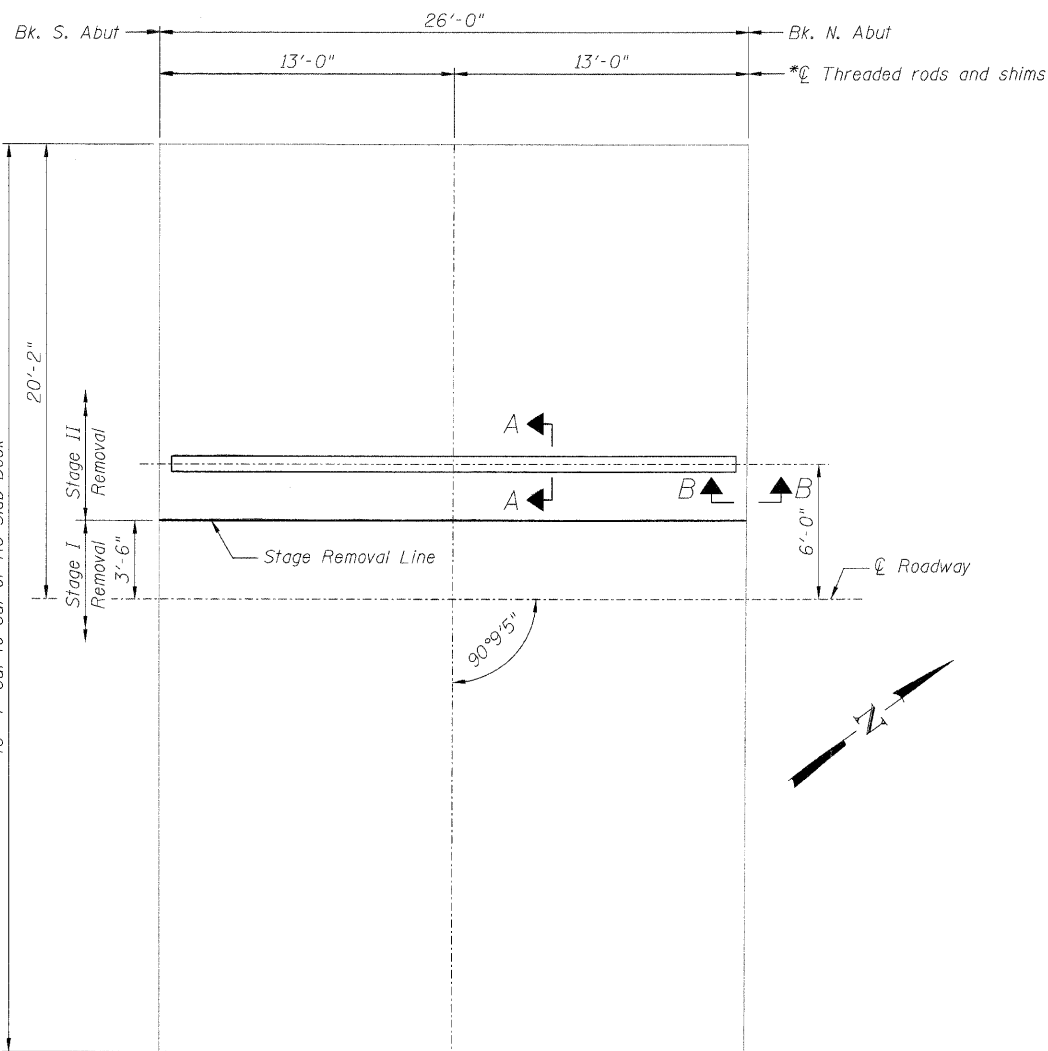
STRENGTHENING PLATE
PL 1/2"x1'-6"x1'-6"
(4 Req'd.)



TYPICAL W SECTION
END CUT DETAIL



ELEVATION



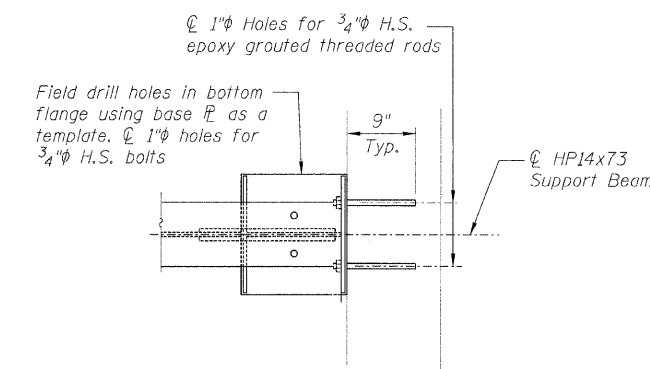
PLAN

GENERAL NOTES

All structural steel shall conform to AASHTO Classification M-270 Gr. 36, unless otherwise noted.
Plan dimensions and details relative to existing plans are subject to routine variations. The Contractor shall field verify existing dimensions and details affecting new construction and make necessary approved adjustments prior to construction or ordering of materials. Such variations shall not be cause for additional compensation for a change in the scope of work, however, the Contractor will be paid for the quantity actually furnished based upon the unit price bid for the work.
See Section 584 of the Standard Specifications for Epoxy Grouting of Threaded Rods: Minimum Embedment 9".
The cost of epoxy grouting threaded rods on the abutments and slab shall be included with Furnishing and Erecting Structural Steel.
The Contractor has the option of using used steel. See Special Provisions.

BILL OF MATERIAL

ITEM	UNIT	TOTAL
Furnishing and Erecting Structural Steel	Pound	2,870



TYPICAL PLAN AT
SUPPORT BEAM END

SLAB SUPPORT DETAILS
IL 71 OVER MISSION CREEK
FAP ROUTE 311
SECTION (3)BR-1,2,3 & (4)BR
LASALLE COUNTY
STA. 641+18.00
S.N. 050-2050

DESIGNED	LAS
CHECKED	JLA
DRAWN	SAW
CHECKED	LAS