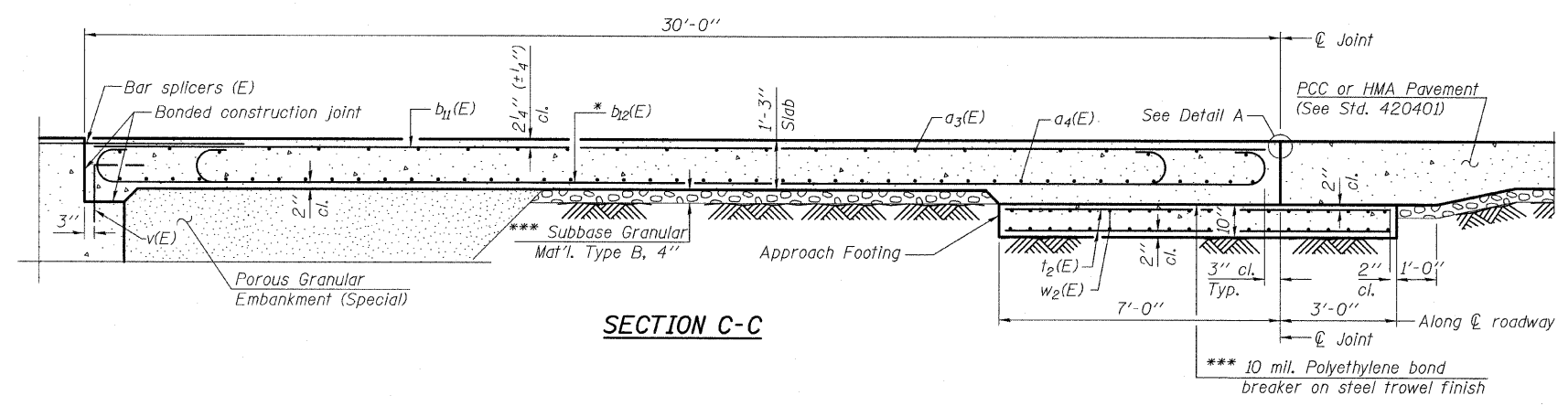
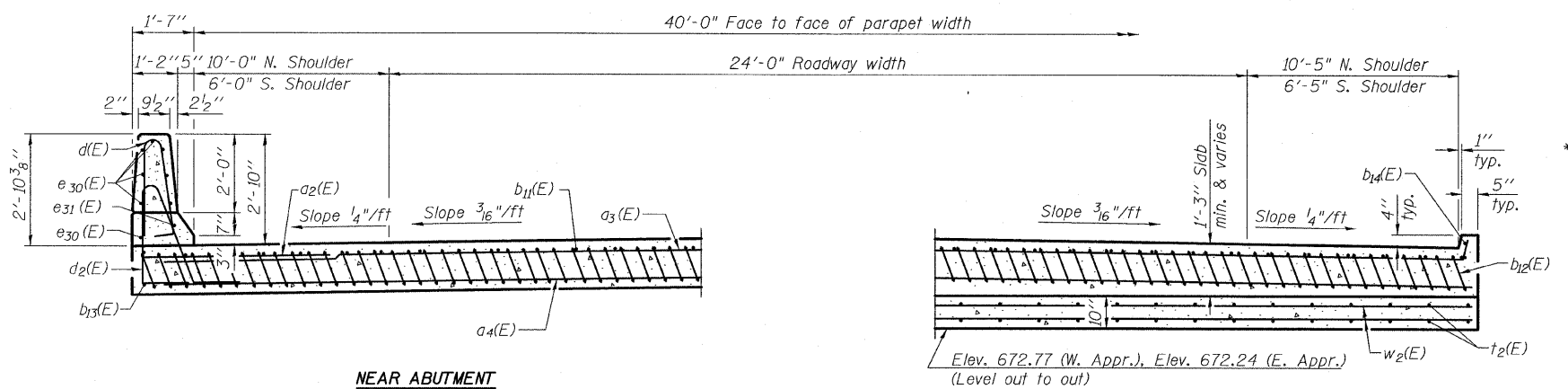


STATE OF ILLINOIS
DEPARTMENT OF TRANSPORTATION

Notes:
See sheet 25 of 59 for Detail A and View B-B.
Approach slab and parapet concrete shall be paid for as Concrete Superstructure.
Approach footing concrete shall be paid for as Concrete Structures.
Reinforcement shall be paid for as Reinforcement Bars, Epoxy Coated.
For v(E) bar details, see sheet 21 of 59.
The approach footing maximum applied service bearing pressure (Qmax) = 2.0 ksf.
For bar splicer details, see sheet 52 of 59.
Cost of excavation for approach footing included with Concrete Structures.
For Porous Granular Embankment (Special) and drainage treatment details, see sheet 2 of 59.



SECTION C-C



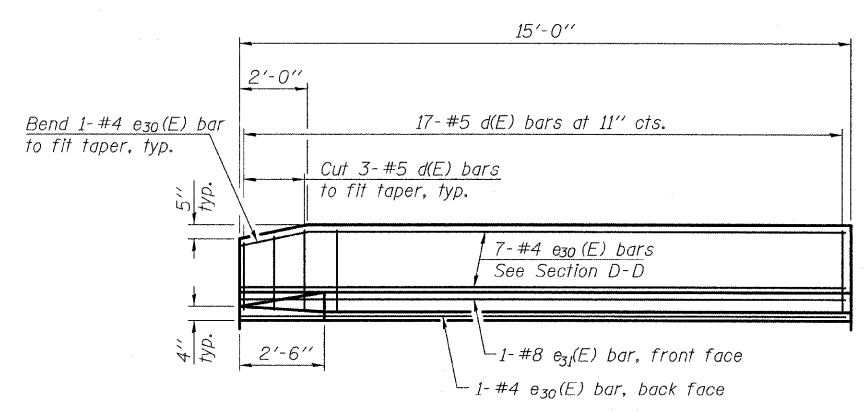
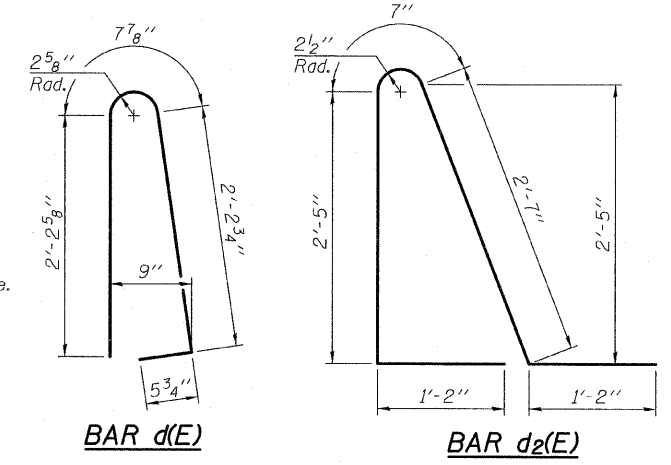
NEAR ABUTMENT

SECTION D-D

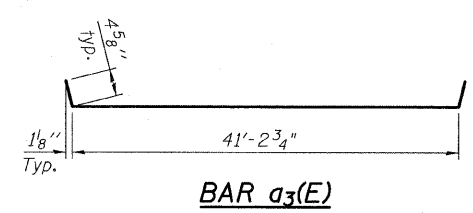
(See Plan for dimensions not shown)

AT APPROACH FOOTING

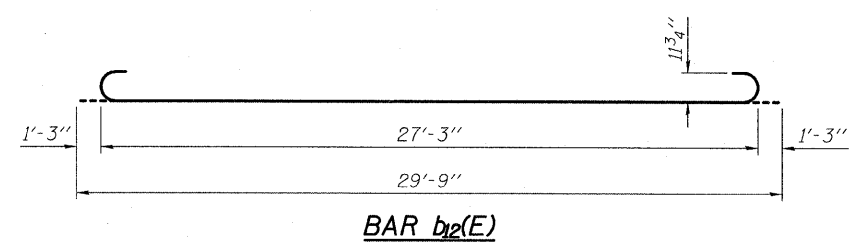
* Tilt #9 b12(E) bars as required to maintain clearance.
*** Cost included with Concrete Superstructure.



VIEW E-E



BAR a3(E)



BAR b12(E)

TWO APPROACHES
BILL OF MATERIAL

Bar	No.	Size	Length	Shape
a2(E)	48	#6	6'-0"	—
a3(E)	50	#4	42'-0"	—
a4(E)	92	#5	41'-6"	—
b11(E)	68	#4	29'-8"	—
b12(E)	200	#9	29'-9"	—
b13(E)	4	#4	14'-8"	—
b14(E)	4	#4	14'-8"	—
d(E)	68	#5	5'-7"	U
d2(E)	68	#5	7'-11"	U
e30(E)	32	#4	14'-8"	—
e31(E)	4	#8	14'-8"	—
t2(E)	168	#4	9'-8"	—
w2(E)	80	#5	41'-6"	—
Concrete Superstructure			Cu. Yd.	126.5
Concrete Structures			Cu. Yd.	25.8
Reinforcement Bars, Epoxy Coated			Pound	33,450

(1) 4,540 pounds of total weight is considered Reinforcement Bars, Epoxy Coated for the Substructure

APPROACH SLAB DETAILS - II
STRUCTURE NO. 006-0171 WB

DESIGNED - IM
CHECKED - PDF
DRAWN - IM
CHECKED - PDF

SHEET NO. 26 59 SHEETS	F.A. RTE. 80	SECTION *	COUNTY BUREAU	TOTAL SHEETS 344	SHEET NO. 120
	CONTRACT NO. 66908				
FED. ROAD DIST. NO.		ILLINOIS	FED. AID PROJECT		

TYLIN INTERNATIONAL