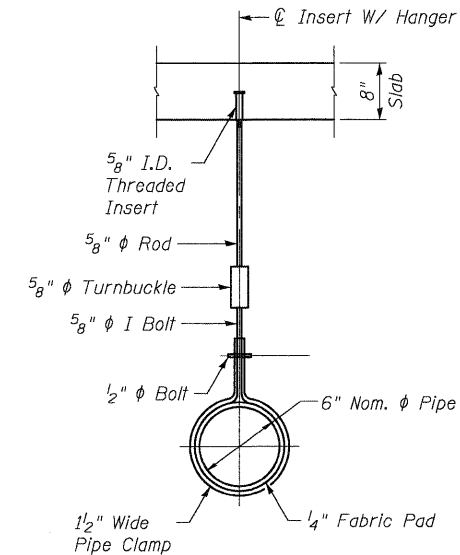


*Max. Hanger Spacing = 10'-6" or as recommended by Pipe Manufacturer.

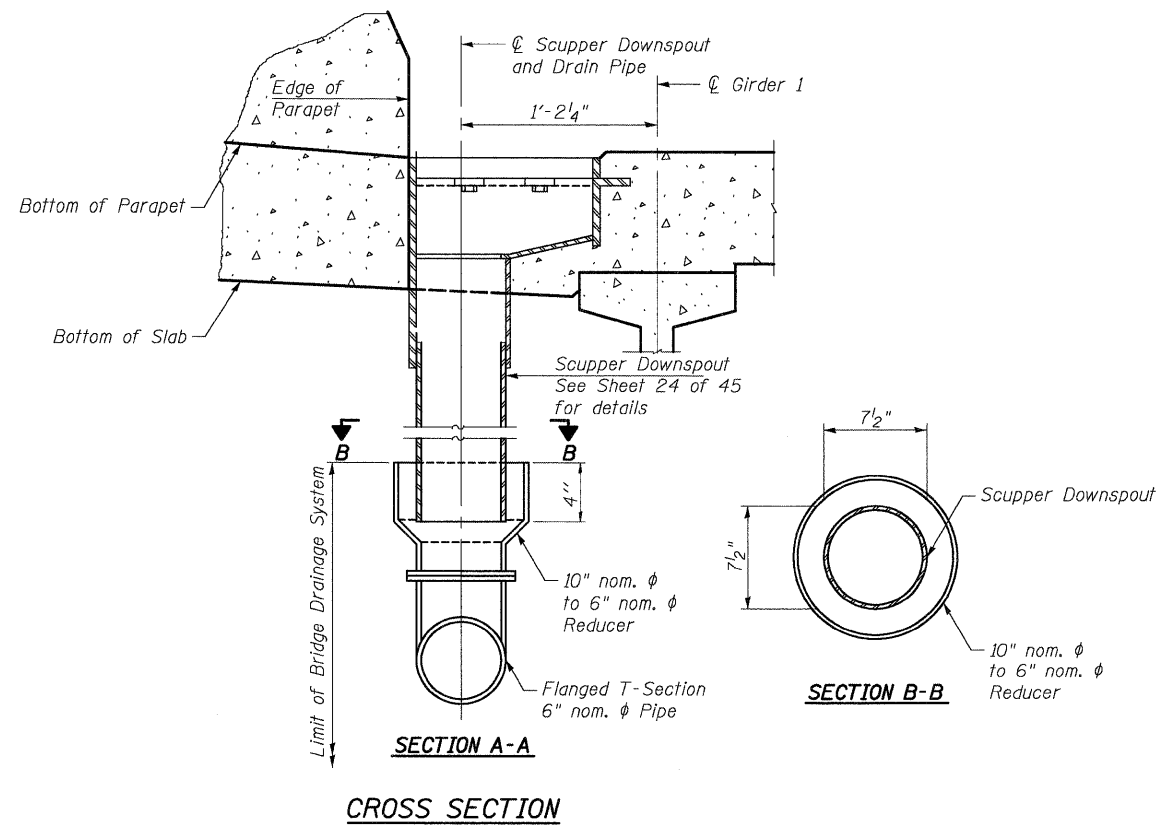
**Scupper with dimension from pier designated with a double asterisk on sheet 2 of 45 require the Drainage System as shown.

ELEVATION VIEW



HANGER DETAIL

Note: Bottom of pipe clamp shall not extend below bottom of beam.



CROSS SECTION

DRAINAGE SYSTEM
SN 006-0172 (EB) & SN 006-0173 (WB)

PLOT DATE = 09/08/2009
 FILE NAME = \\0606172.0173-66908-025-drainage-sys.dgn
 USER NAME = EFC

CB Coombe-Bloxdorf P.C.
 - CIVIL ENGINEERS -
 - STRUCTURAL ENGINEERS -
 - LAND SURVEYORS -
 Design Firm License No. 184-002703

PROJECT NO.	05061
SCALE	
DATE	8/11/09
DESIGN BY	RM/MCB
DRAWN BY	TFG
CHECKED BY	MCB

SHEET NO. 25	F.A.I. RTE.	SECTION	COUNTY	TOTAL SHEETS	SHEET NO.
45 SHEETS	80	*	BUREAU	344	178
CONTRACT NO. 66908					
FED. ROAD DIST. NO. 7 ILLINOIS FED. AID PROJECT					

*06-17BR & BR-1, TVB-M, 6BR & 6, 7 RS-1 & 1J