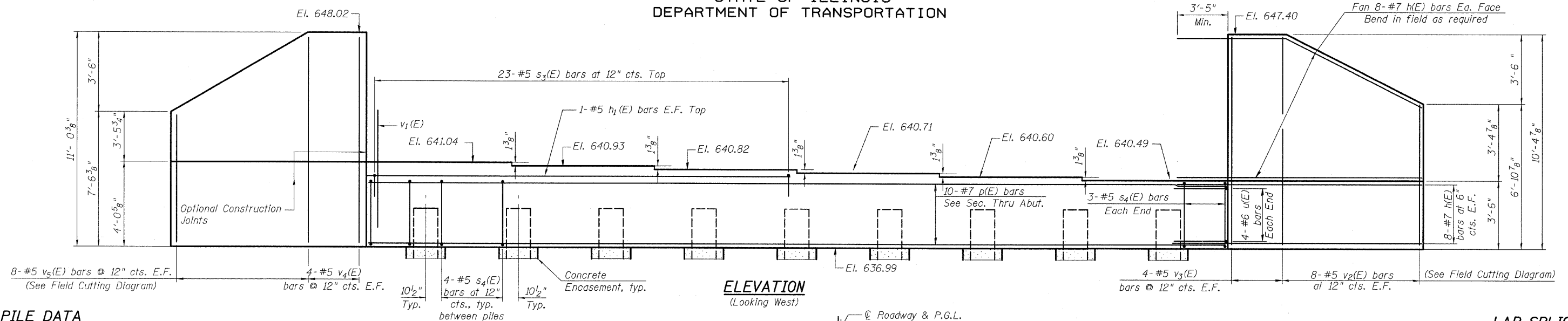


STATE OF ILLINOIS
DEPARTMENT OF TRANSPORTATION



PILE DATA

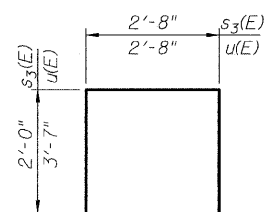
Type: Steel HP14x73
 Nominal Required Bearing: 270 kips
 Allowable Resistance Available: 90 kips
 Est. Length: 57'
 No. Production Piles: 8 Piles
 No. Test Piles: 1 Pile

NOTES:

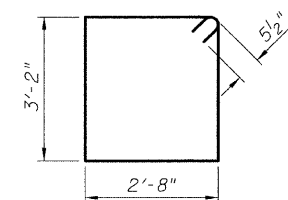
1. Pour steps monolithically with cap.
2. For details of piles and Concrete Encasement, see sheet 33 of 39.

LEGEND

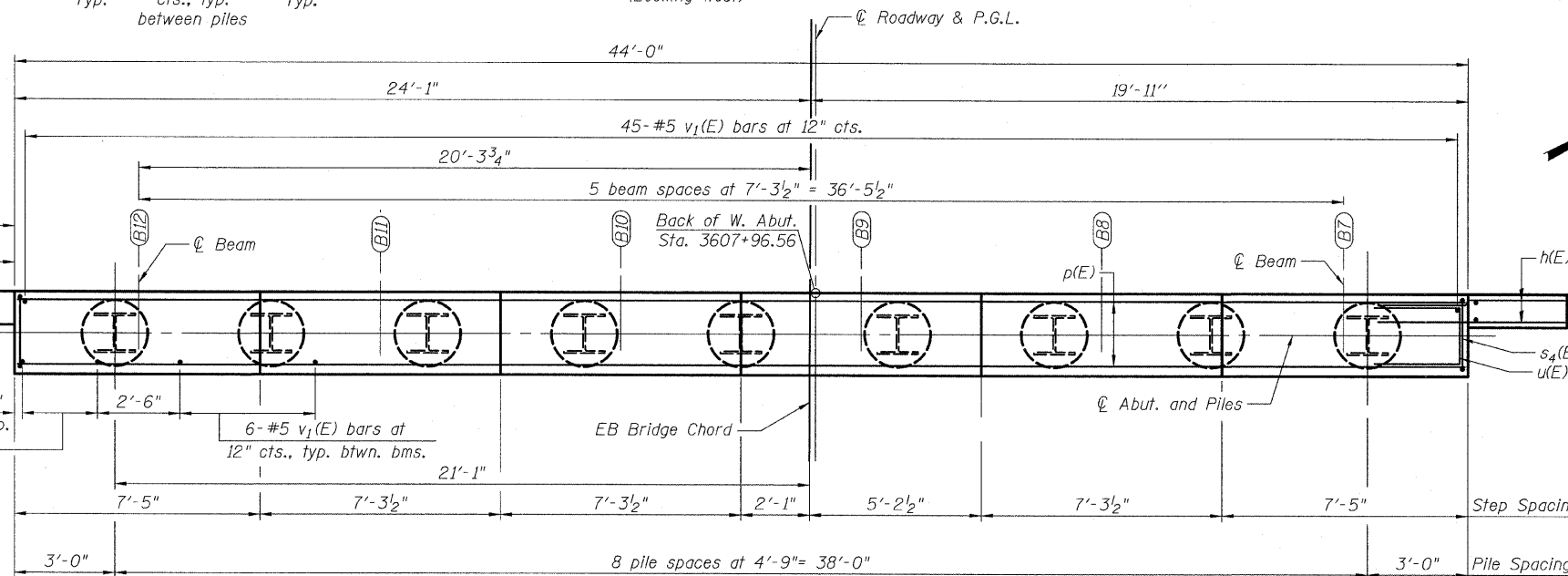
E.F. - Denotes Each Face.



BARS s₃(E) & u(E)



BAR s₄(E)



PLAN

BILL OF MATERIAL

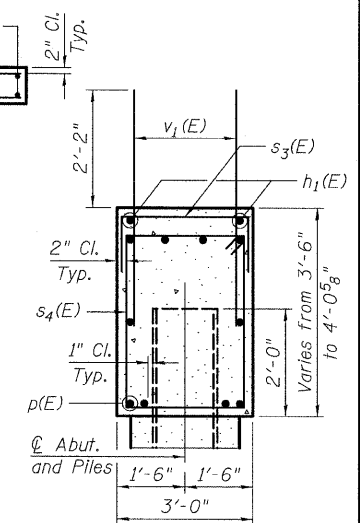
Bar	No.	Size	Length	Shape
h(E)	64	#7	13'-3"	—
h ₁ (E)	2	#5	21'-8"	—
p(E)	10	#7	43'-8"	—
s ₃ (E)	23	#5	6'-8"	□
s ₄ (E)	38	#5	12'-7"	□
u(E)	8	#6	9'-10"	□
v ₁ (E)	81	#5	4'-4"	—
v ₂ (E)	8	#5	16'-8"	—
v ₃ (E)	8	#5	10'-1"	—
v ₄ (E)	8	#5	10'-8"	—

BILL OF MATERIAL

Bar	No.	Size	Length	Shape
v ₅ (E)	8	#5	17'-10"	—
Structure Excavation		CU YD	78	
Concrete Structures		CU YD	25.4	
Reinforcement Bars, Epoxy Coated		POUND	4280	
Furnishing Steel Pile, HP14x73		FOOT	456	
Driving Piles		FOOT	456	
Test Pile Steel, HP14x73		EACH	1	
Concrete Encasement		CU YD	5.0	

LAP SPLICES

Bar	Lap
#4	1'-8"
#5	2'-2"
#6	2'-7"
#7	3'-5"
#8	4'-6"



**WEST ABUTMENT
STRUCTURE NO. 006-0174 (EB)**

DESIGNED	IM/AD
CHECKED	PDF
DRAWN	IM
CHECKED	PDF

SHEET NO. 25 39 SHEETS	F.A. RTE. 80	SECTION *	COUNTY BUREAU	TOTAL SHEETS 344	SHEET NO. 223
	CONTRACT NO. 66908				
FED. ROAD DIST. NO.		ILLINOIS FED. AID PROJECT			

TYLINT INTERNATIONAL