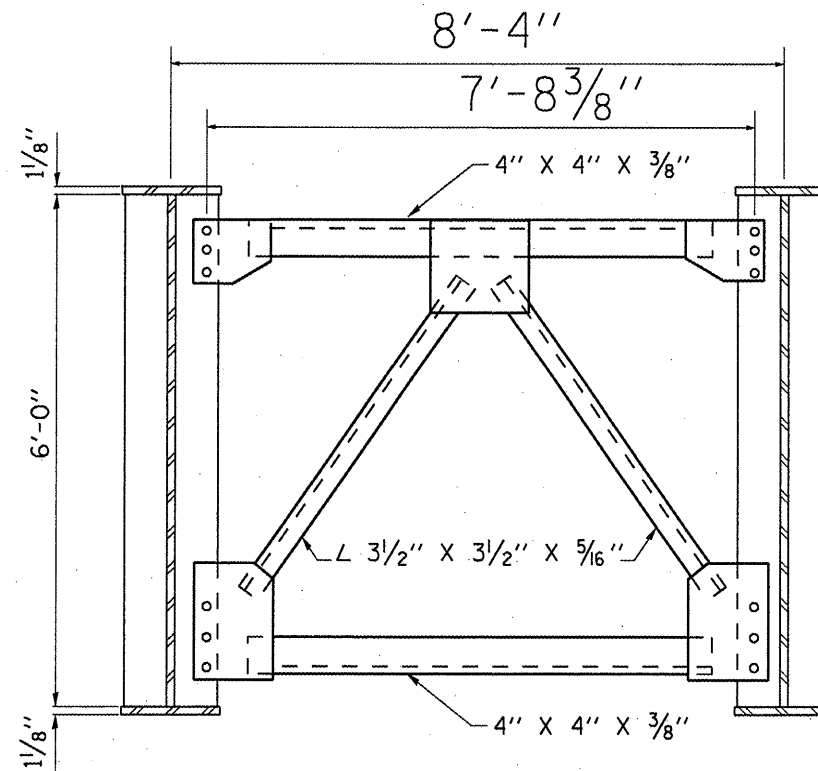
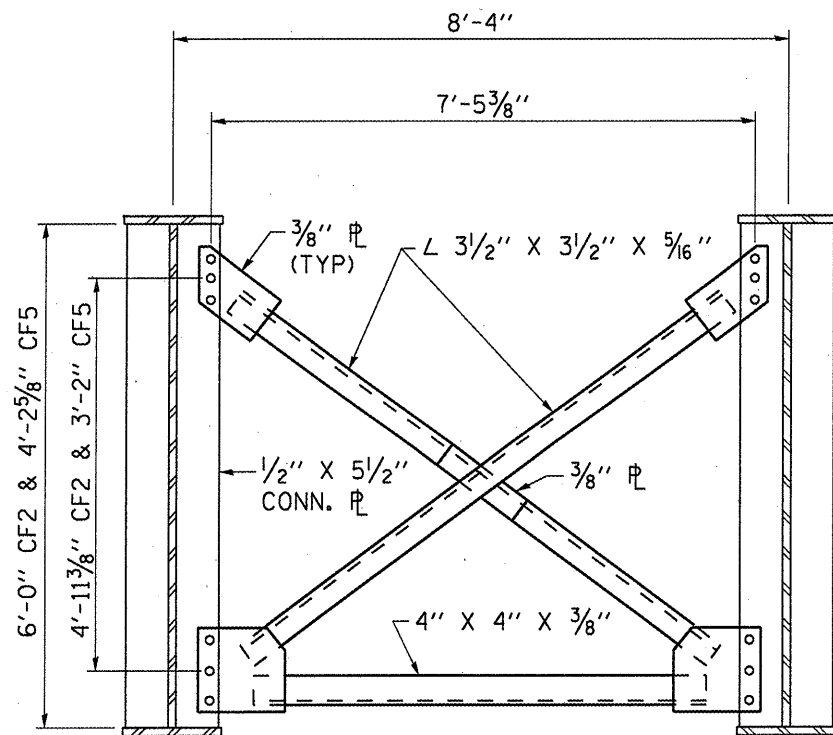


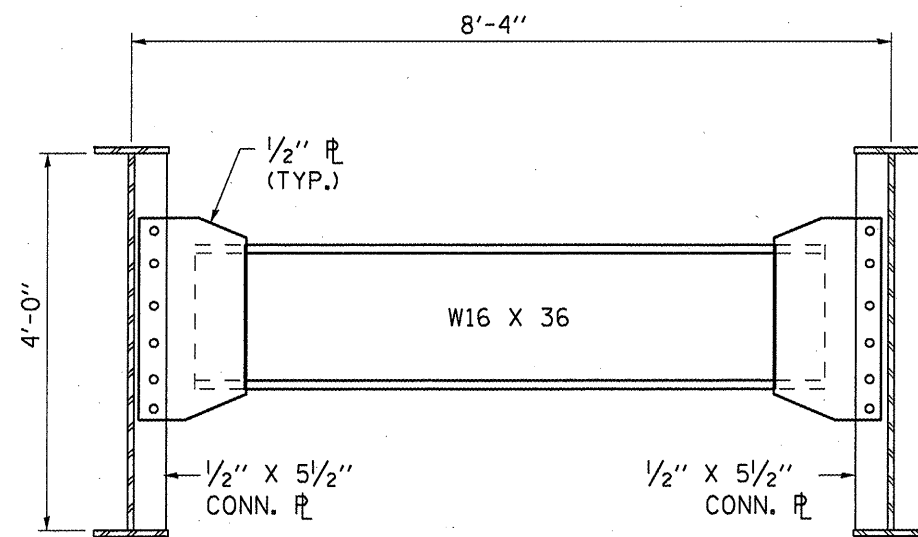
CROSS FRAME CF1
6 REQ'D.



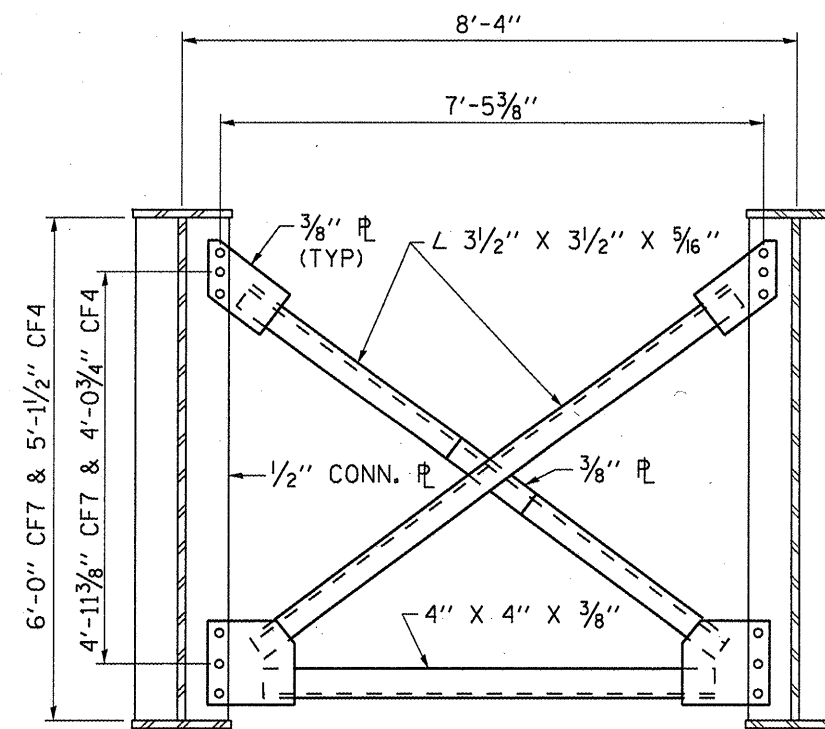
CROSS FRAME CF3
6 REQ'D.



CROSS FRAME CF2 & CF5



CROSS FRAME CF6



CROSS FRAME CF4 & CF7

THIS SHEET FOR INFORMATION ONLY

FILE NAME =	USER NAME = woodshankr1	DESIGNED - RON WOODSHANK	REVISED -
c:\pwwork\pwwid\WOODSHANKR1\d0138619	3366978-details.dgn	DRAWN - RON WOODSHANK	REVISED -
	PLOT SCALE = 100.0000' / IN.	CHECKED -	REVISED -
	PLOT DATE = Aug 25, 2009 - 06:48:54 AM	DATE -	REVISED -

**STATE OF ILLINOIS
DEPARTMENT OF TRANSPORTATION**

**EXISTING STURCTURE PLANS
FOR INFORMATION ONLY**

F.A.I. R.T.E. 57	SECTION (43-3HBRBP)	COUNTY KANKAKEE	TOTAL SHEETS 11	SHEET NO. 11
SCALE: _____	SHEET NO. 3 OF 3 SHEETS	STA. _____ TO STA. _____	ILLINOIS FED. AID PROJECT CONTRACT NO. 66976	