

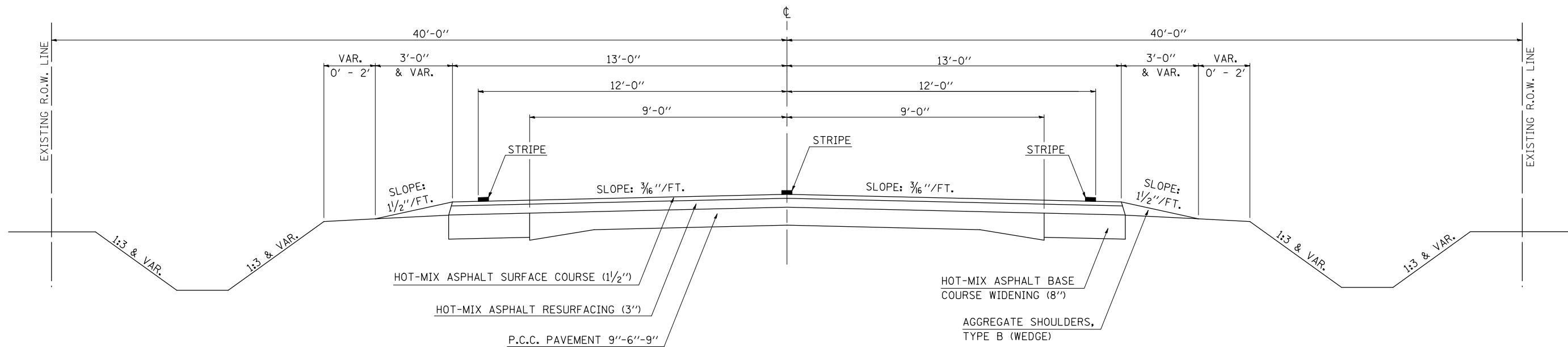
F.A.P. RTE.	SECTION	COUNTY	TOTAL SHEETS	SHEET NO.
80B	*	**	715	13

STA. TO STA.  
FED. ROAD DIST. NO. ILLINOIS FED. AID PROJECT

- (205,57,105)RS-2
- \*\* CHAMPAIGN & DOUGLAS

### EXISTING TYPICAL CROSS SECTION (A)

STATION 297+50.00 TO STATION 320+90.82 (B) STATION EQUATION: 320+90.82 (BACK) = 1000+00.00 (AHEAD)



### EXISTING TYPICAL CROSS SECTION (B)

EXISTING BRIDGE OMISSION  
STA. 2079+10.75 TO STA. 2079+89.25

STATION TO STATION  
 (A) 1000+00.00 TO (C) 1101+91.09  
 (C) 1113+81.39 TO (C) 1118+68.58  
 (C) 1141+66.69 TO (C) 1997+76.55  
 (C) 2009+97.13 TO (C) 2016+92.71  
 (C) 2029+24.90 TO (D) 2306+18.00  
 STATION EQUATION: 1149+47.99 (BACK) = 1997+74.14 (AHEAD)

