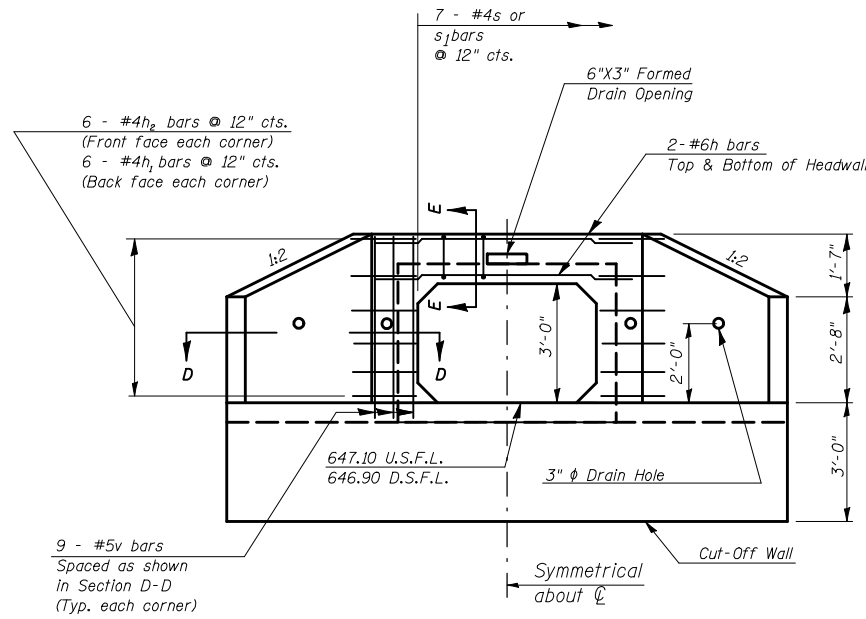
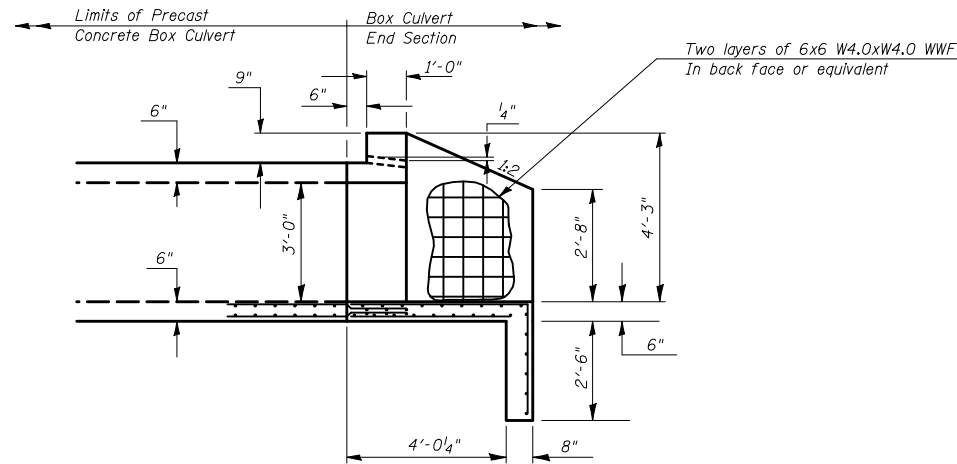


F.A.P. RTE.	SECTION	COUNTY	TOTAL SHEETS	SHEET NO.
808	.	..	715	218

- (205,57,105)RS-2
- CHAMPAIGN & DOUGLAS

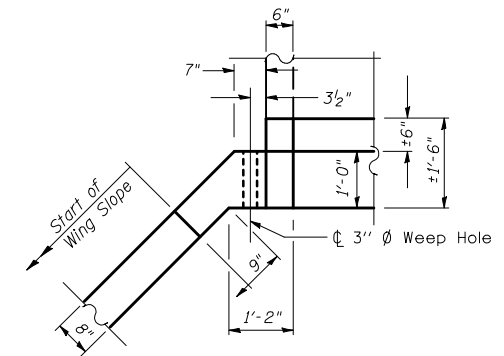


END ELEVATION



HALF SIDE ELEVATION

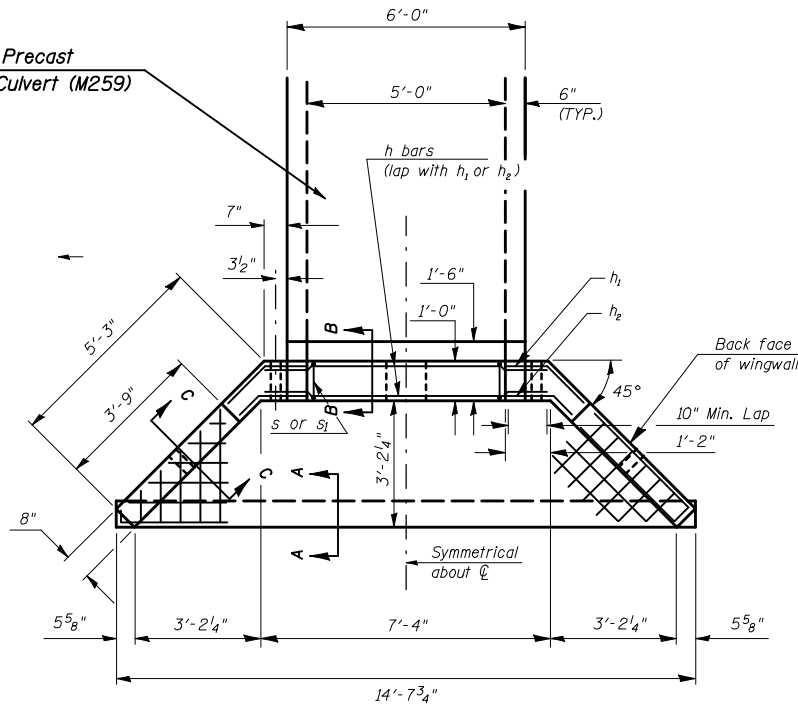
(DIMENSIONS AT RIGHT ANGLES TO C-L OF ROADWAY)



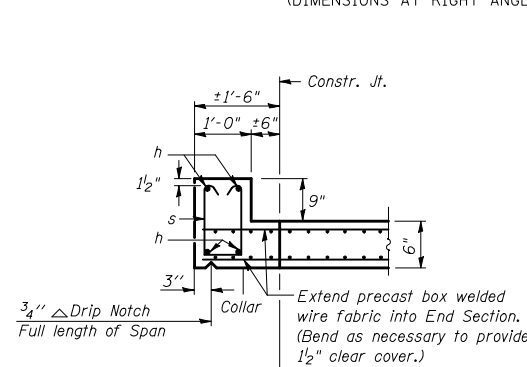
CORNER DETAIL

(Showing dimensions and weep hole)

5'-0" x 3'-0" Precast Concrete Box Culvert (M259)

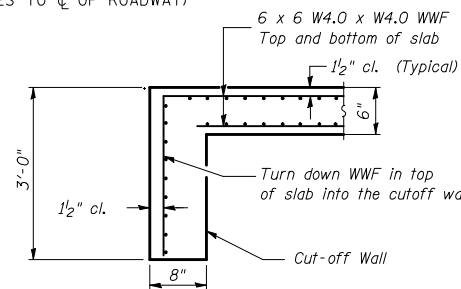


PLAN

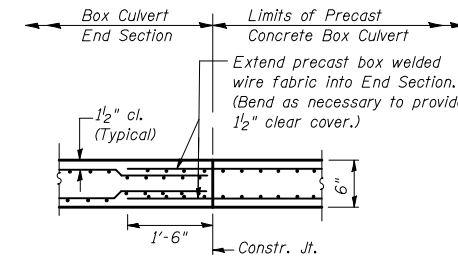


SECTION E-E

TOP SLAB / HEADWALL DOWNSTREAM END

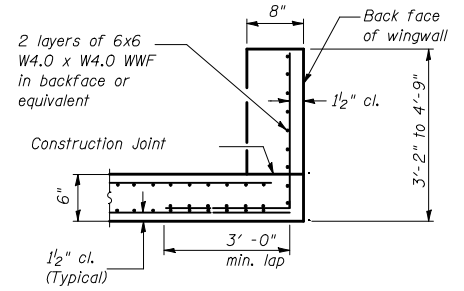


SECTION A-A



SECTION B-B

BOTTOM SLAB

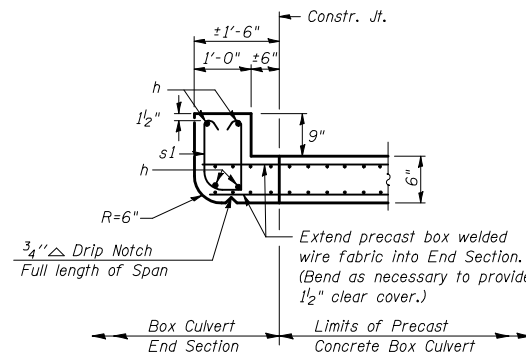


SECTION C-C

BILL OF MATERIAL

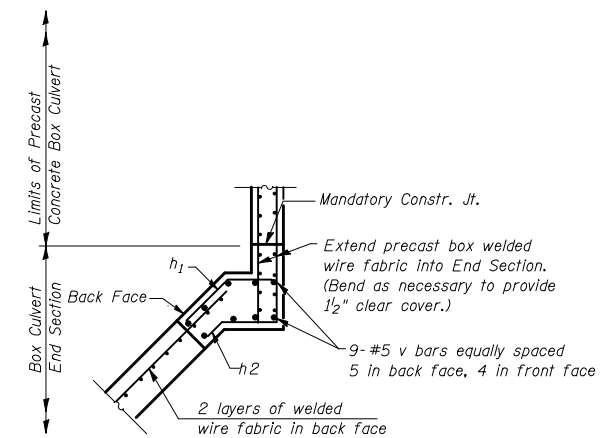
For Information Only (One End Section)

Bar	No.	Size	Length	Shape
h	4	#6	7'-2"	
h ₁	12	#4	1'-11"	
h ₂	12	#4	1'-5"	
s or s ₁	7	#4	3'-4"	
v	18	#5	4'-6"	
Item			Unit	Total
Class SI Concrete			Cu. Yd.	3.3
Reinforcement Bars			Pound	171.0
Welded Wire Fabric			Sq. Ft.	275.0



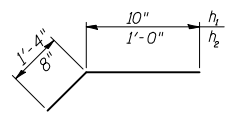
SECTION E-E

TOP SLAB / HEADWALL UPSTREAM END

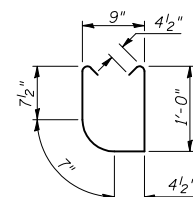


SECTION D-D

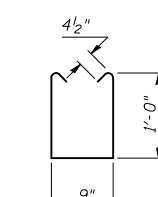
(Showing reinforcement)



h₁ & h₂ BARS



s₁ BARS
UPSTREAM END



s BARS
DOWNSTREAM END

SHEET 2 OF 5

END SECTION DETAIL
SINGLE 5'x3' PRECAST BOX CULVERT
F.A.P. ROUTE 808 - SECTION (205,57,105)RS-2
CHAMPAIGN COUNTY
STATION 1109+00.00
CULVERT NO. 1