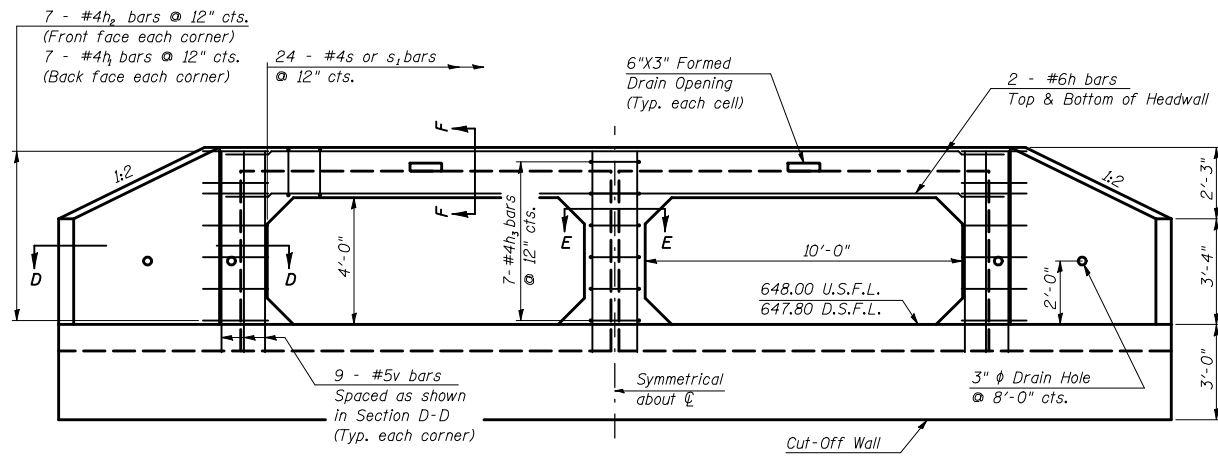
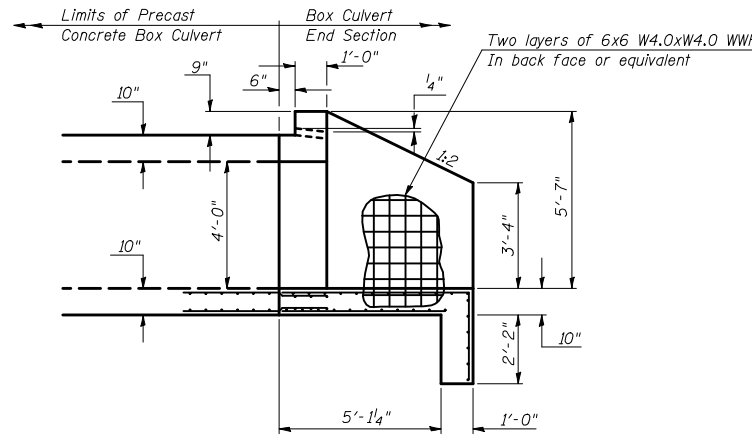


F.A.P. RTE.	SECTION	COUNTY	TOTAL SHEETS	SHEET NO.
808	.	..	715	228

- (205,57,105)RS-2
- CHAMPAIGN & DOUGLAS

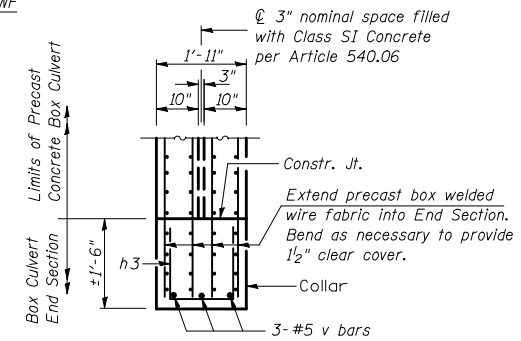


END ELEVATION



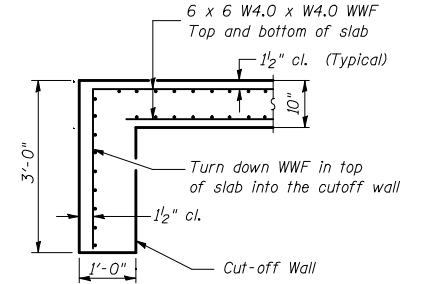
HALF SIDE ELEVATION

(DIMENSIONS AT RIGHT ANGLES TO C OF ROADWAY)

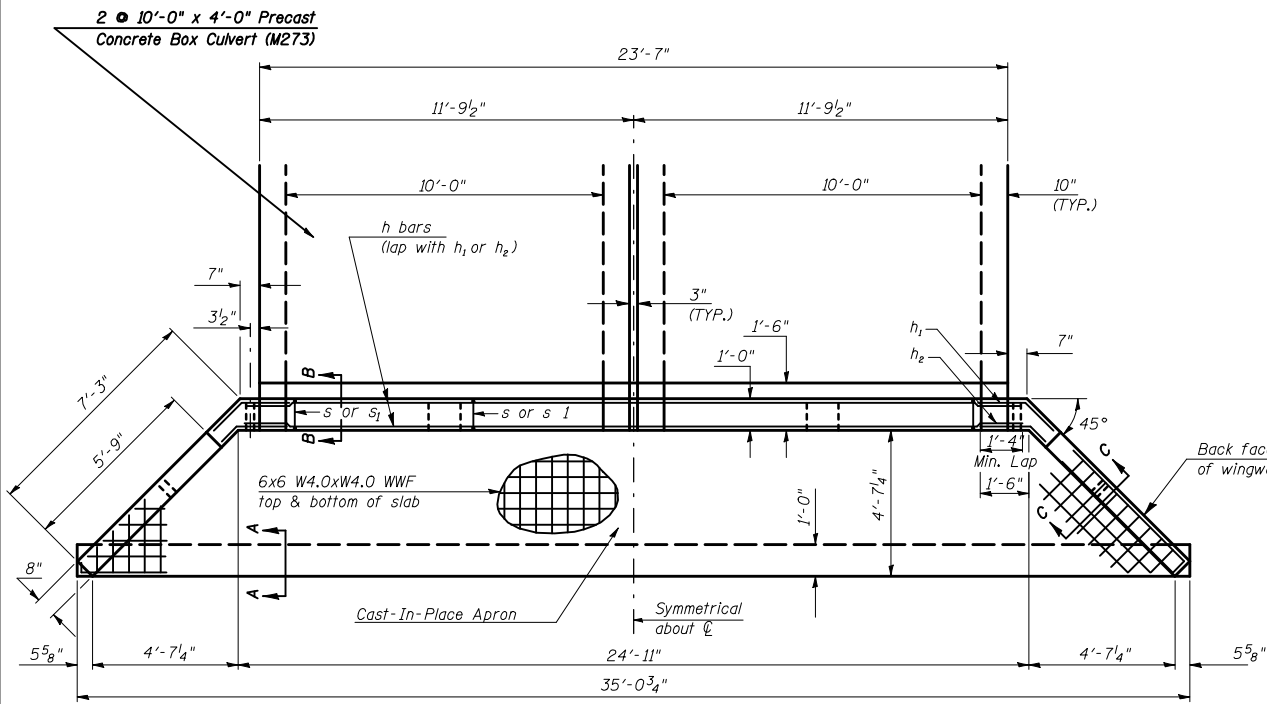


SECTION E-E

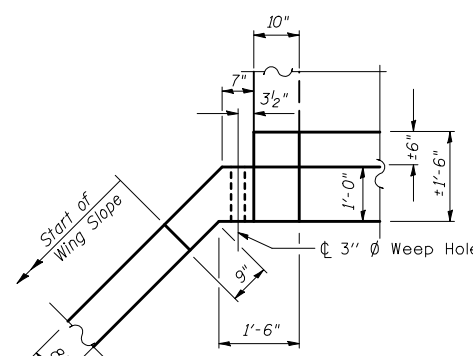
Tilt or adjust h3 bar as necessary to fit



SECTION A-A

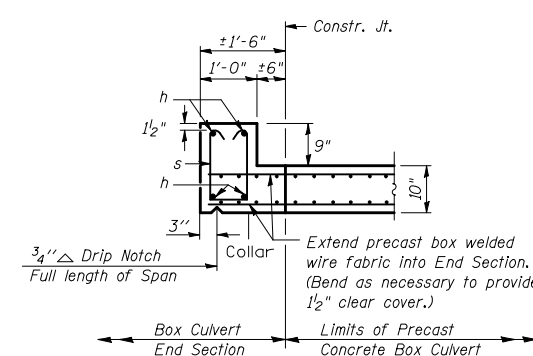


PLAN



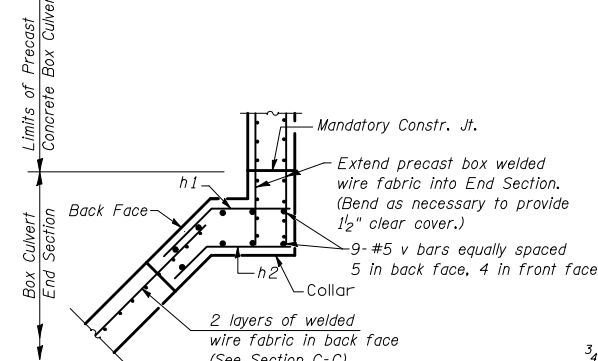
CORNER DETAIL

(Showing dimensions and weep hole)



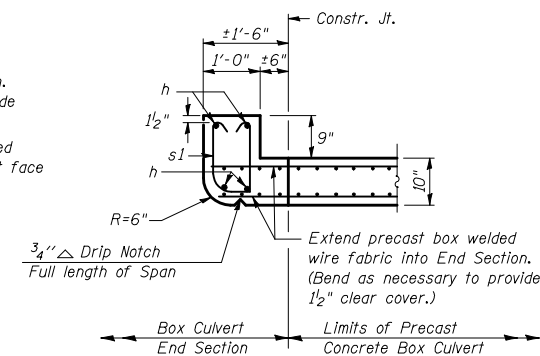
SECTION F-F

TOP SLAB / HEADWALL DOWNSTREAM END



SECTION D-D

(Showing reinforcement)



SECTION F-F

TOP SLAB / HEADWALL UPSTREAM END

BILL OF MATERIAL

For Information Only
(One End Section)

Bar	No.	Size	Length	Shape
h	4	#6	24'-10"	—
h1	14	#4	2'-10"	—
h2	14	#4	2'-3"	—
h3	7	#4	4'-1"	—
s or s1	24	#4	4'-2"	—
v	21	#5	6'-2"	—
Item		Unit	Total	
Class SI Concrete		Cu. Yd.	12.6	
Reinforcement Bars		Pound	418.0	
Welded Wire Fabric		Sq. Ft.	647.0	

SHEET 2 OF 6

END SECTION DETAIL
DOUBLE 10'x4' PRECAST BOX CULVERT
F.A.P. ROUTE 808 - SECTION (205,57,105)RS-2
CHAMPAIGN COUNTY
STATION 1145+38.00, S.N. 010-2036
CULVERT NO. 3