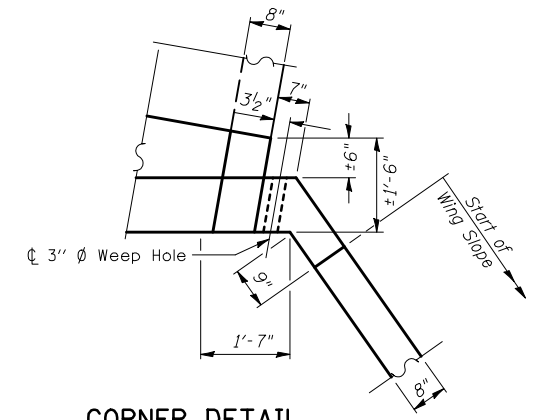
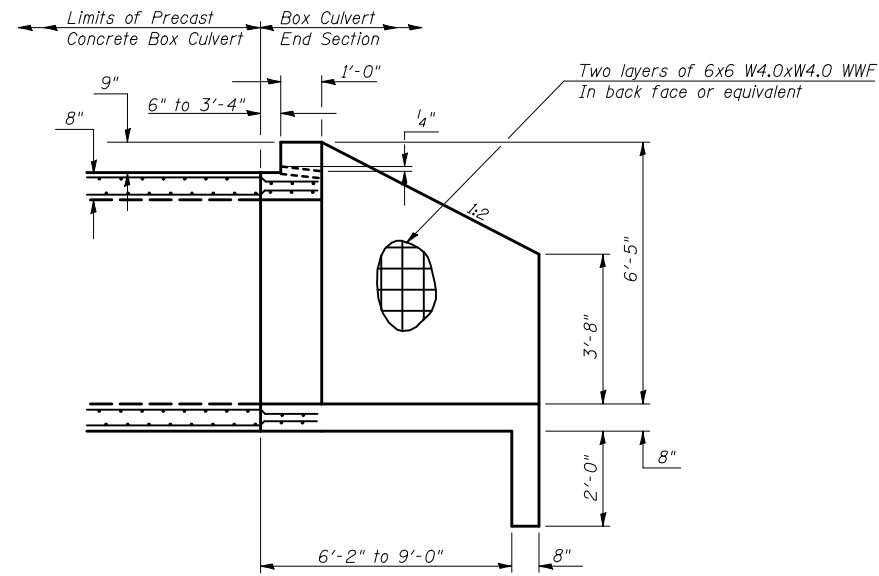
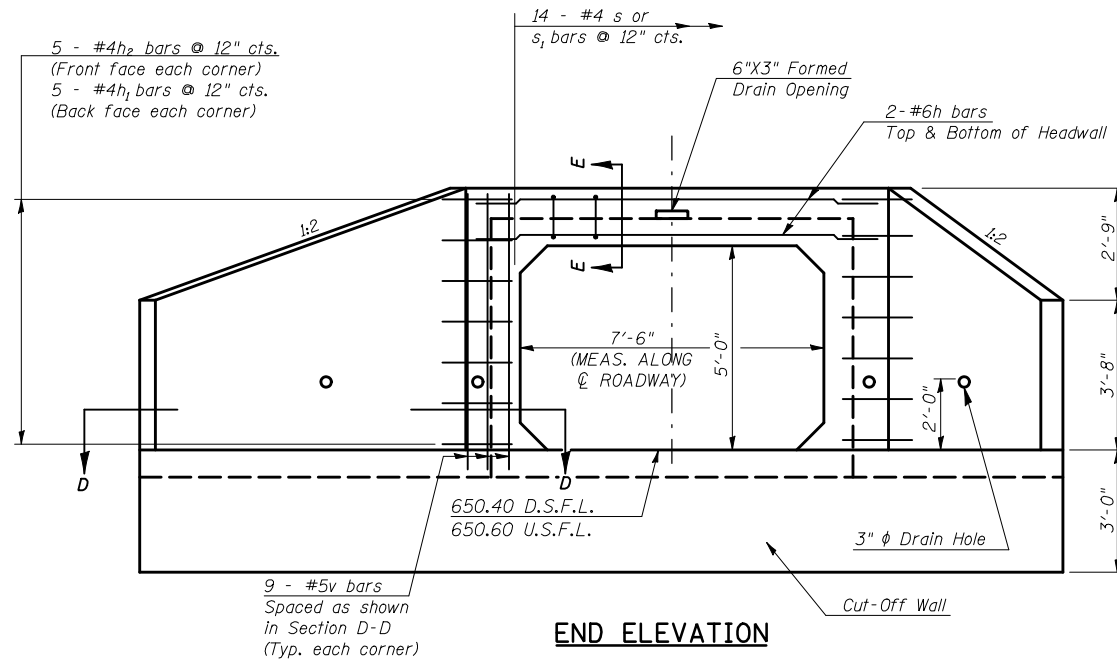
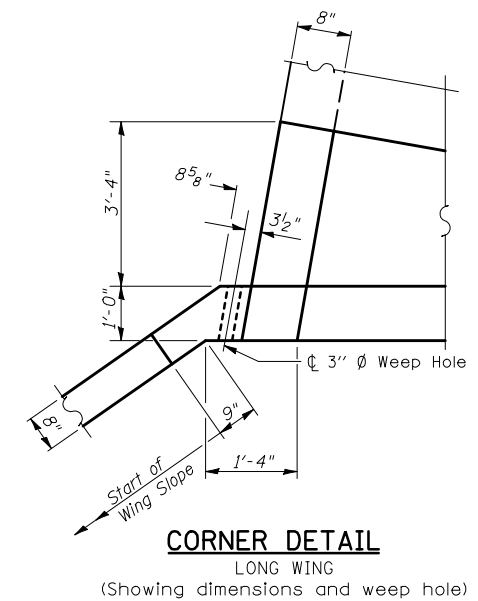
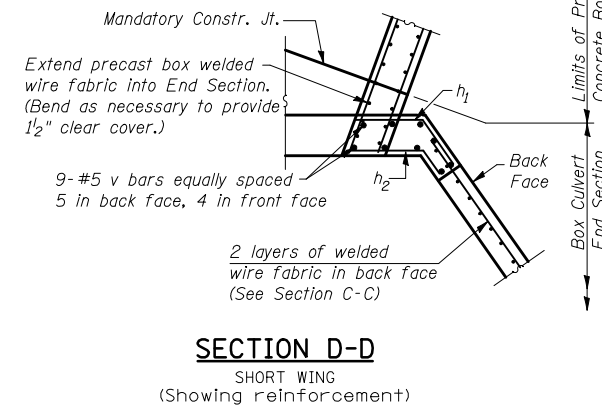
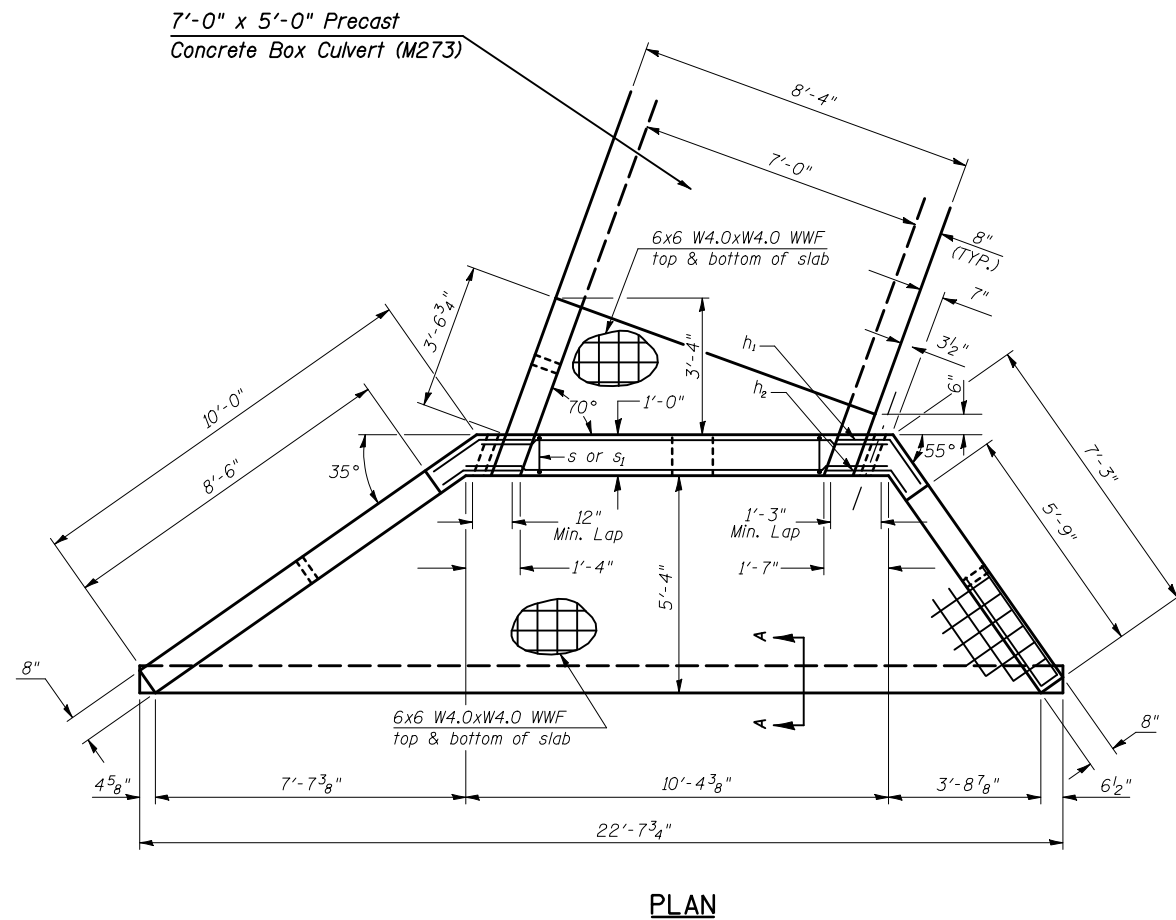


F.A.P. RTE.	SECTION	COUNTY	TOTAL SHEETS	SHEET NO.
808	.	**	715	234

- (205,57,105)RS-2
- CHAMPAIGN & DOUGLAS



(DIMENSIONS AT RIGHT ANGLES TO CL ROADWAY)



SHEET 2 OF 6

END SECTION DETAILS
SINGLE 7'x5' PRECAST BOX CULVERT
AT SKEW = 20° LT. FWD.
F.A.P. ROUTE 808 - SECTION (205,57,105)RS-2
CHAMPAIGN COUNTY
STATION 2013+50.00, S.N. 010-8145
CULVERT NO. 4