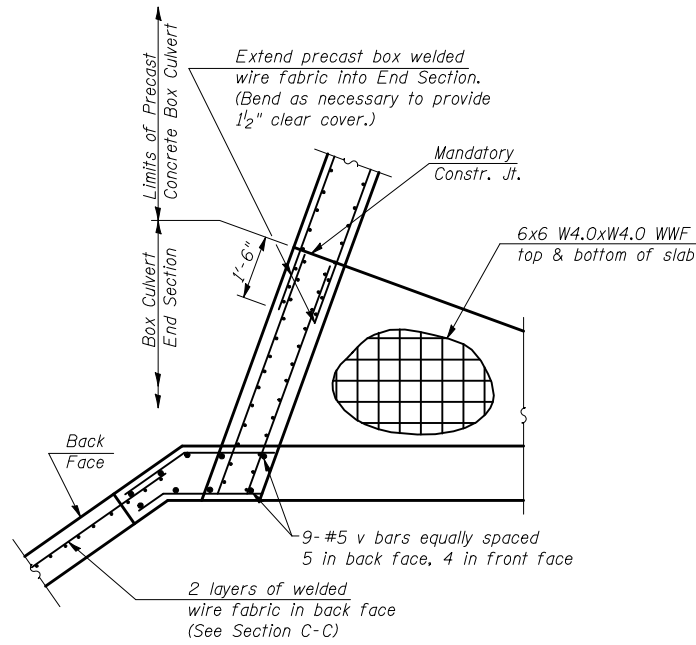
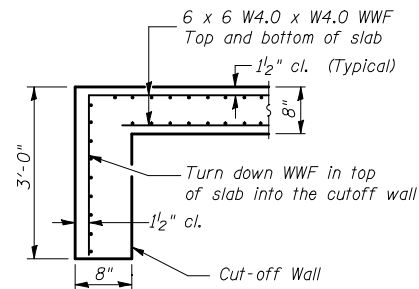


F.A.P. RTE.	SECTION	COUNTY	TOTAL SHEETS	SHEET NO.
808	.	**	715	235

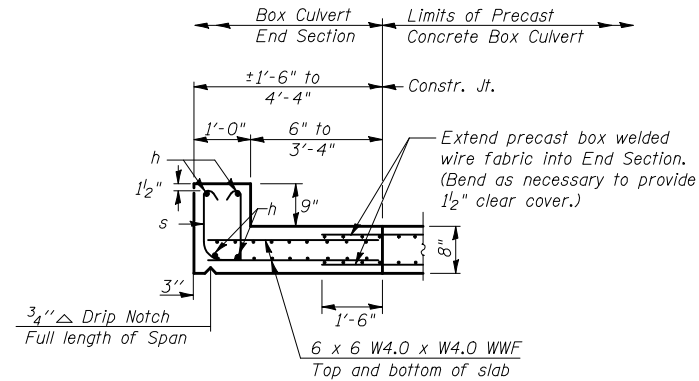
(205,57,105)RS-2  
 \*\* CHAMPAIGN & DOUGLAS



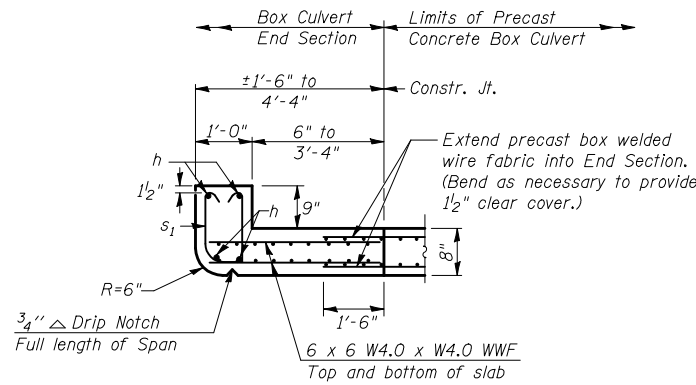
**SECTION D-D**  
 LONG WING  
 (Showing reinforcement)



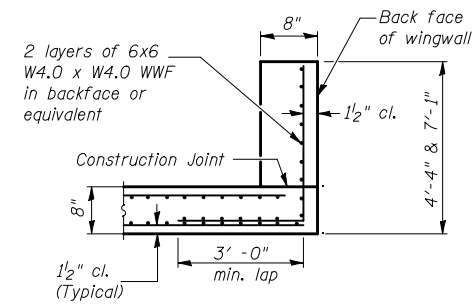
**SECTION A-A**  
 DOWNSTREAM END



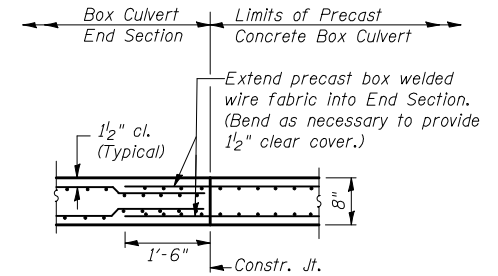
**SECTION E-E**  
 TOP SLAB / HEADWALL DOWNSTREAM END  
 (DIMENSIONS AT RIGHT ANGLES TO CL ROADWAY)



**SECTION E-E**  
 TOP SLAB / HEADWALL UPSTREAM END  
 (DIMENSIONS AT RIGHT ANGLES TO CL ROADWAY)



**SECTION C-C**  
 WINGWALLS

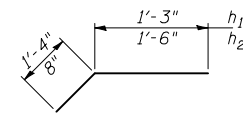


**SECTION B-B**  
 BOTTOM SLAB

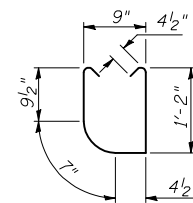
**BILL OF MATERIAL**

For Information Only  
 (One End Section)

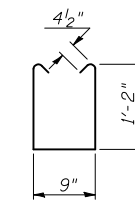
Bar	No.	Size	Length	Shape
h	4	#6	10'-4"	—
h <sub>1</sub>	14	#4	2'-7"	—
h <sub>2</sub>	14	#4	2'-2"	—
s or s <sub>1</sub>	8	#4	3'-10"	U
v	18	#5	6'-10"	—
Item		Unit	Total	
Class SI Concrete		Cu. Yd.	8.4	
Reinforcement Bars		Pound	256.0	
Welded Wire Fabric		Sq. Ft.	794.0	



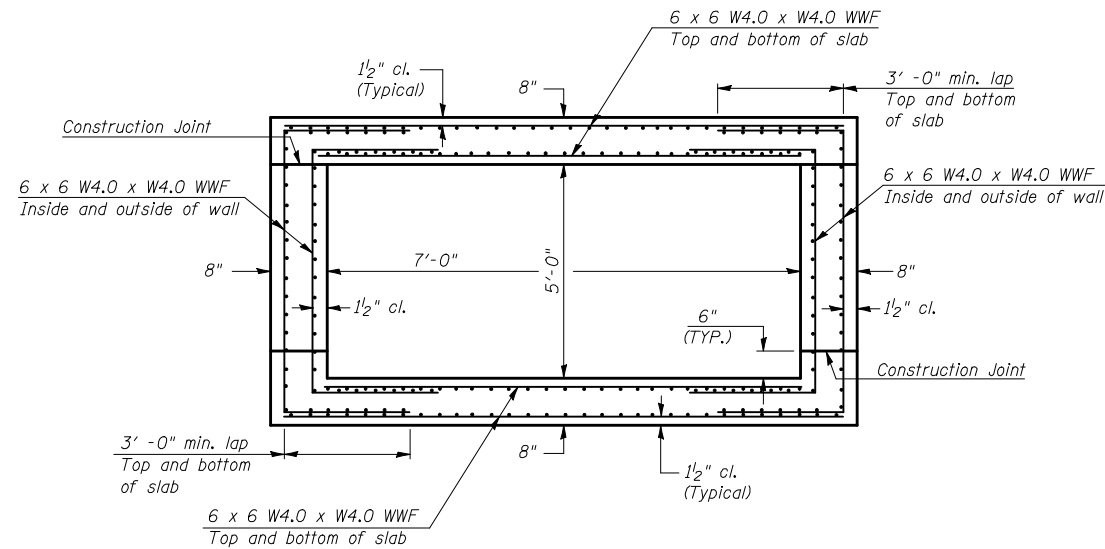
**h1 & h2 BARS**



**s1 BARS**  
 UPSTREAM END



**s BARS**  
 DOWNSTREAM END



**CAST-IN-PLACE SECTION OF BOX CULVERT TO BE BUILT IN FIELD**

SHEET 3 OF 6

**END SECTION DETAILS**  
**SINGLE 7'x5' PRECAST BOX CULVERT**  
 AT SKEW = 20° LT. FWD.  
 F.A.P. ROUTE 808 - SECTION (205,57,105)RS-2  
 CHAMPAIGN COUNTY  
 STATION 2013+50.00, S.N. 010-8145  
 CULVERT NO. 4

PLOT DATE = 8/12/2009  
 FILE NAME = c:\pvc\work\A\PROJECTS\70623-shr-culvert.dwg  
 PLOT SCALE = 4.23529 / IN.  
 USER NAME = ceerlockjd