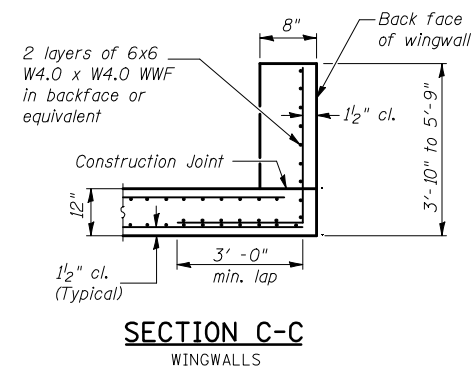
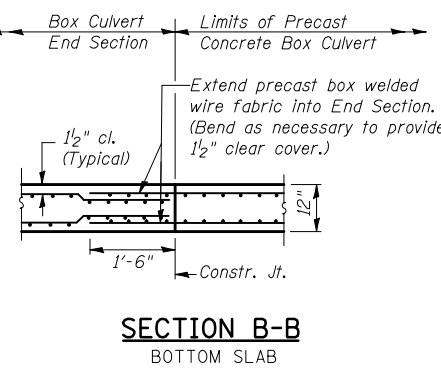
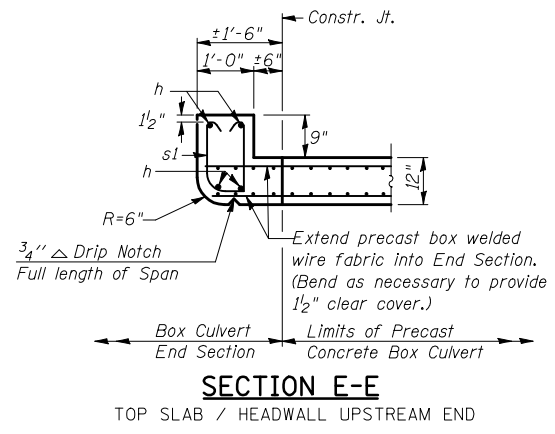
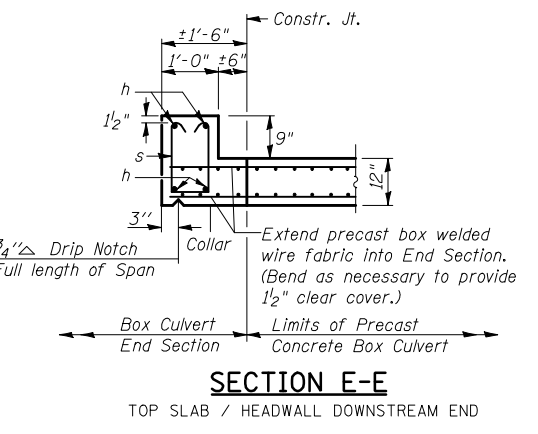
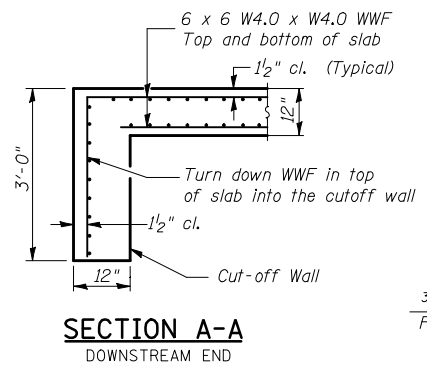
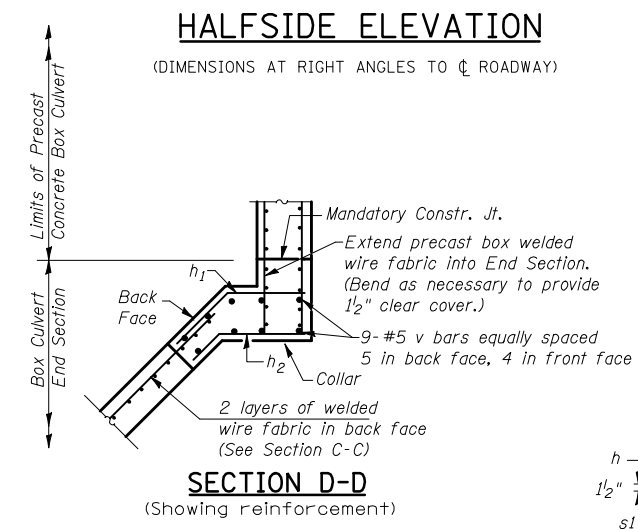
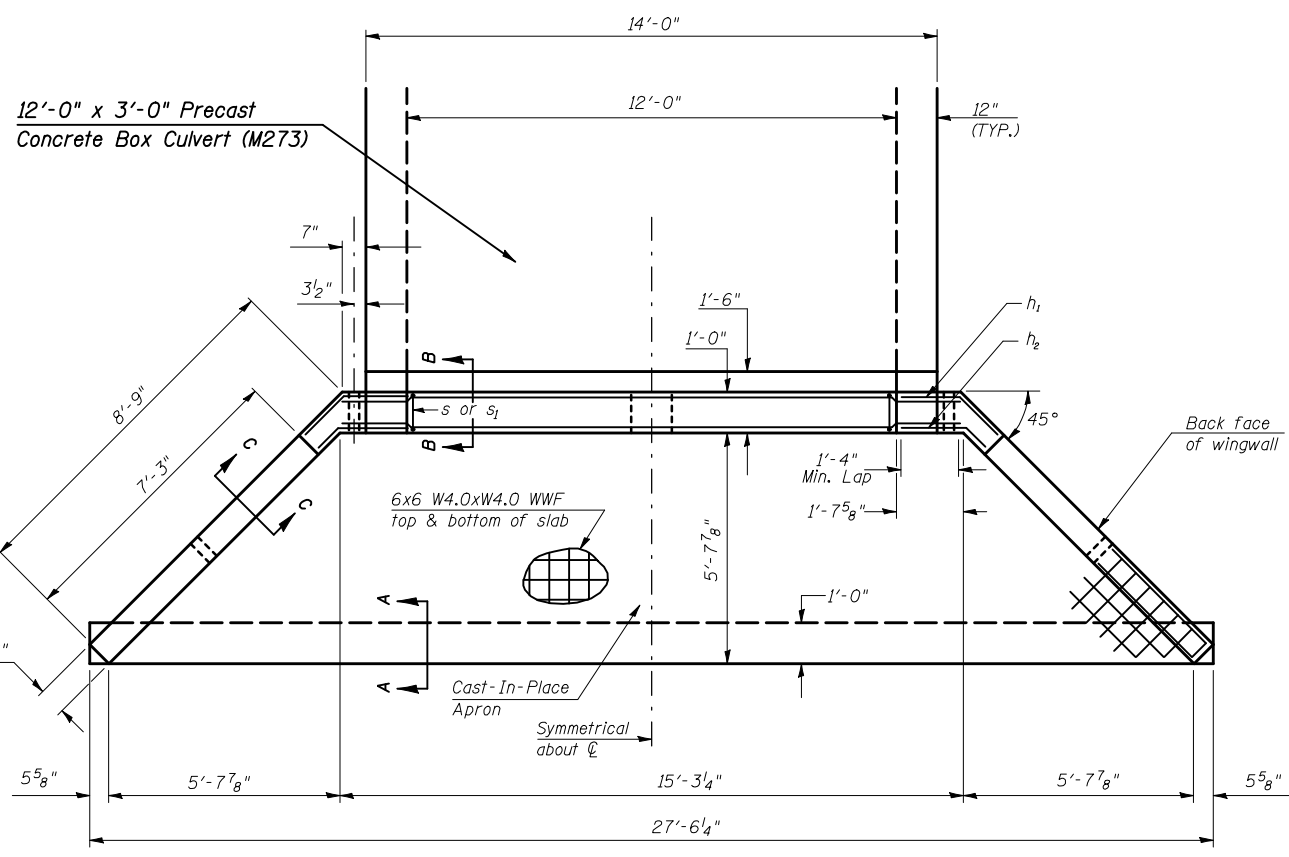
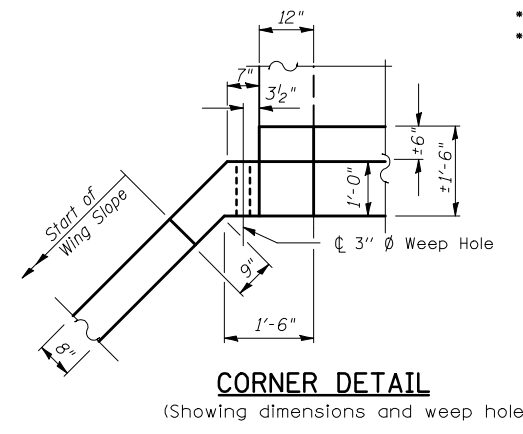
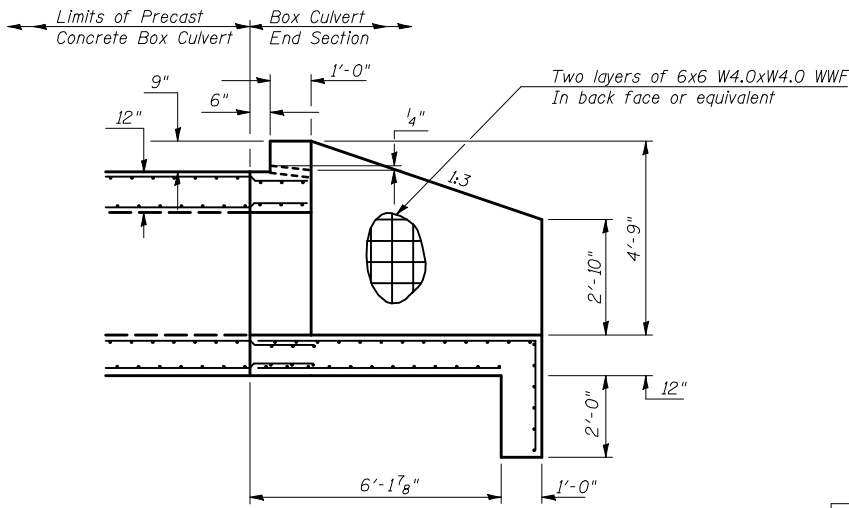
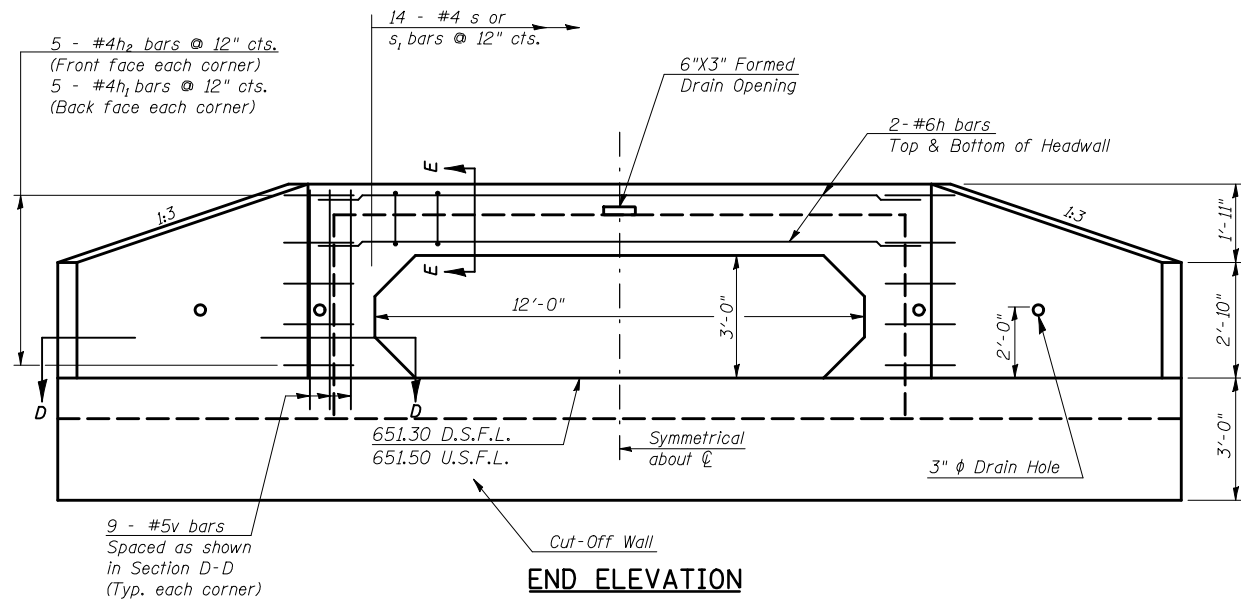


F.A.P. RTE.	SECTION	COUNTY	TOTAL SHEETS	SHEET NO.
808	.	..	715	240

- (205,57,105)RS-2
- CHAMPAIGN & DOUGLAS



**BILL OF MATERIAL**

For Information Only  
(One End Section)

Bar	No.	Size	Length	Shape
h	4	#6	15'-2"	—
h <sub>1</sub>	10	#4	2'-9"	—
h <sub>2</sub>	10	#4	2'-2"	—
s or s <sub>1</sub>	14	#4	4'-6"	□ □
v	18	#5	5'-6"	—
Item			Unit	Total
Class SI Concrete			Cu. Yd.	10.6
Reinforcement Bars			Pound	270.0
Welded Wire Fabric			Sq. Ft.	628.0

SHEET 2 OF 6

**END SECTION DETAILS**  
**SINGLE 12'x3' PRECAST BOX CULVERT**  
**F.A.P. ROUTE 808 - SECTION (205,57,105)RS-2**  
**CHAMPAIGN COUNTY**  
**STATION 2025+00.00, S.N. 010-8144**  
**CULVERT NO. 5**

PLOT DATE = 8/12/2009  
 FILE NAME = c:\pwworkspace\70623-shr-culvert.dwg  
 PLOT SCALE = 42.3529 / IN.  
 USER NAME = ceerlockjd

