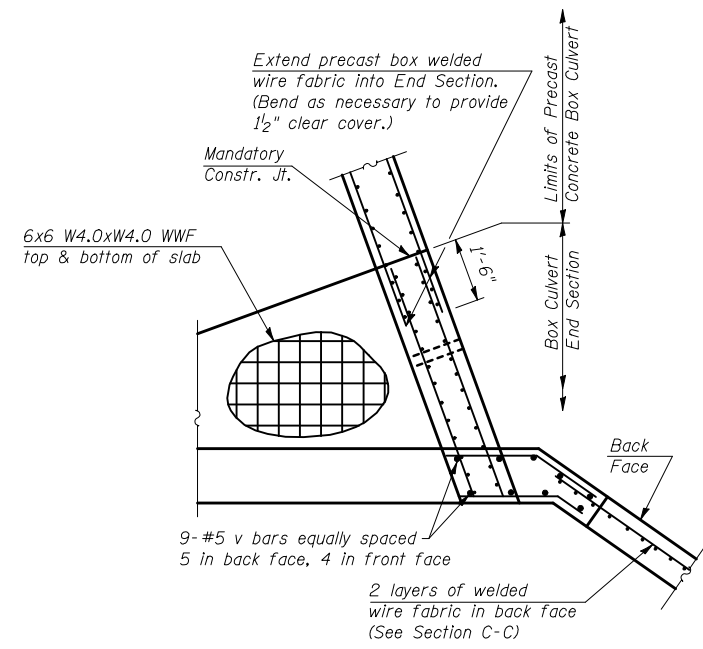
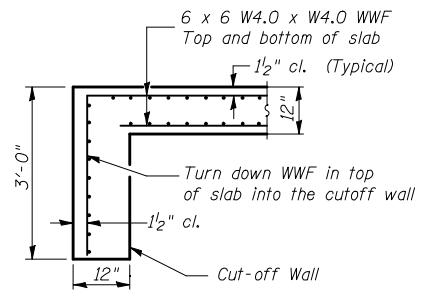


| F.A.P. RTE. | SECTION | COUNTY | TOTAL SHEETS | SHEET NO. |
|-------------|---------|--------|--------------|-----------|
| 808 | * | ** | 715 | 247 |

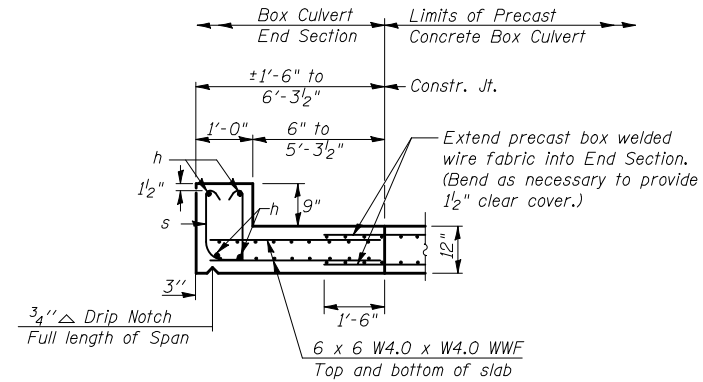
(205,57,105)RS-2
 ** CHAMPAIGN & DOUGLAS



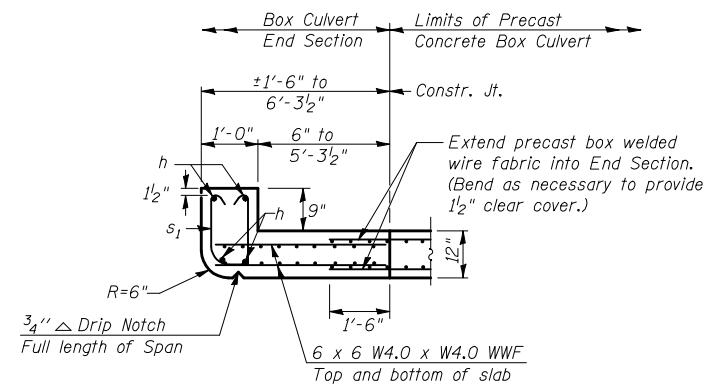
SECTION D-D
 LONG WING
 (Showing reinforcement)



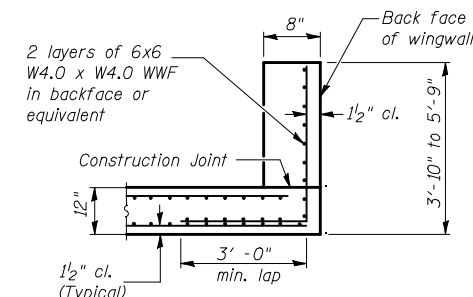
SECTION A-A
 DOWNSTREAM END



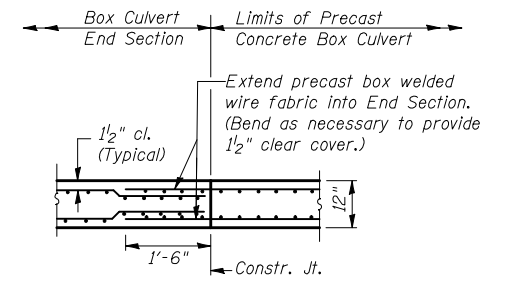
SECTION E-E
 TOP SLAB / HEADWALL DOWNSTREAM END
 (DIMENSIONS AT RIGHT ANGLES TO CL ROADWAY)



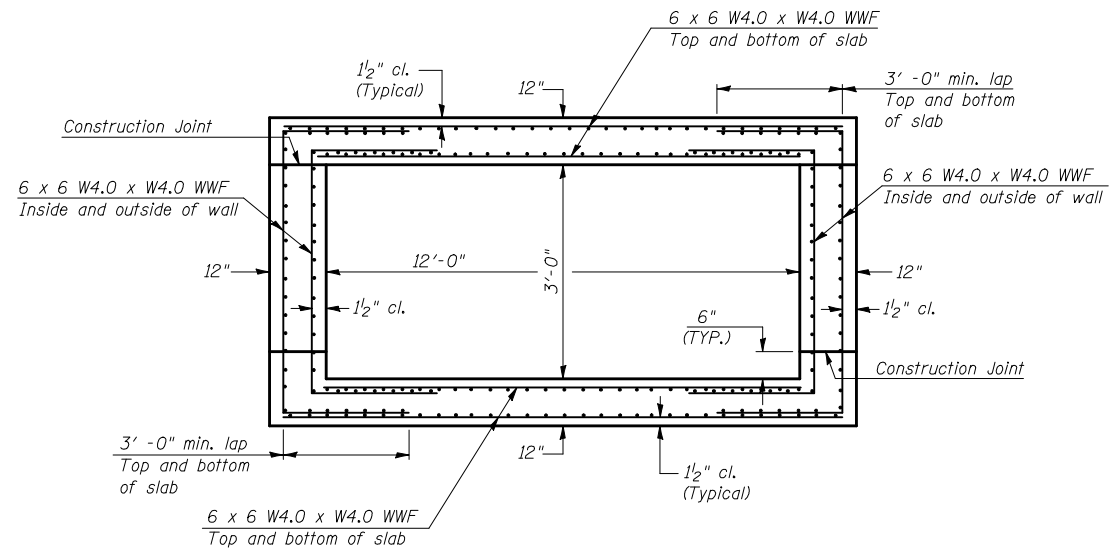
SECTION E-E
 TOP SLAB / HEADWALL UPSTREAM END
 (DIMENSIONS AT RIGHT ANGLES TO CL ROADWAY)



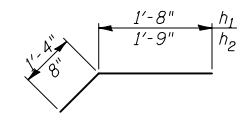
SECTION C-C
 WINGWALLS



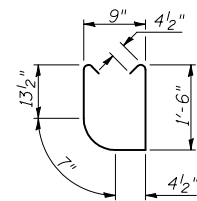
SECTION B-B
 BOTTOM SLAB



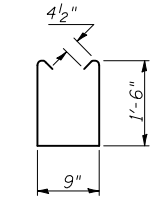
CAST-IN-PLACE SECTION OF BOX CULVERT TO BE BUILT IN FIELD



h1 & h2 BARS



s1 BARS
 UPSTREAM END



s BARS
 DOWNSTREAM END

BILL OF MATERIAL

For Information Only
 (One End Section)

| Bar | No. | Size | Length | Shape |
|---------------------|-----|------|---------|-------|
| h | 4 | #6 | 16'-5" | — |
| h ₁ | 10 | #4 | 3'-0" | — |
| h ₂ | 10 | #4 | 2'-5" | — |
| s or s ₁ | 14 | #4 | 4'-6" | ⌊ ⌋ |
| v | 18 | #5 | 5'-6" | — |
| Item | | | Unit | Total |
| Class SI Concrete | | | Cu. Yd. | 13.4 |
| Reinforcement Bars | | | Pound | 281.0 |
| Welded Wire Fabric | | | Sq. Ft. | 167.0 |

SHEET 3 OF 9

END SECTION DETAILS
SINGLE 12'x3' PRECAST BOX CULVERT

AT SKEW = 20° RT. FWD.
 F.A.P. ROUTE 808 - SECTION (205,57,105)RS-2
 CHAMPAIGN COUNTY
 STATION 2030+82.00, S.N. 010-8143
 CULVERT NO. 6

PLOT DATE = 8/12/2009
 FILE NAME = c:\pwworkspace\70623-ah-culvert.dwg
 PLOT SCALE = 4:23525 / IN.
 USER NAME = ceerlock_jd