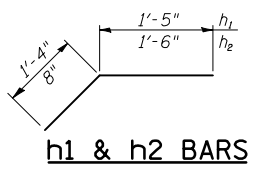
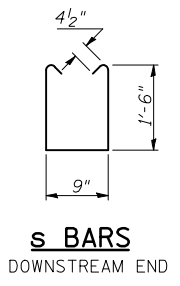
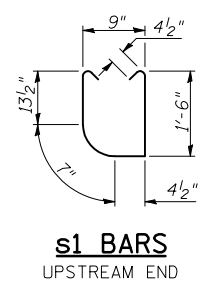
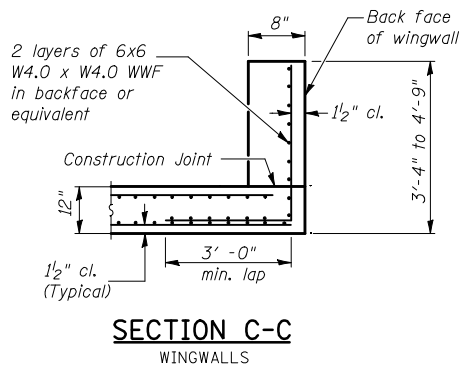
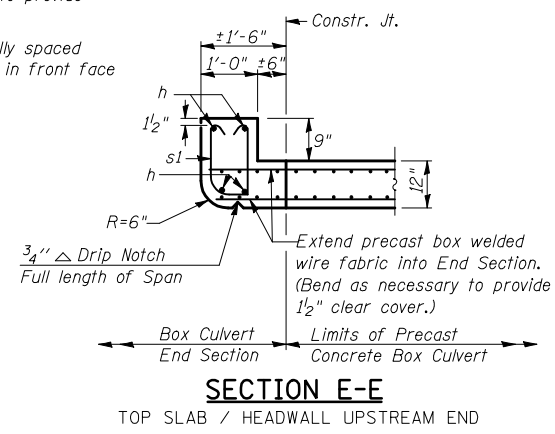
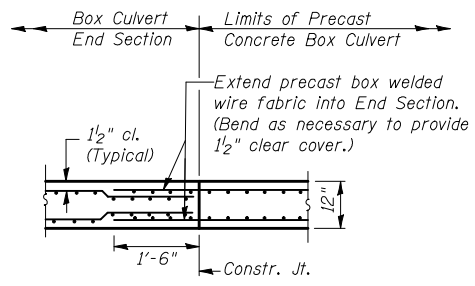
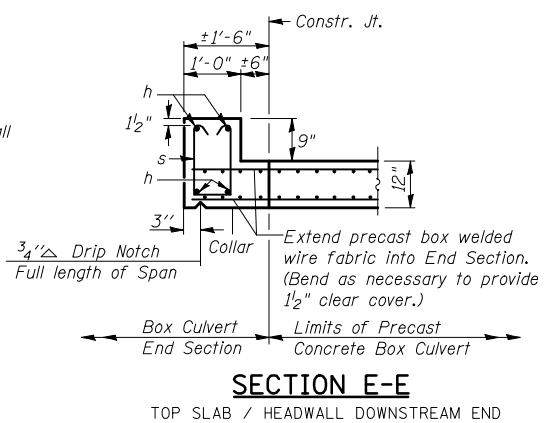
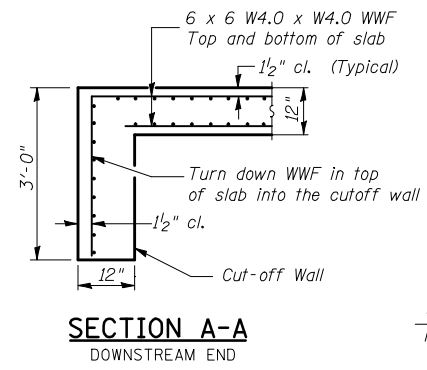
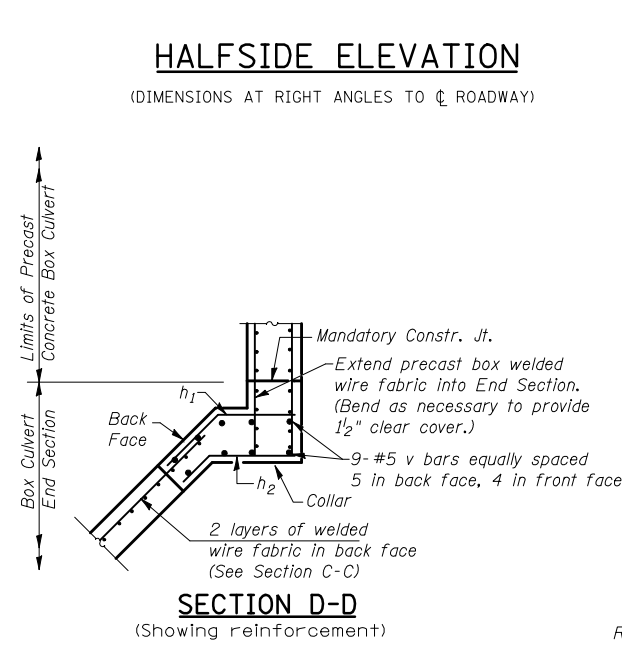
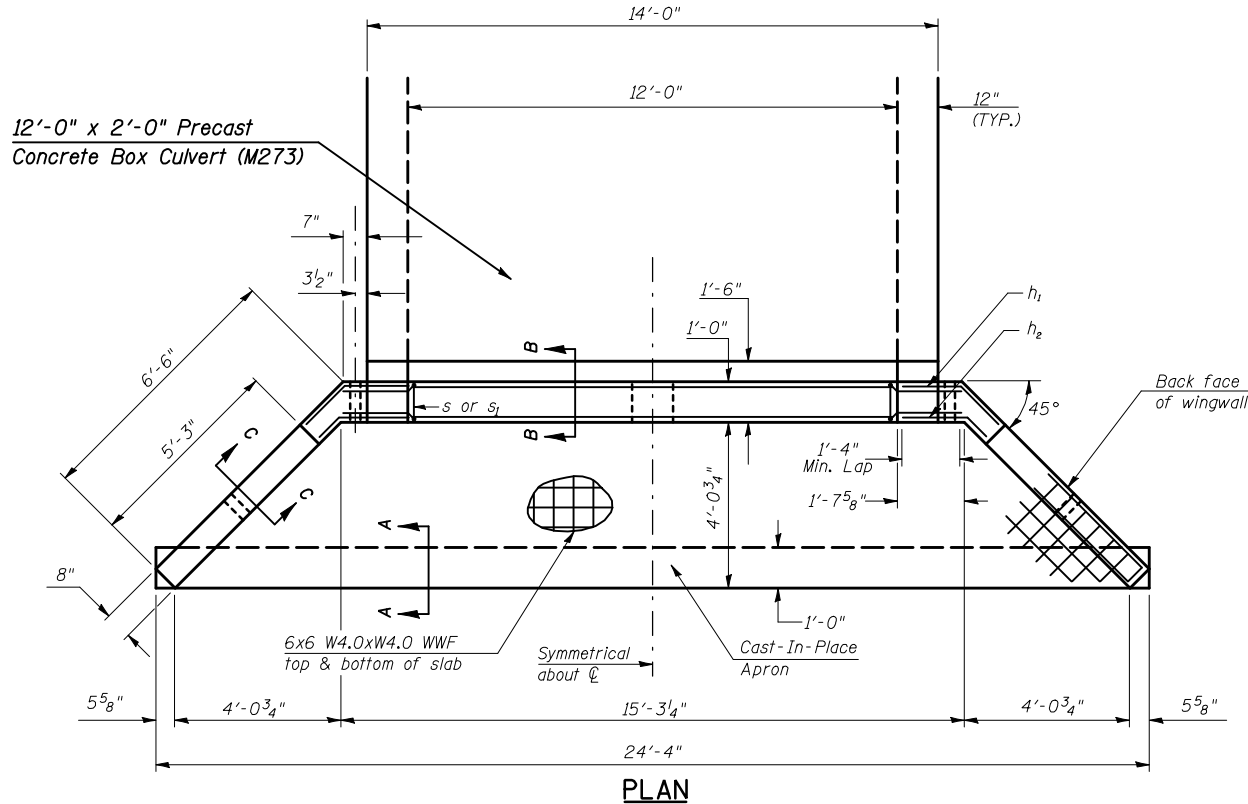
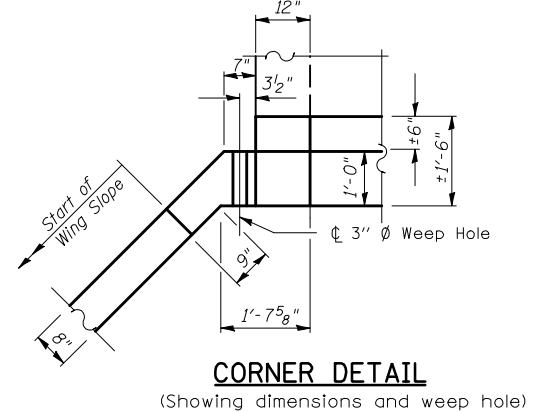
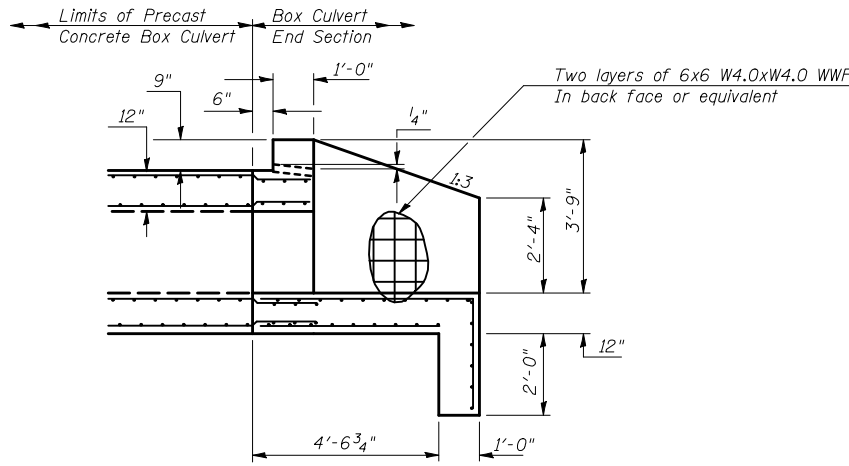
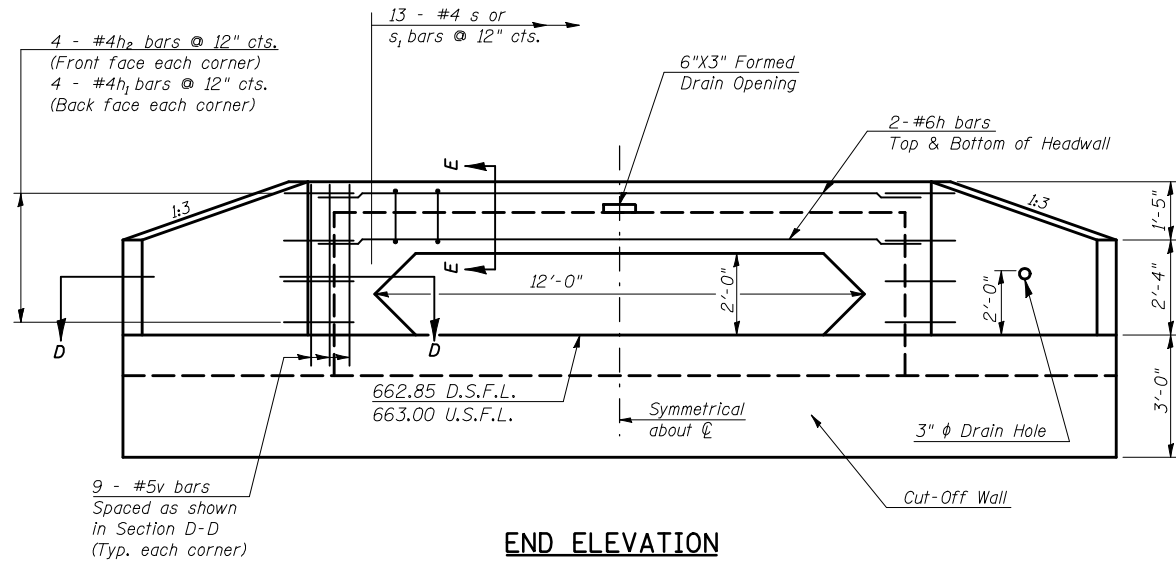


F.A.P. RTE.	SECTION	COUNTY	TOTAL SHEETS	SHEET NO.
808	.	..	715	255

(205,57,105)RS-2
 CHAMPAIGN & DOUGLAS



BILL OF MATERIAL

For Information Only
 (One End Section)

Bar	No.	Size	Length	Shape
h	4	#6	15'-3"	—
h ₁	10	#4	2'-9"	—
h ₂	10	#4	2'-2"	—
s or s ₁	14	#4	4'-6"	□ □
v	18	#5	4'-6"	—
Item	Unit	Total		
Class SI Concrete	Cu. Yd.	9.1		
Reinforcement Bars	Pound	242.0		
Welded Wire Fabric	Sq. Ft.	519.0		

SHEET 2 OF 4

END SECTION DETAILS
 SINGLE 12'x2' PRECAST BOX CULVERT
 F.A.P. ROUTE 808 - SECTION (205,57,105)RS-2
 CHAMPAIGN COUNTY
 STATION 2116+20.00, S.N. 010-8142
 CULVERT NO. 7

PLOT DATE = 8/12/2009
 FILE NAME = c:\pwworking\pwworking\70623-shr-culvert.dwg
 PLOT SCALE = 42,3525 / IN.
 USER NAME = ceerlockjd