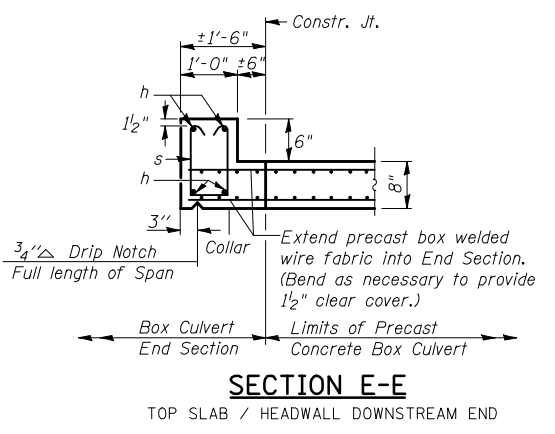
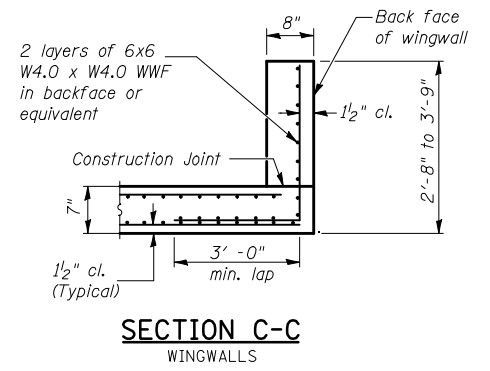
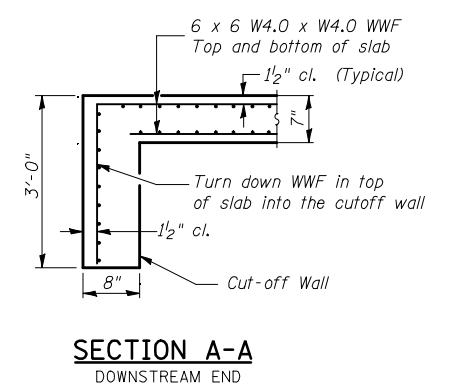
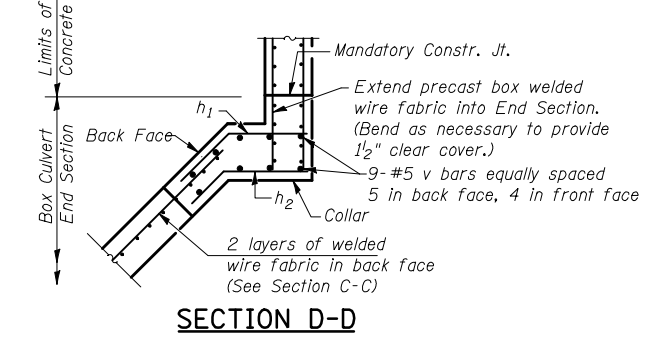
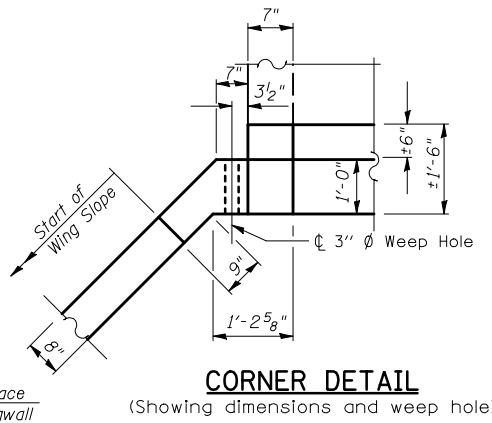
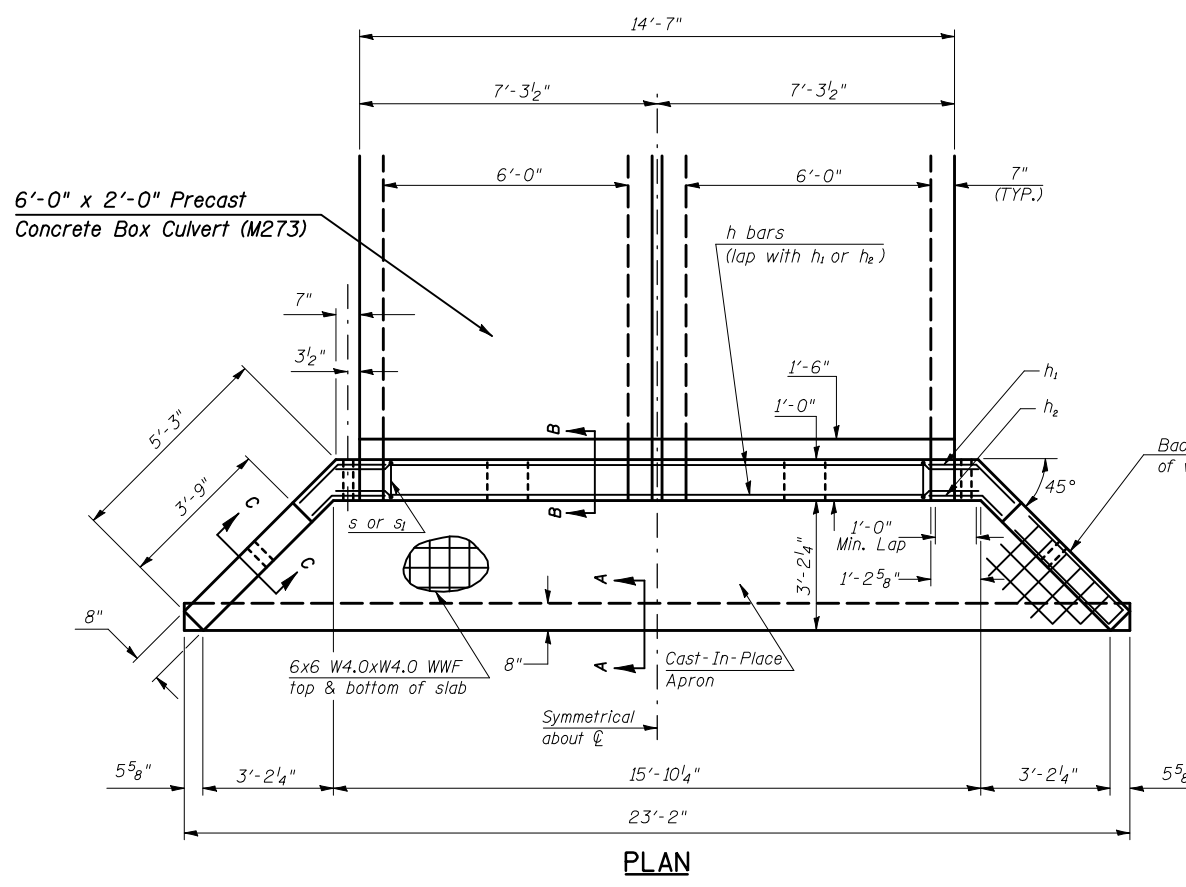
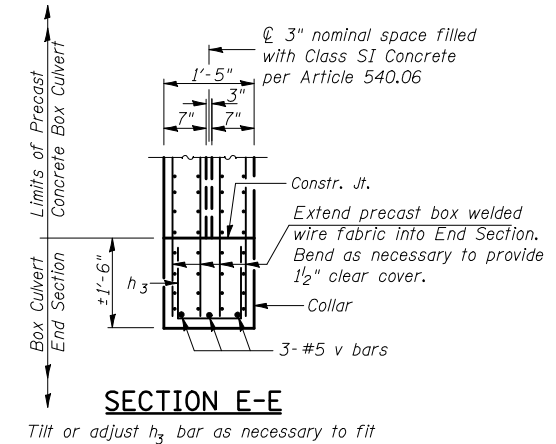
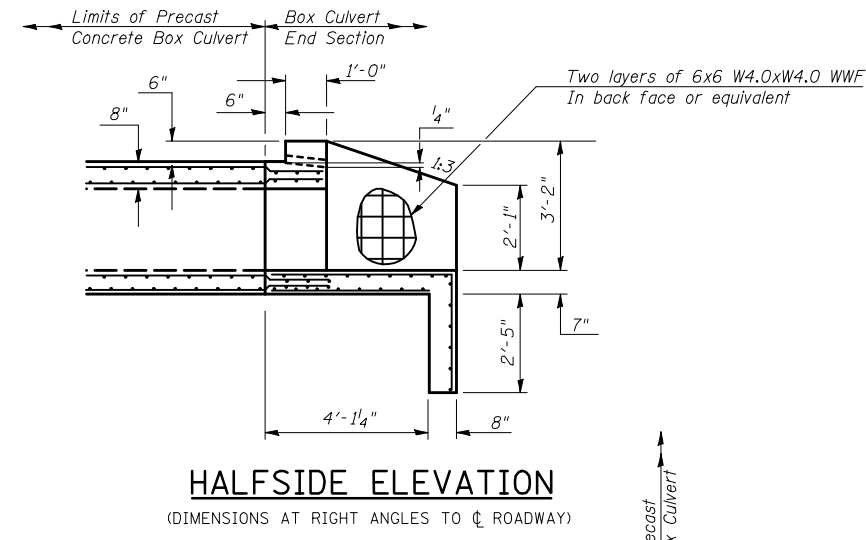
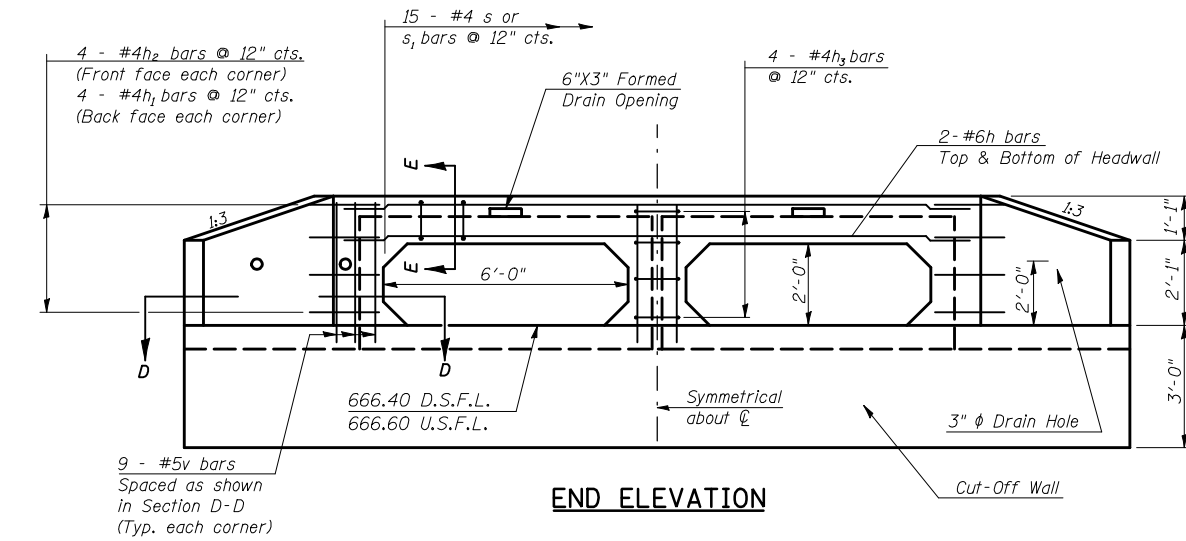


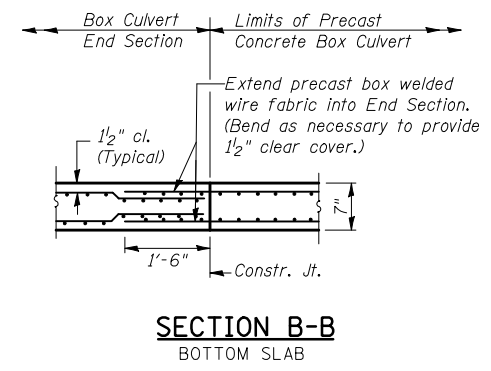
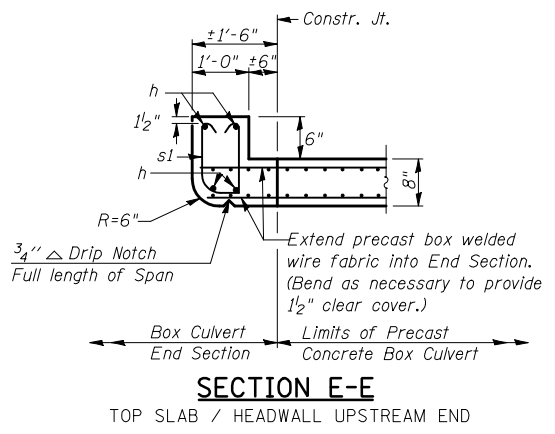
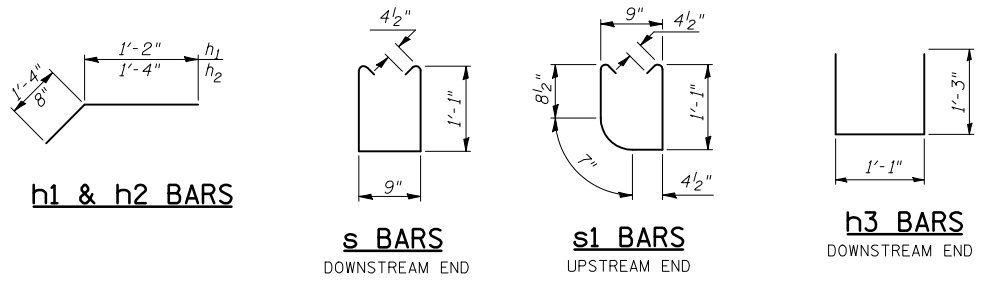
| F.A.P. RTE. | SECTION | COUNTY | TOTAL SHEETS | SHEET NO. |
|-------------|---------|--------|--------------|-----------|
| 808 | . | ** | 715 | 259 |

(205,57,105)RS-2
 ** CHAMPAIGN & DOUGLAS



BILL OF MATERIAL
 For Information Only
 (One End Section)

| Bar | No. | Size | Length | Shape |
|--------------------|-----|------|---------|-------|
| h | 4 | #6 | 15'-10" | — |
| h1 | 8 | #4 | 2'-6" | — |
| h2 | 8 | #4 | 2'-0" | — |
| h3 | 4 | #4 | 3'-8" | — |
| s or s1 | 15 | #4 | 3'-8" | — |
| v | 21 | #5 | 3'-9" | — |
| Item | | | Unit | Total |
| Class SI Concrete | | | Cu. Yd. | 5.4 |
| Reinforcement Bars | | | Pound | 248.0 |
| Welded Wire Fabric | | | Sq. Ft. | 381.0 |



SHEET 2 OF 4

END SECTION DETAILS
DOUBLE 6'x2' PRECAST BOX CULVERT
F.A.P. ROUTE 808 - SECTION (205,57,105)RS-2
CHAMPAIGN COUNTY
STATION 2140+90.00, S.N. 010-8141
CULVERT NO. 8

PLOT DATE = 8/12/2009
 FILE NAME = c:\pwworkspace\10101445\70623-shc-culvert.dwg
 PLOT SCALE = 42,3525 / IN.
 USER NAME = ceerlock,jd