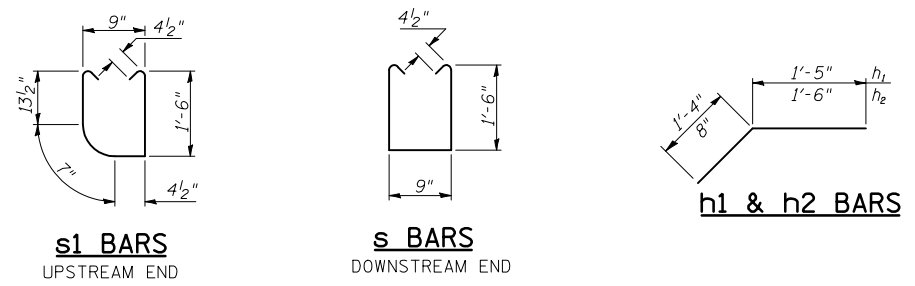
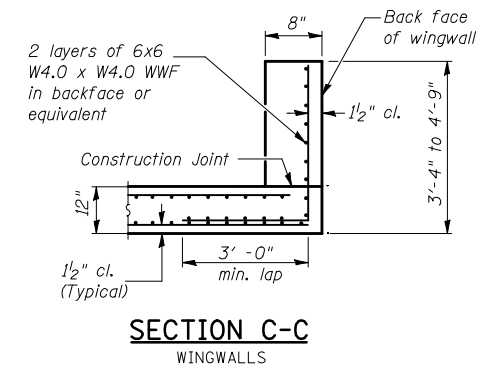
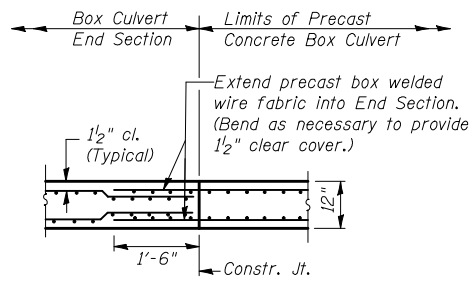
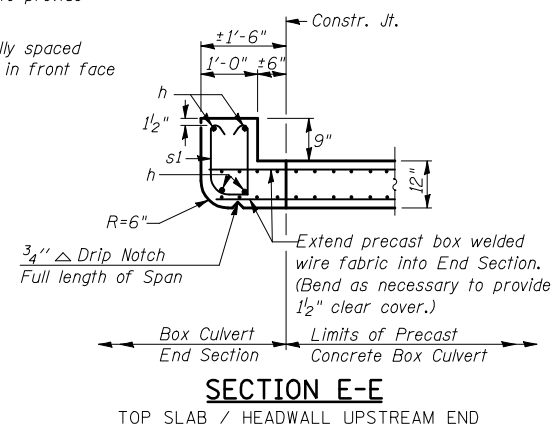
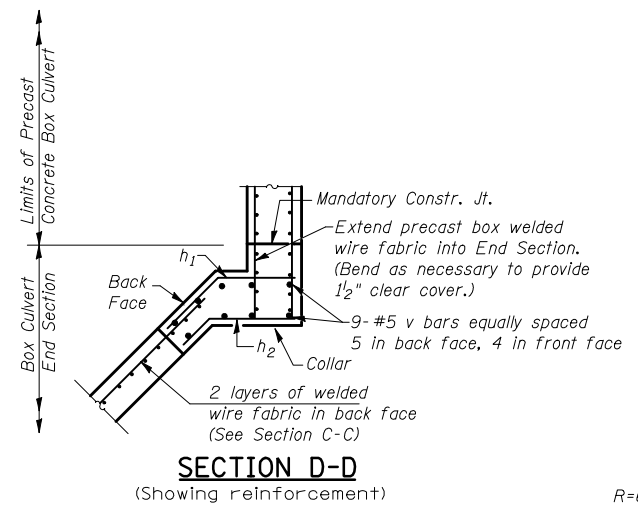
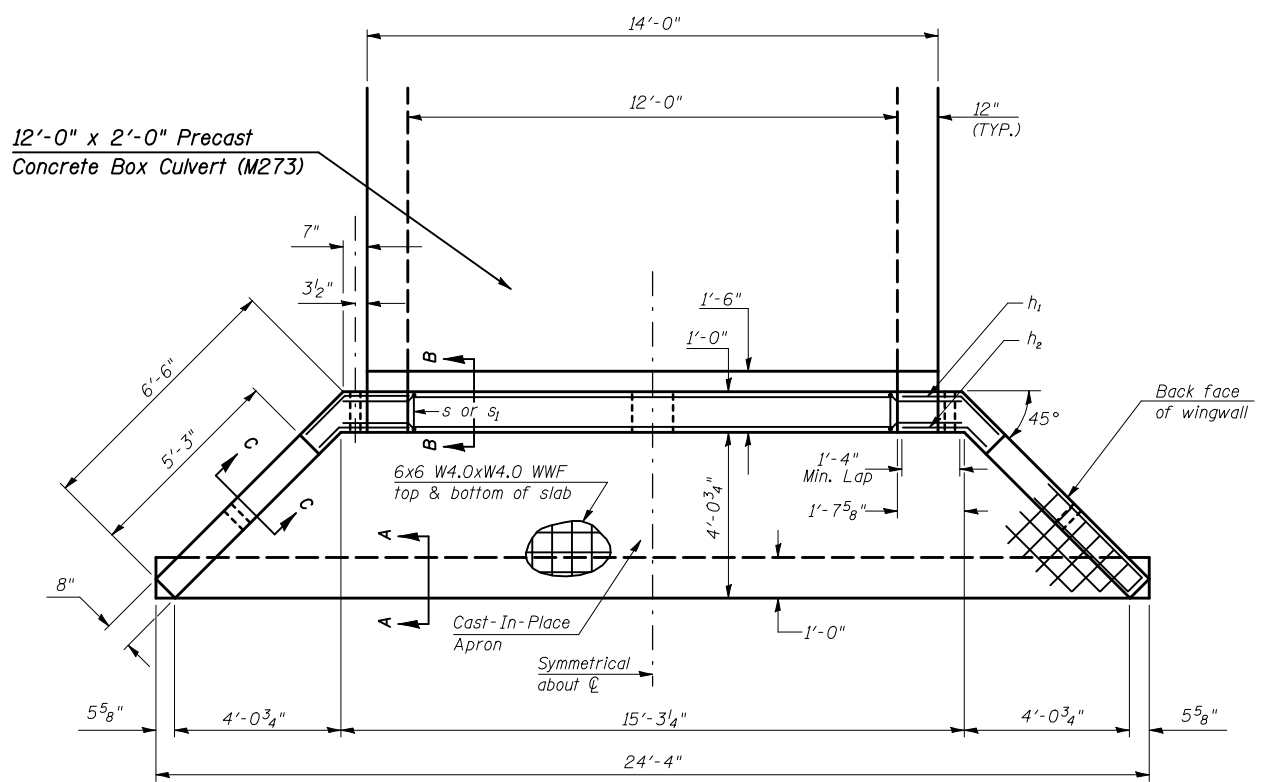
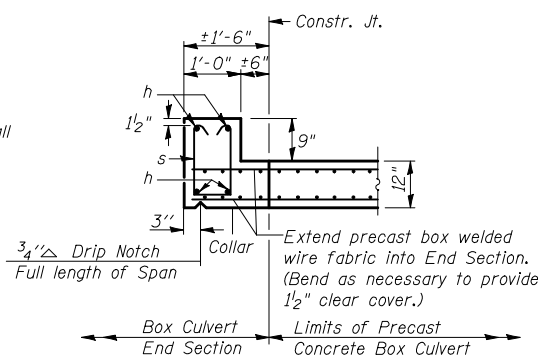
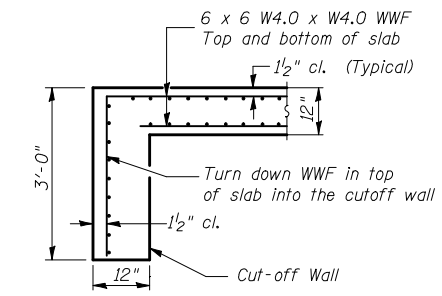
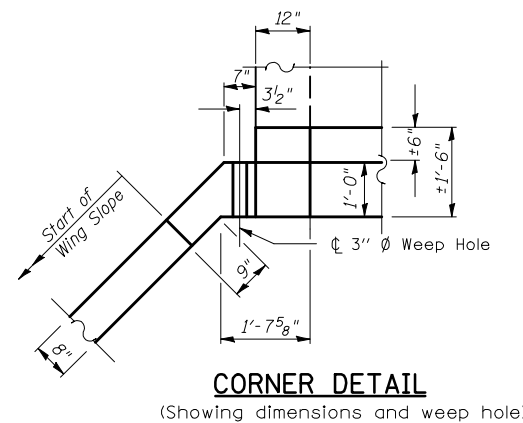
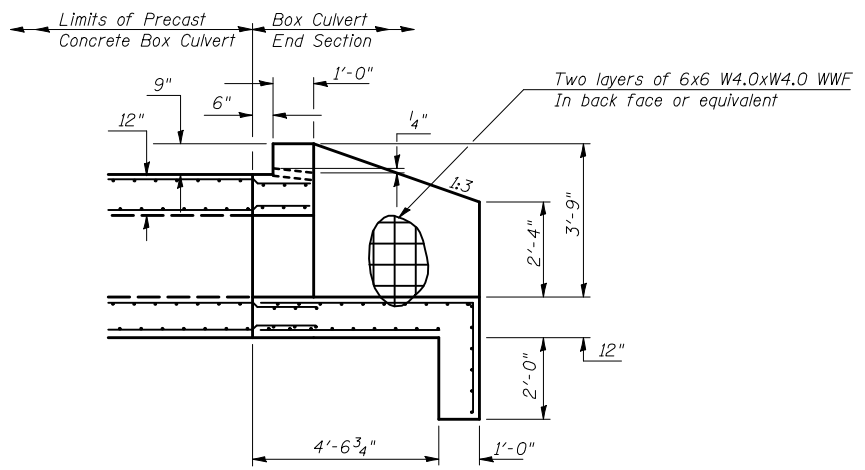
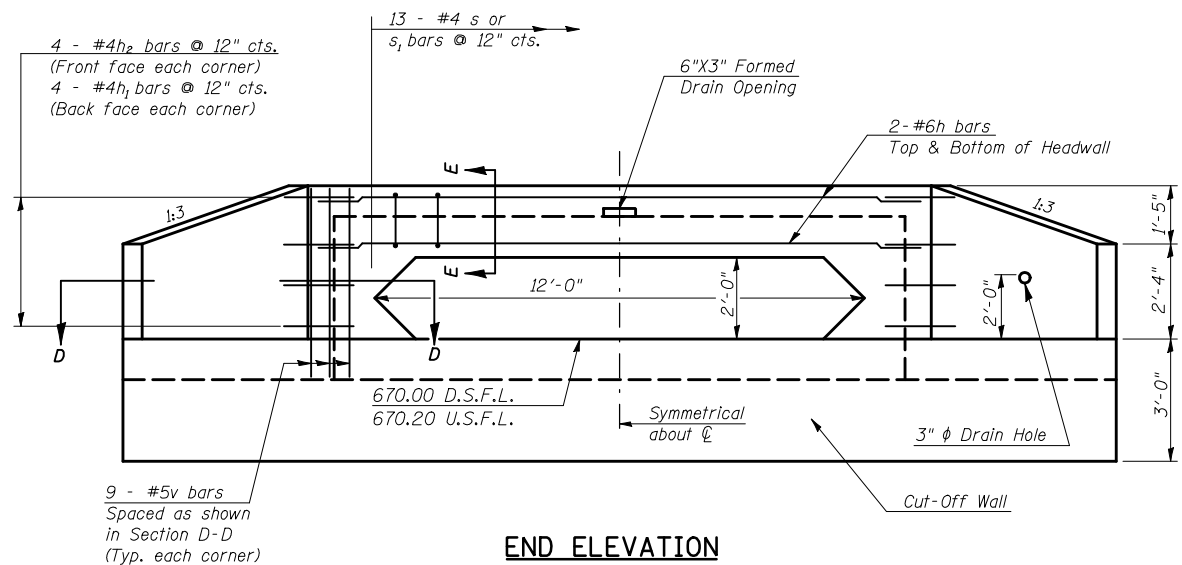


F.A.P. RTE.	SECTION	COUNTY	TOTAL SHEETS	SHEET NO.
808	.	..	715	263

(205,57,105)RS-2
 CHAMPAIGN & DOUGLAS



BILL OF MATERIAL

For Information Only
 (One End Section)

Bar	No.	Size	Length	Shape
h	4	#6	15'-3"	—
h ₁	10	#4	2'-9"	—
h ₂	10	#4	2'-2"	—
s or s ₁	14	#4	4'-6"	□ □
v	18	#5	4'-6"	—
Item	Unit	Total		
Class SI Concrete	Cu. Yd.	9.1		
Reinforcement Bars	Pound	242.0		
Welded Wire Fabric	Sq. Ft.	519.0		

SHEET 2 OF 4

END SECTION DETAILS
SINGLE 12'x2' PRECAST BOX CULVERT
F.A.P. ROUTE 808 - SECTION (205,57,105)RS-2
CHAMPAIGN COUNTY
STATION 2169+55.00, S.N. 010-8140
CULVERT NO. 9

PLOT DATE = 8/12/2009
 FILE NAME = c:\pvc\work\p1001\CEARL\CD\480181445\70623-shr-culvert_details.dgn
 PLOT SCALE = 4.23529 / IN.
 USER NAME = ceerlockjd