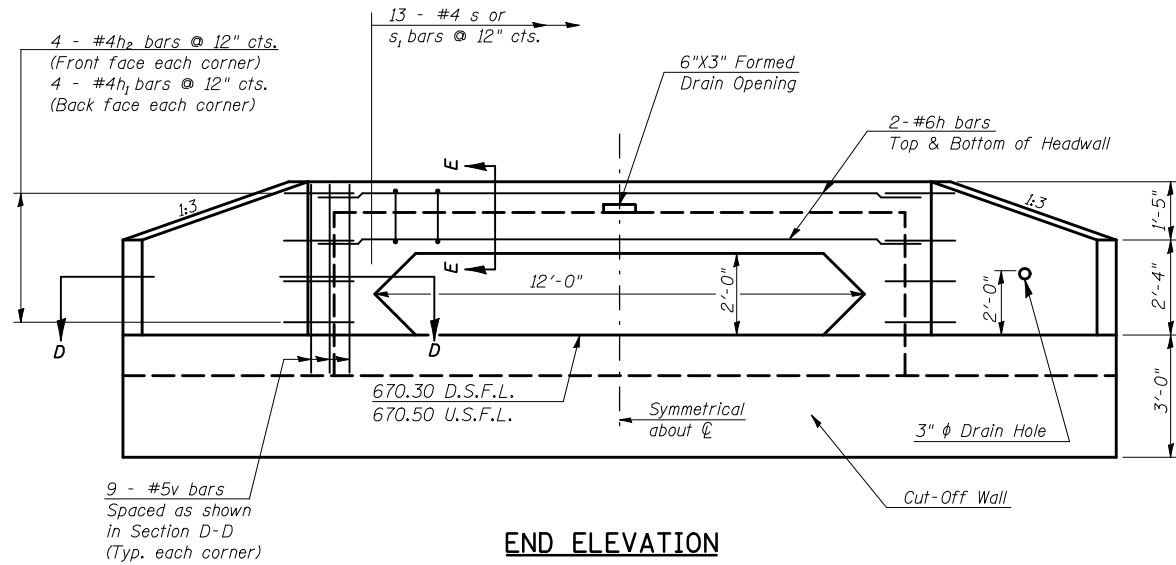
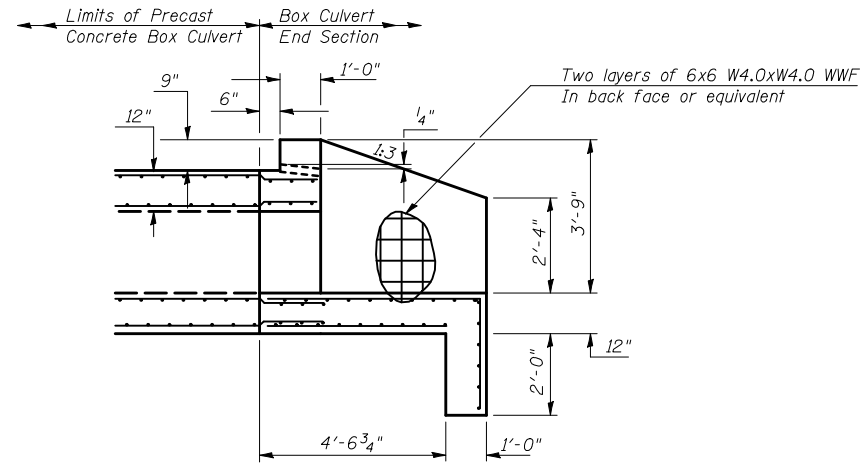


F.A.P. RTE.	SECTION	COUNTY	TOTAL SHEETS	SHEET NO.
808	.	..	715	267

(205,57,105)RS-2
 CHAMPAIGN & DOUGLAS

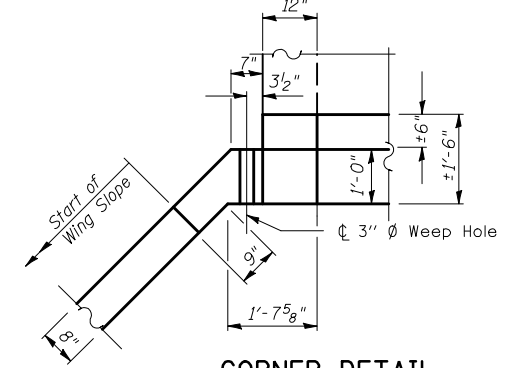


END ELEVATION



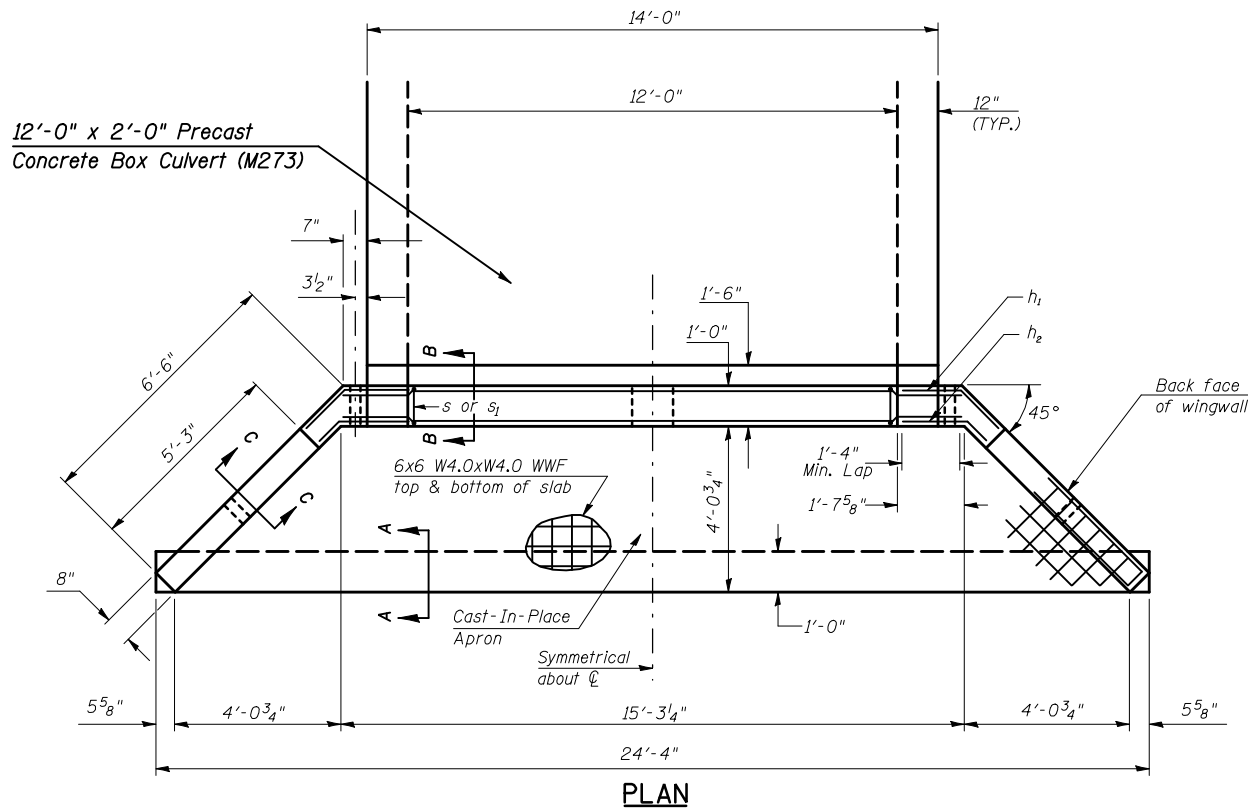
HALFSIDE ELEVATION

(DIMENSIONS AT RIGHT ANGLES TO CL ROADWAY)

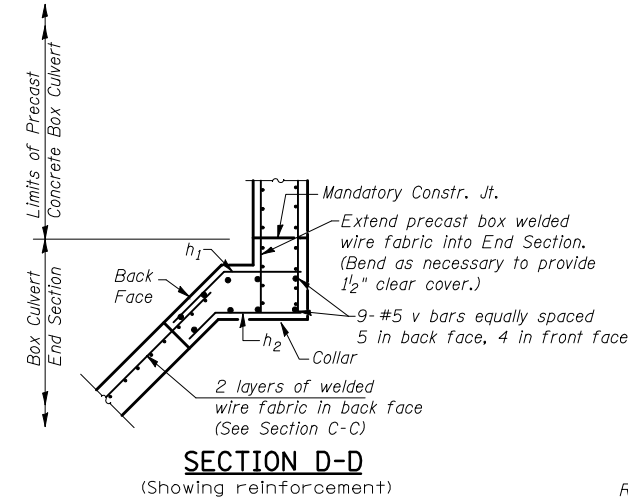


CORNER DETAIL

(Showing dimensions and weep hole)

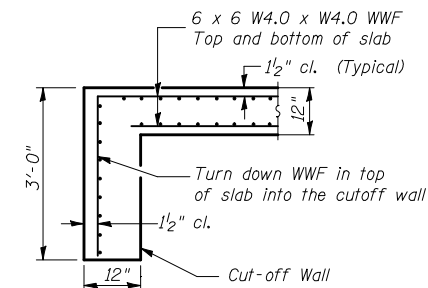


PLAN



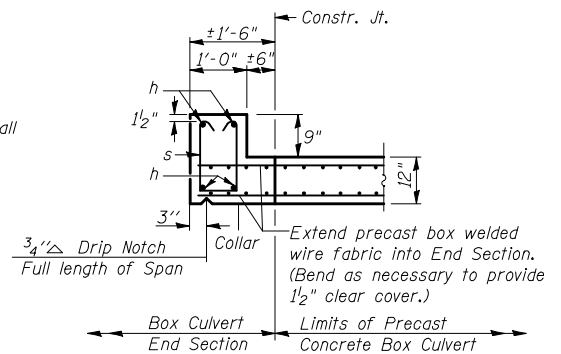
SECTION D-D

(Showing reinforcement)



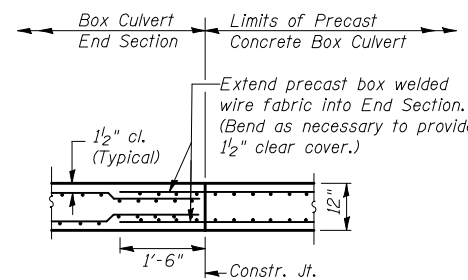
SECTION A-A

DOWNSTREAM END



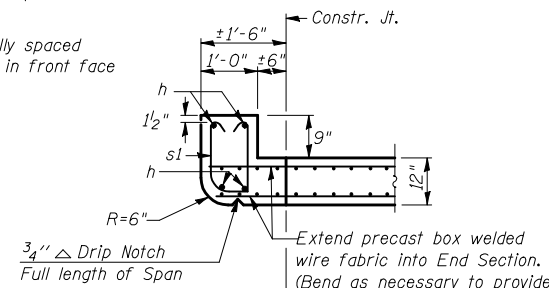
SECTION E-E

TOP SLAB / HEADWALL DOWNSTREAM END



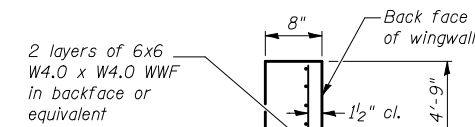
SECTION B-B

BOTTOM SLAB



SECTION E-E

TOP SLAB / HEADWALL UPSTREAM END



SECTION C-C

WINGWALLS

BILL OF MATERIAL

For Information Only
 (One End Section)

Bar	No.	Size	Length	Shape
h	4	#6	15'-3"	—
h ₁	10	#4	2'-9"	—
h ₂	10	#4	2'-2"	—
s or s ₁	14	#4	4'-6"	□ □
v	18	#5	4'-6"	—
Item		Unit	Total	
Class SI Concrete		Cu. Yd.	9.1	
Reinforcement Bars		Pound	242.0	
Welded Wire Fabric		Sq. Ft.	519.0	

SHEET 2 OF 4

END SECTION DETAILS
SINGLE 12'x2' PRECAST BOX CULVERT
 F.A.P. ROUTE 808 - SECTION (205,57,105)RS-2
 CHAMPAIGN COUNTY
 STATION 2171+00.00, S.N. 010-8139
 CULVERT NO. 10