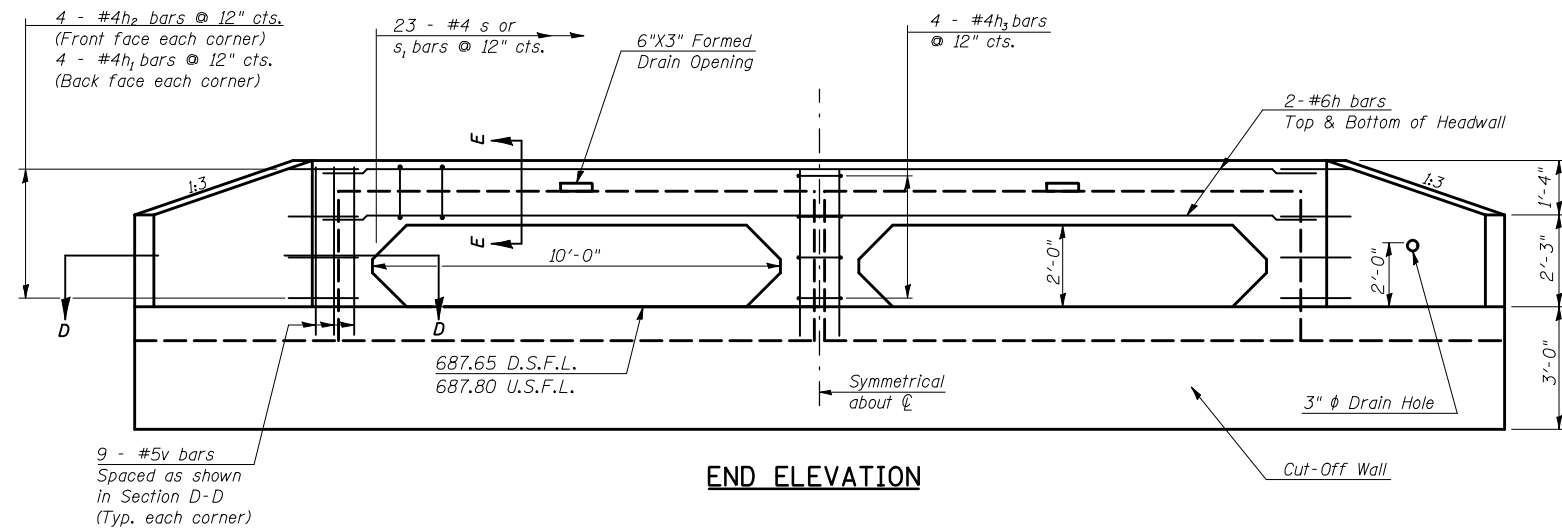
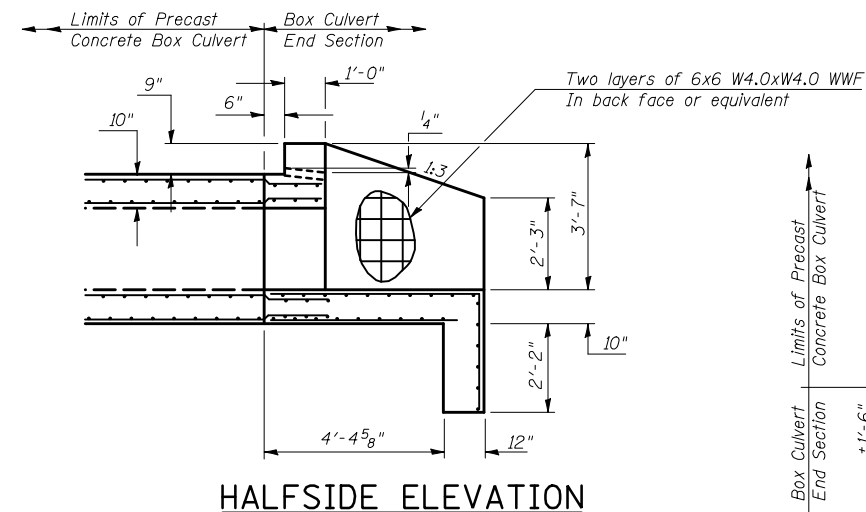


F.A.P. RTE.	SECTION	COUNTY	TOTAL SHEETS	SHEET NO.
808	.	..	715	271

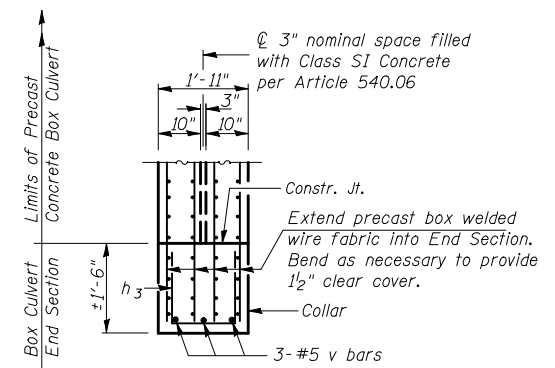
(205,57,105)RS-2  
 CHAMPAIGN & DOUGLAS



**END ELEVATION**

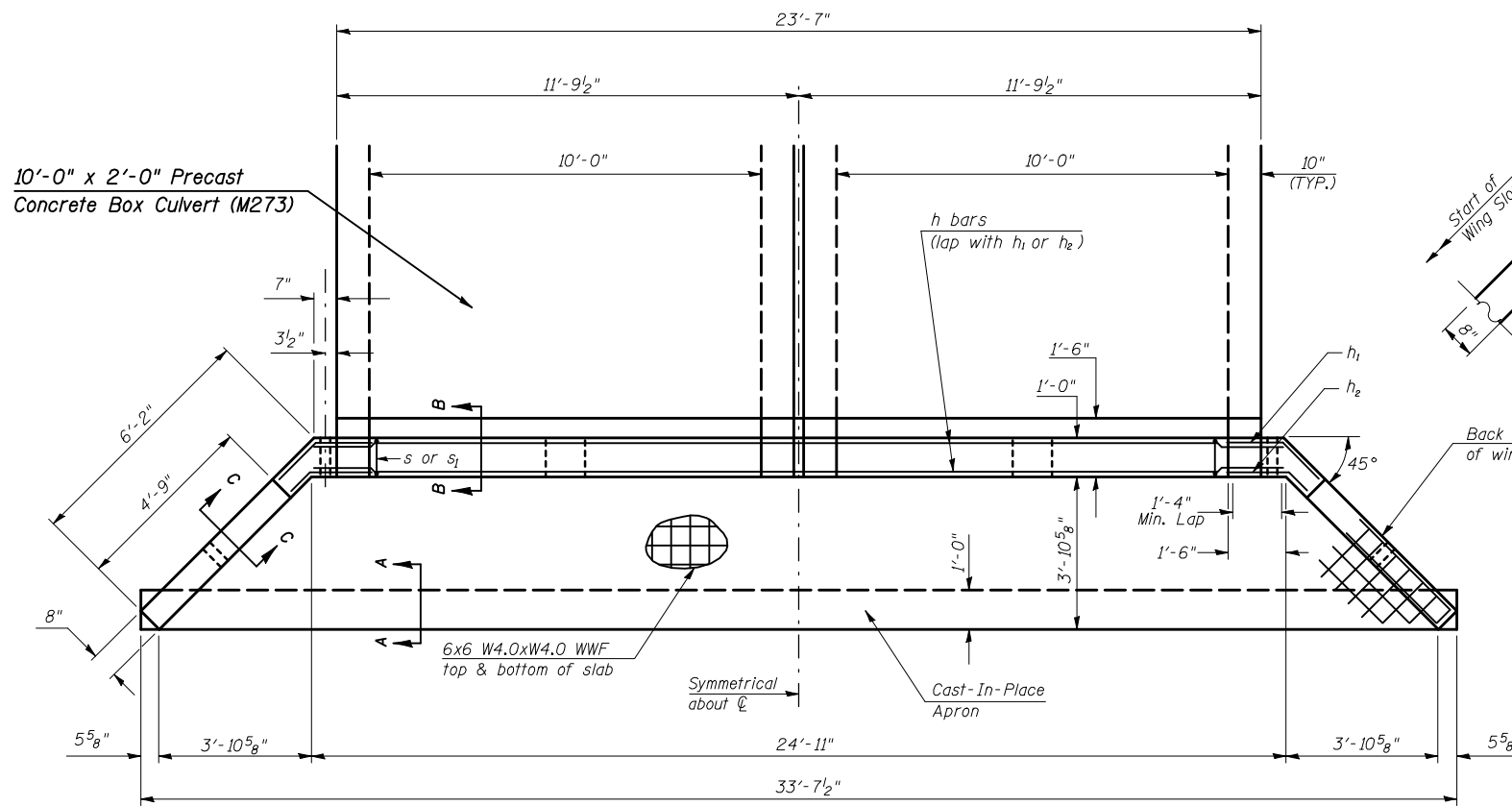


**HALFSIDE ELEVATION**  
 (DIMENSIONS AT RIGHT ANGLES TO CL ROADWAY)

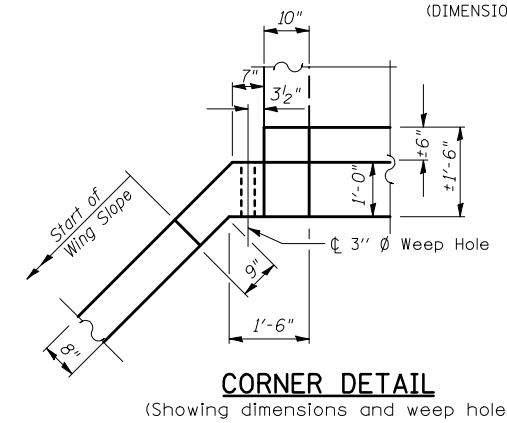


**SECTION E-E**

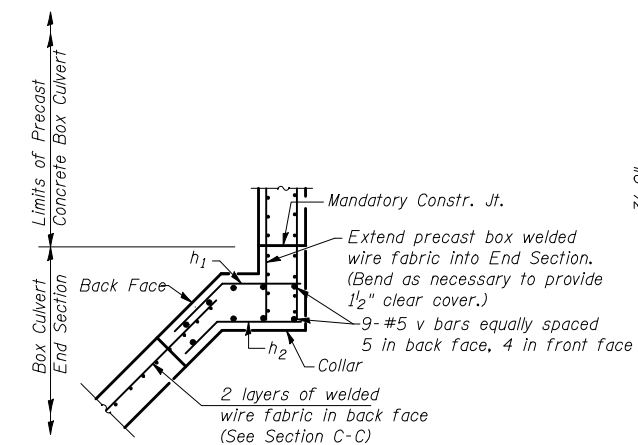
Tilt or adjust h3 bar as necessary to fit



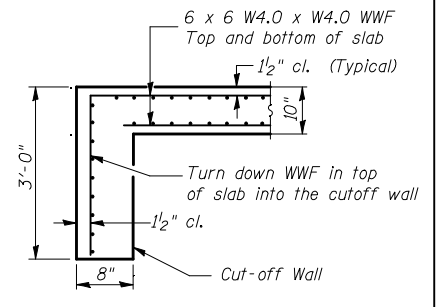
**PLAN**



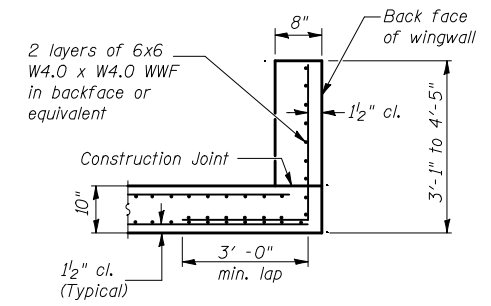
**CORNER DETAIL**  
 (Showing dimensions and weep hole)



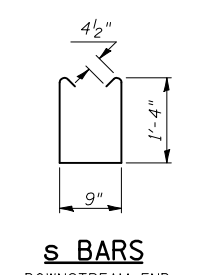
**SECTION D-D**  
 (Showing reinforcement)



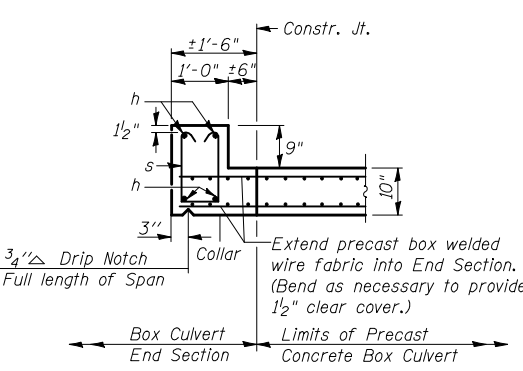
**SECTION A-A**  
 DOWNSTREAM END



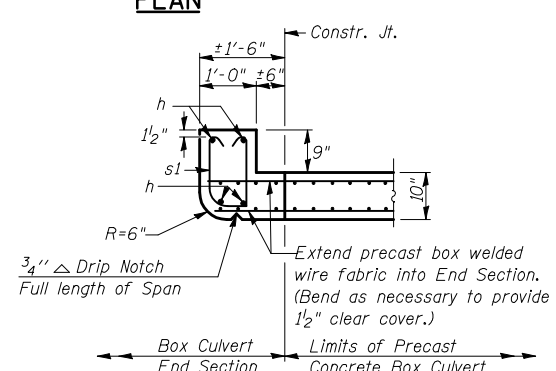
**SECTION C-C**  
 WINGWALLS



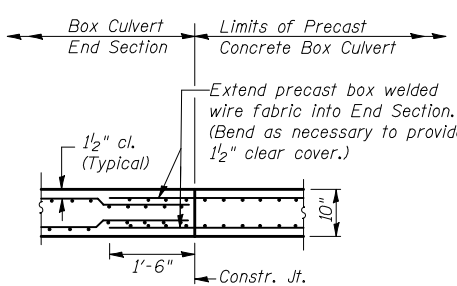
**s BARS**  
 DOWNSTREAM END



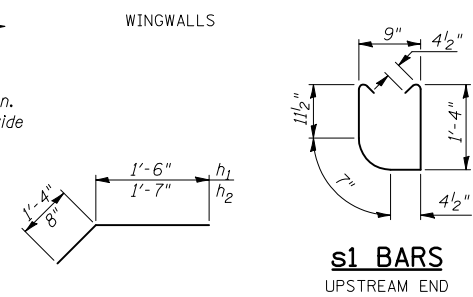
**SECTION E-E**  
 TOP SLAB / HEADWALL DOWNSTREAM END



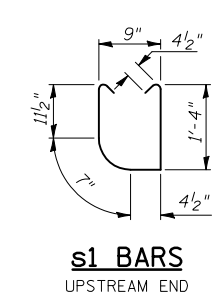
**SECTION E-E**  
 TOP SLAB / HEADWALL UPSTREAM END



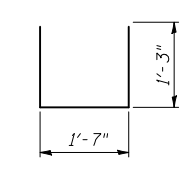
**SECTION B-B**  
 BOTTOM SLAB



**h1 & h2 BARS**



**s1 BARS**  
 UPSTREAM END



**h3 BARS**  
 DOWNSTREAM END

**BILL OF MATERIAL**

For Information Only  
 (One End Section)

Bar	No.	Size	Length	Shape
h	4	#6	24'-11"	—
h1	8	#4	2'-10"	—
h2	8	#4	2'-3"	—
h3	4	#4	4'-1"	—
s or s1	23	#4	4'-2"	—
v	21	#5	4'-2"	—
Item			Unit	Total
Class SI Concrete			Cu. Yd.	11.4
Reinforcement Bars			Pound	344.0
Welded Wire Fabric			Sq. Ft.	523.0

SHEET 2 OF 5

**END SECTION DETAILS**  
**DOUBLE 10'x2' PRECAST BOX CULVERT**  
 F.A.P. ROUTE 808 - SECTION (205,57,105)RS-2  
 CHAMPAIGN COUNTY  
 STATION 2224+94.00, S.N. 010-2035  
 CULVERT NO. 11

PLOT DATE = 8/12/2009  
 FILE NAME = c:\pvc\work\p10101\CEARL\CKD\4801445\70623-shr-culvert.dwg  
 PLOT SCALE = 42,3525 / IN.  
 USER NAME = ceerlockj