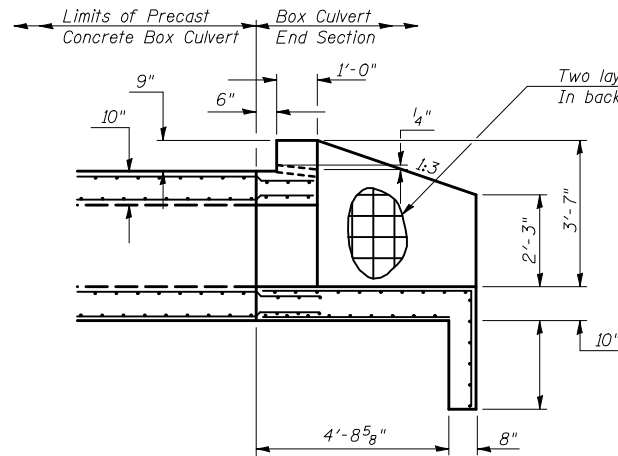


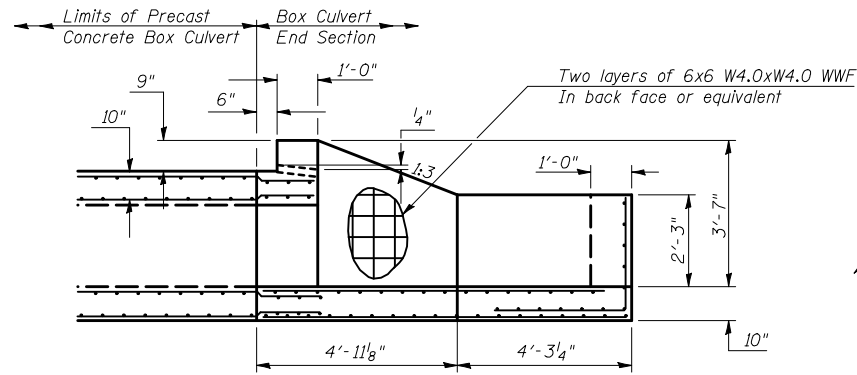
F.A.P. RTE.	SECTION	COUNTY	TOTAL SHEETS	SHEET NO.
808	.	**	715	277

- (205,57,105)RS-2
- CHAMPAIGN & DOUGLAS



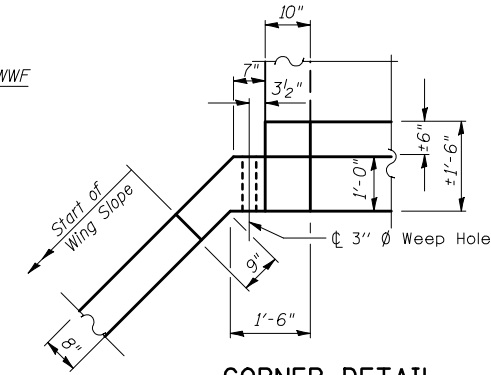
HALFSIDE ELEVATION

DOWNSTREAM END
(DIMENSIONS AT RIGHT ANGLES TO ϕ OF ROADWAY)



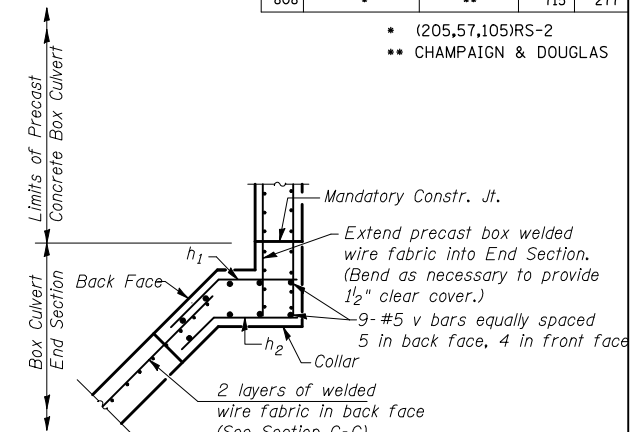
HALFSIDE ELEVATION

UPSTREAM END
(DIMENSIONS AT RIGHT ANGLES TO ϕ ROADWAY)



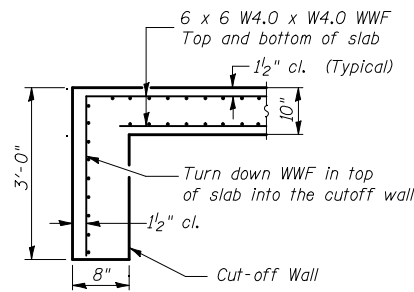
CORNER DETAIL

(Showing dimensions and weep hole)



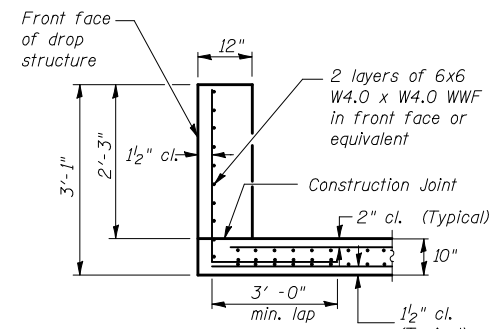
SECTION D-D

(Showing reinforcement)



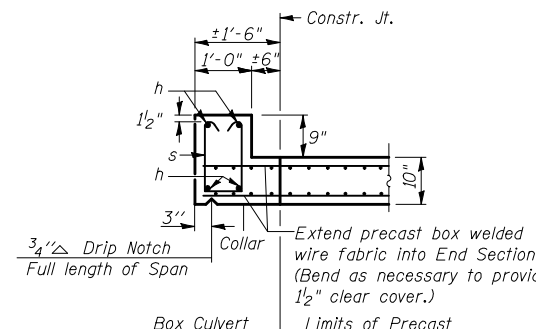
SECTION A-A

DOWNSTREAM END



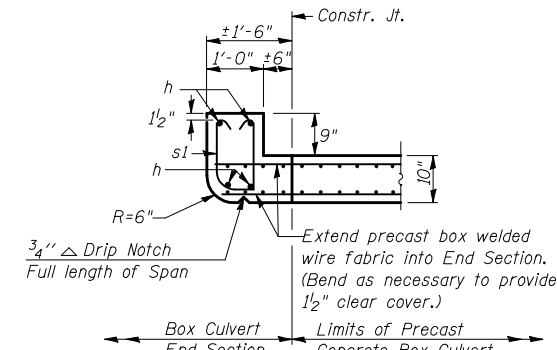
SECTION A-A

UPSTREAM END



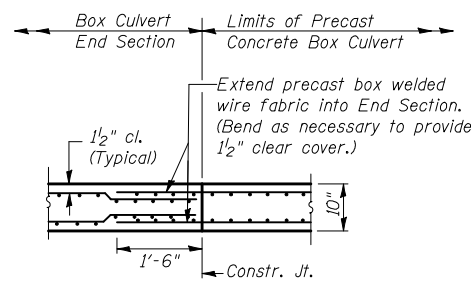
SECTION E-E

TOP SLAB / HEADWALL DOWNSTREAM END



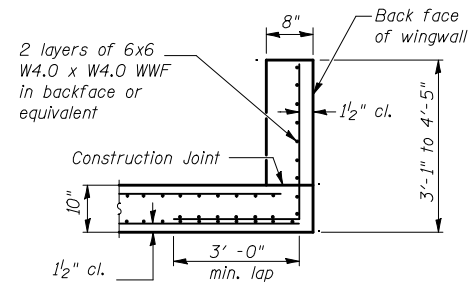
SECTION E-E

TOP SLAB / HEADWALL UPSTREAM END



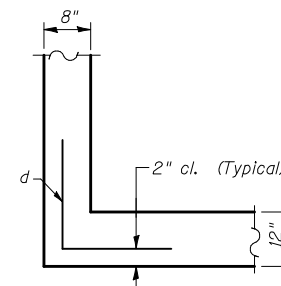
SECTION B-B

BOTTOM SLAB



SECTION C-C

WINGWALLS AND UPSTREAM DROP BOX



SECTION G-G

CORNER OF UPSTREAM DROP STRUCTURE

BILL OF MATERIAL (UPSTREAM END)

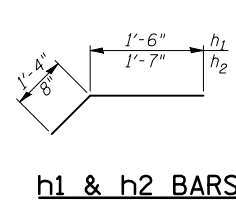
For Information Only
(One End Section)

Bar	No.	Size	Length	Shape
d	4	#4	4'-0"	┌
h	4	#6	12'-10"	—
h ₁	8	#4	2'-10"	┌
h ₂	8	#4	2'-3"	┌
s ₁	12	#4	4'-0"	┌
v	18	#5	4'-5"	—
Item		Unit	Total	
Class SI Concrete		Cu. Yd.	9.4	
Reinforcement Bars		Pound	231.0	
Welded Wire Fabric		Sq. Ft.	703.0	

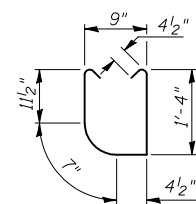
BILL OF MATERIAL (DOWNSTREAM END)

For Information Only
(One End Section)

Bar	No.	Size	Length	Shape
h	4	#6	12'-10"	—
h ₁	8	#4	2'-10"	┌
h ₂	8	#4	2'-3"	┌
s	12	#4	4'-2"	┌
v	18	#5	4'-5"	—
Item		Unit	Total	
Class SI Concrete		Cu. Yd.	6.3	
Reinforcement Bars		Pound	221.0	
Welded Wire Fabric		Sq. Ft.	333.0	

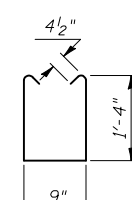


h₁ & h₂ BARS



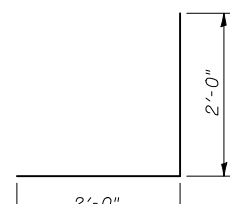
s₁ BARS

UPSTREAM END



s BARS

DOWNSTREAM END



d BARS

UPSTREAM END