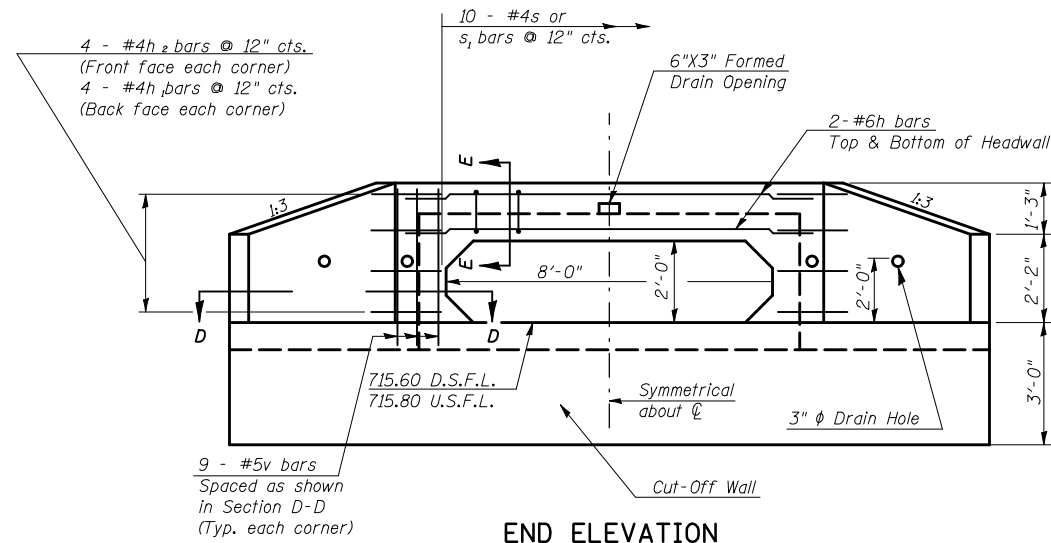
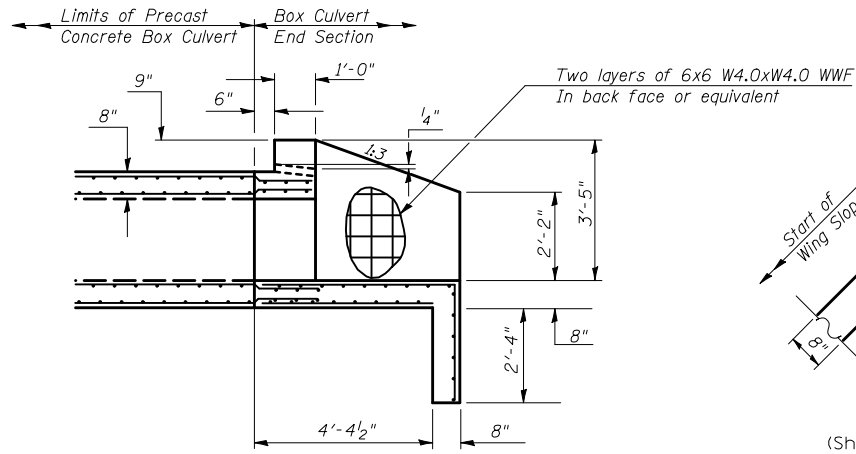


F.A.P. RTE.	SECTION	COUNTY	TOTAL SHEETS	SHEET NO.
808	.	..	715	288

(205,57,105)RS-2
 ** CHAMPAIGN & DOUGLAS

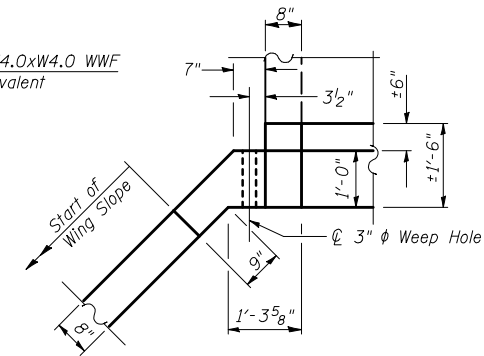


END ELEVATION

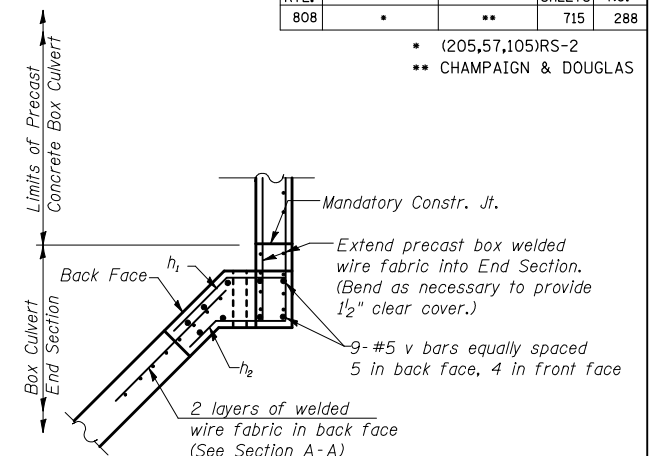


HALFSIDE ELEVATION

DIMENSIONS AT RIGHT ANGLES TO C OF ROADWAY)

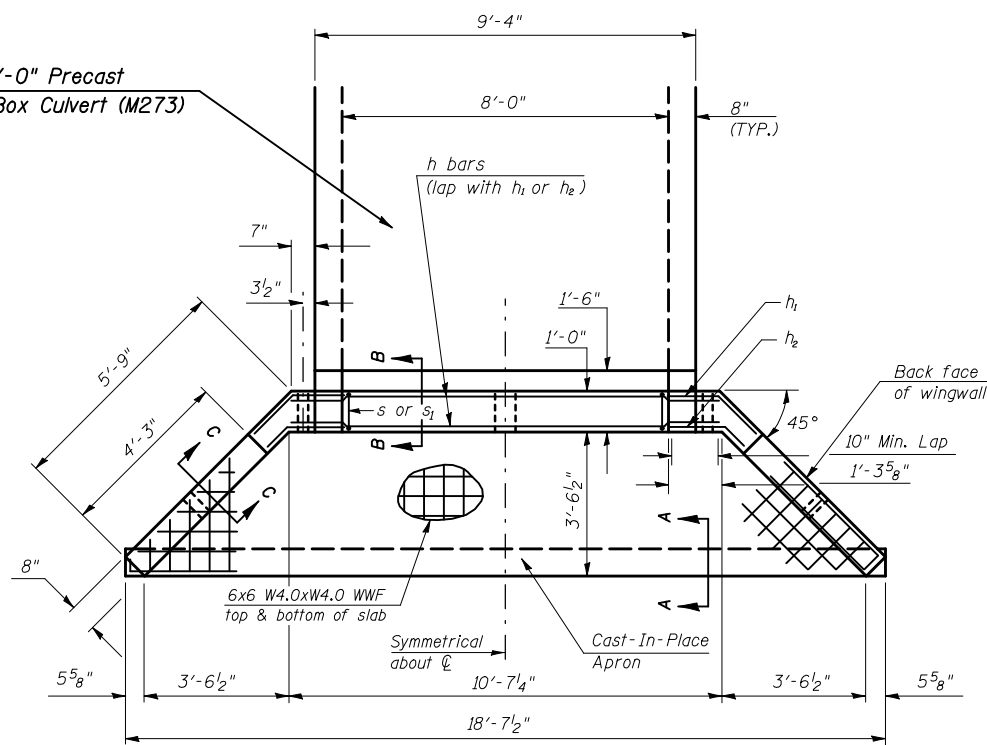


CORNER DETAIL
 (Showing dimensions and weep hole)

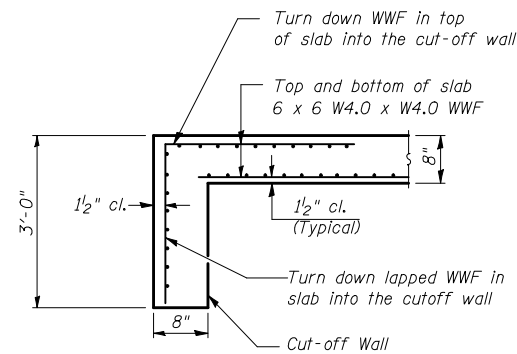


SECTION D-D
 (Showing reinforcement)

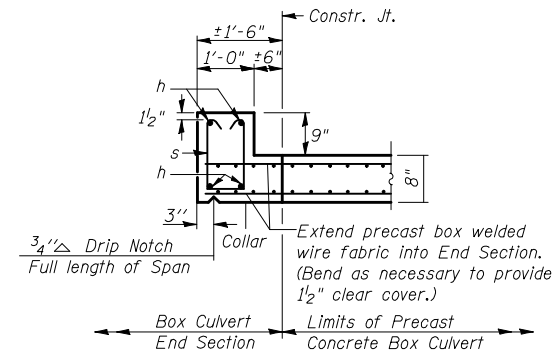
8'-0" x 2'-0" Precast Concrete Box Culvert (M273)



PLAN

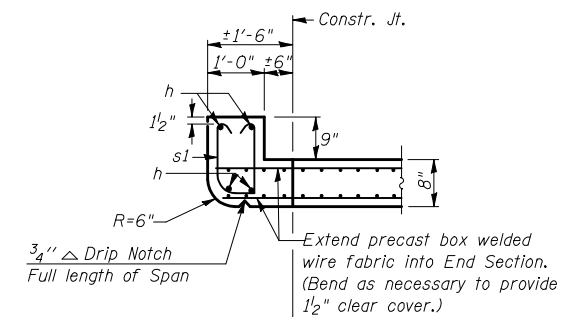


SECTION A-A



SECTION E-E

TOP SLAB / HEADWALL DOWNSTREAM END



SECTION E-E

TOP SLAB / HEADWALL UPSTREAM END

BILL OF MATERIAL

For Information Only
 (One End Section)

Bar	No.	Size	Length	Shape
h	4	#6	10'-8"	—
h1	8	#4	2'-9"	—
h2	8	#4	1'-11"	—
s or s1	10	#4	3'-10"	—
v	18	#5	3'-10"	—
Item			Unit	Total
Class SI Concrete			Cu. Yd.	4.5
Reinforcement Bars			Pound	187.0
Welded Wire Fabric			Sq. Ft.	303.0

SHEET 2 OF 4

END SECTION DETAILS

SINGLE 8'x2' PRECAST BOX CULVERT
 F.A.P. ROUTE 808 - SECTION (205,57,105)RS-2
 CHAMPAIGN COUNTY
 STATION 2280+50.00, S.N. 010-8136
 CULVERT NO. 14

