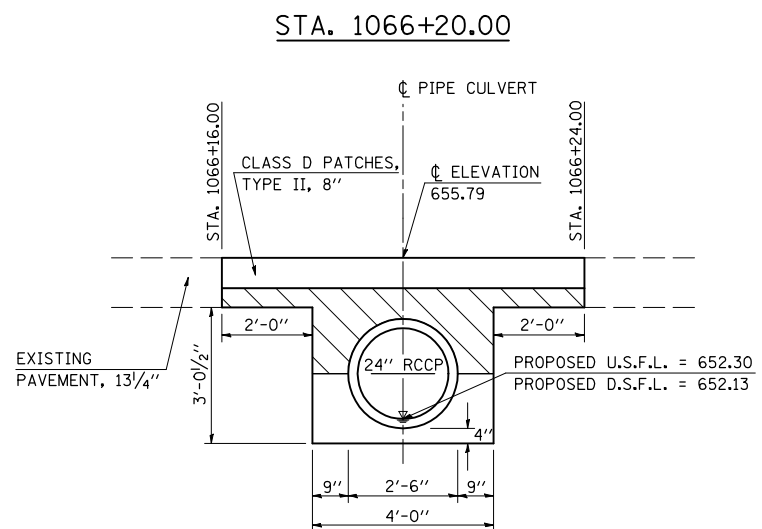
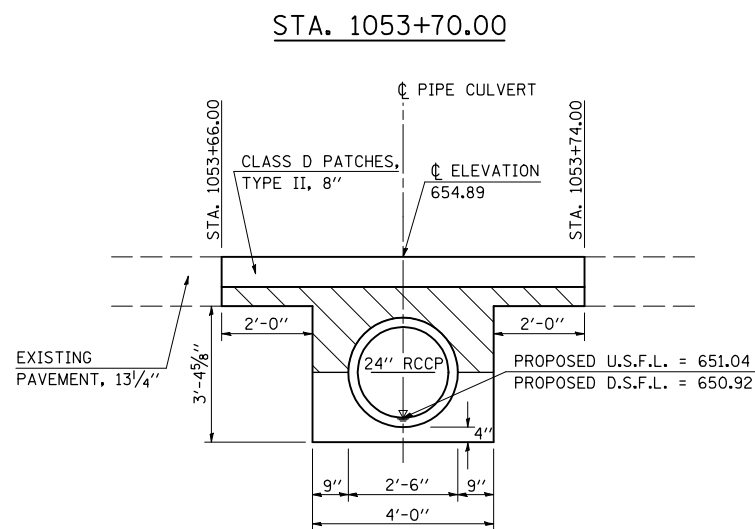
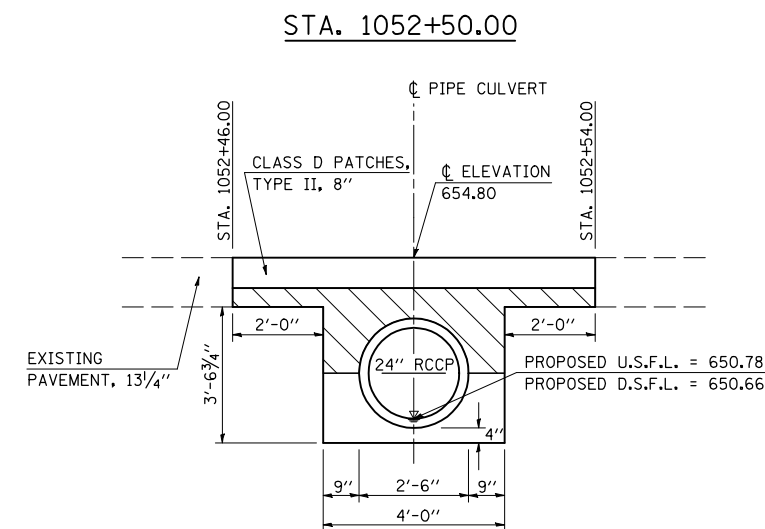
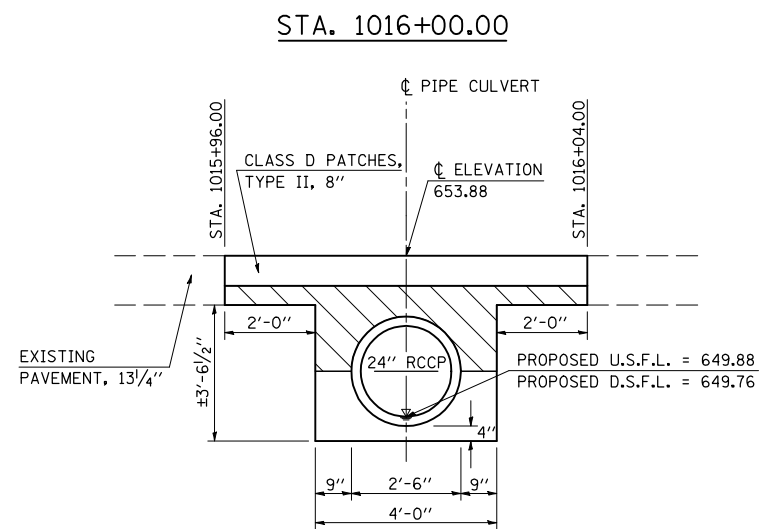
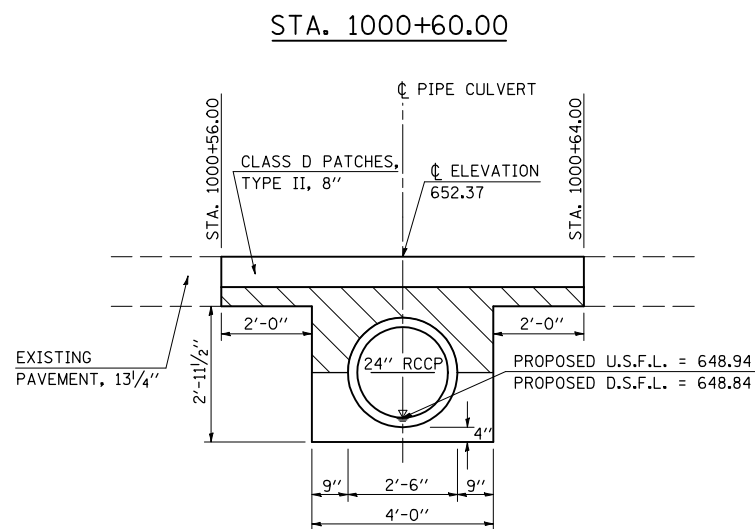


F.A.P. RTE.	SECTION	COUNTY	TOTAL SHEETS	SHEET NO.
808	*	**	715	296

STA. TO STA.
FED. ROAD DIST. NO. ILLINOIS FED. AID PROJECT

DETAIL OF POROUS GRANULAR BACKFILL PAY LIMITS 24" RCCP ACROSS ROAD PIPE CULVERTS

• (205,57,105)RS-2
•• CHAMPAIGN & DOUGLAS



LEGEND

PAY LIMITS OF POROUS GRANULAR BACKFILL - CA-6

DRAWING NOT TO SCALE

GENERAL NOTES

- 1) WORK SHOWN IN THE DETAIL SHALL BE PERFORMED IN ACCORDANCE WITH APPLICABLE PORTIONS OF SECTION 209 AND SECTION 542 OF THE STANDARD SPECIFICATIONS.
- 2) POROUS GRANULAR BACKFILL SHALL EXTEND 20 FT. LEFT AND 20 FT. RIGHT OF THE PAVEMENT CENTERLINE
- 3) THIS WORK SHALL BE PAID FOR AT THE CONTRACT UNIT PRICE PER CUBIC YARD FOR POROUS GRANULAR BACKFILL.
- 4) THE EXCAVATION FOR THE PROPOSED PIPE CULVERT WILL NOT BE PAID FOR SEPERATELY, BUT SHALL BE CONSIDERED INCIDENTAL TO THE PIPE CULVERT OF THE TYPE AND SIZE SPECIFIED.

ILLINOIS DEPARTMENT OF TRANSPORTATION
**DETAIL OF POROUS GRANULAR
BACKFILL PAY LIMITS
24" RCCP A.R. PIPE CULVERTS**

SCALE: N/A
DATE: 07/27/09

DRAWN BY: B.B.P.
CHECKED BY: G.A.E.

PLOT DATE = 8/12/2009
 FILE NAME = G:\DWG\WORK\K\PIWIDOT\CEARLOCK\DWG\010445\70623-sht-detailed.dgn
 USER NAME = cearlockj