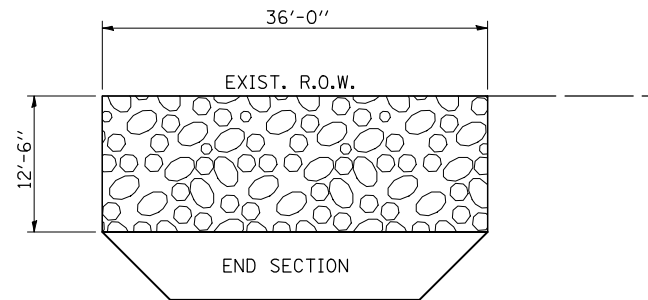


RIP-RAP DETAILS, PAY LIMITS & QUANTITIES

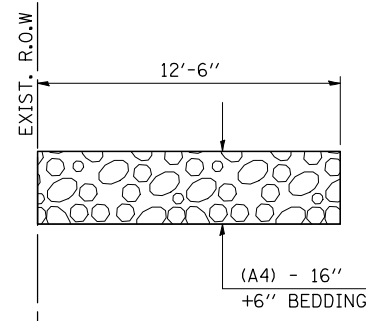
SHEET 1 OF 2

F.A.P. RTE.	SECTION	COUNTY	TOTAL SHEETS	SHEET NO.
808	*	**	715	299
STA.		TO STA.		
FED. ROAD DIST. NO.	ILLINOIS	FED. AID PROJECT		
• (205,57,105)RS-2 ** CHAMPAIGN & DOUGLAS				

LT. STATION 1145+38.00
CULVERT NO. 3



PLAN VIEW



END ELEVATION

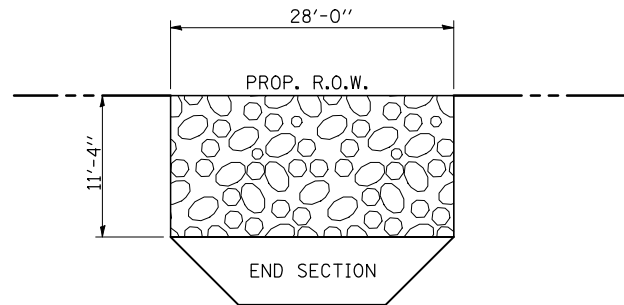
28100107 STONE RIPRAP, CLASS A4

STATION	LENGTH (FT)	WIDTH (FT)	AREA (SQ YD)
LT. 1145+38.00	36.00	12.50	50.00
TOTAL =			50.00 SQ YD

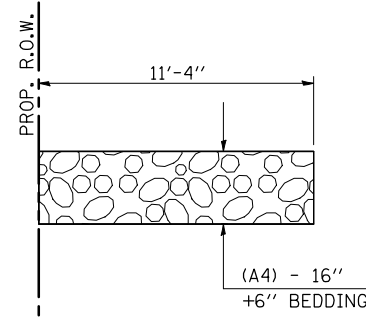
28200200 FILTER FABRIC

STATION	LENGTH (FT)	WIDTH (FT)	AREA (SQ YD)
LT. 1145+38.00	36.00	12.50	50.00
TOTAL =			50.00 SQ YD

LT. STATION 2025+00.00
CULVERT NO. 5



PLAN VIEW



END ELEVATION

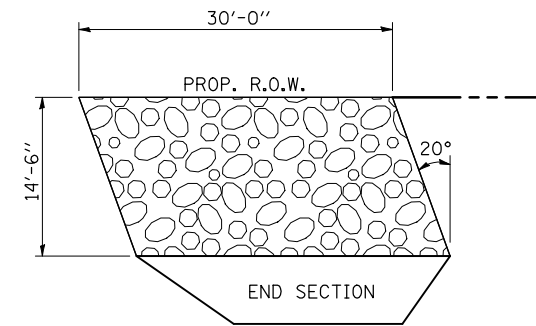
28100107 STONE RIPRAP, CLASS A4

STATION	LENGTH (FT)	WIDTH (FT)	AREA (SQ YD)
LT. 2025+00.00	28.00	11.33	35.25
TOTAL =			35.25 SQ YD
USE =			36.00 SQ YD

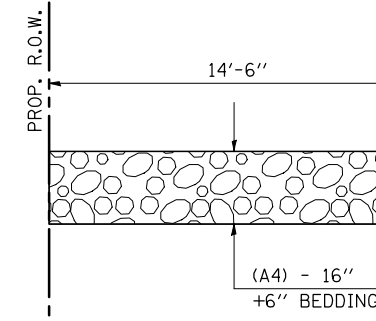
28200200 FILTER FABRIC

STATION	LENGTH (FT)	WIDTH (FT)	AREA (SQ YD)
LT. 2025+00.00	28.00	11.33	35.25
TOTAL =			35.25 SQ YD
USE =			36.00 SQ YD

LT. STATION 2030+82.00
CULVERT NO. 6



PLAN VIEW



END ELEVATION

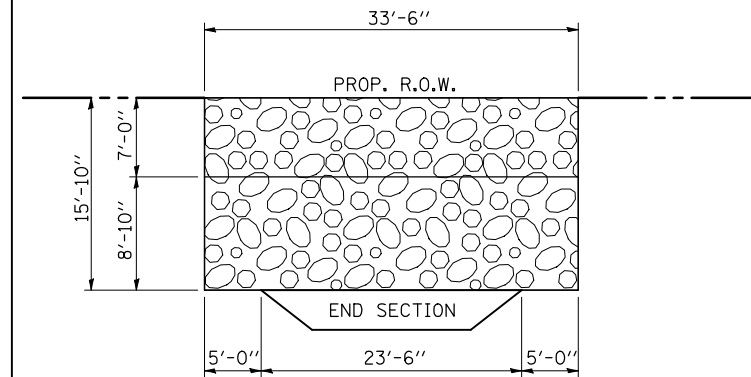
28100107 STONE RIPRAP, CLASS A4

STATION	LENGTH (FT)	WIDTH (FT)	AREA (SQ YD)
LT. 2030+82.00	30.00	14.50	48.33
TOTAL =			48.33 SQ YD
USE =			49.00 SQ YD

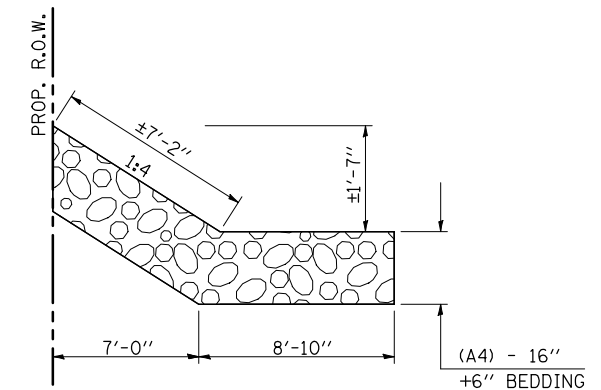
28200200 FILTER FABRIC

STATION	LENGTH (FT)	WIDTH (FT)	AREA (SQ YD)
LT. 2030+82.00	30.00	14.50	48.33
TOTAL =			48.33 SQ YD
USE =			49.00 SQ YD

LT. STATION 2140+90.00
CULVERT NO. 8



PLAN VIEW



END ELEVATION

28100107 STONE RIPRAP, CLASS A4

STATION	LENGTH (FT)	WIDTH (FT)	AREA (SQ YD)
LT. 2140+90.00	33.50	16.00	59.56
TOTAL =			59.56 SQ YD
USE =			60.00 SQ YD

28200200 FILTER FABRIC

STATION	LENGTH (FT)	WIDTH (FT)	AREA (SQ YD)
LT. 2140+90.00	33.50	16.00	59.56
TOTAL =			59.56 SQ YD
USE =			60.00 SQ YD

ILLINOIS DEPARTMENT OF TRANSPORTATION
RIP-RAP DETAILS, PAY LIMITS & QUANTITIES
SHEET 1 OF 2

SCALE: N/A
DATE: 07/31/09

DRAWN BY: B.B.P.
CHECKED BY: G.A.E.