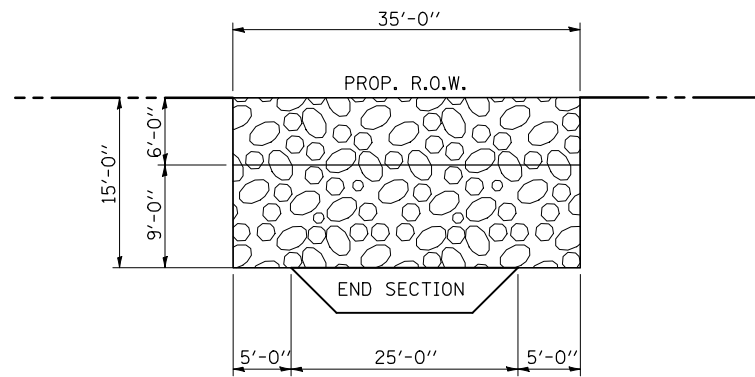


RIP-RAP DETAILS, PAY LIMITS & QUANTITIES

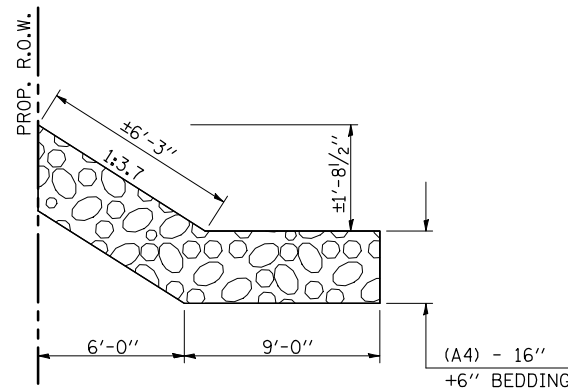
SHEET 2 OF 2

F.A.P. RTE.	SECTION	COUNTY	TOTAL SHEETS	SHEET NO.
808	*	**	715	300
STA.		TO STA.		
FED. ROAD DIST. NO.	ILLINOIS	FED. AID PROJECT		
• (205,57,105)RS-2 •• CHAMPAIGN & DOUGLAS				

**LT. STATION 2171+00.00
CULVERT NO. 10**



PLAN VIEW



END ELEVATION

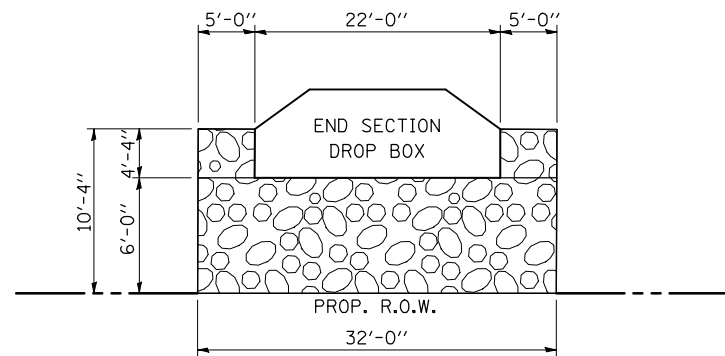
28100107 STONE RIPRAP, CLASS A4

STATION	LENGTH (FT)	WIDTH (FT)	AREA (SQ YD)
LT. 2171+00.00	35.00	15.25	59.31
TOTAL =			59.31 SQ YD
USE =			60.00 SQ YD

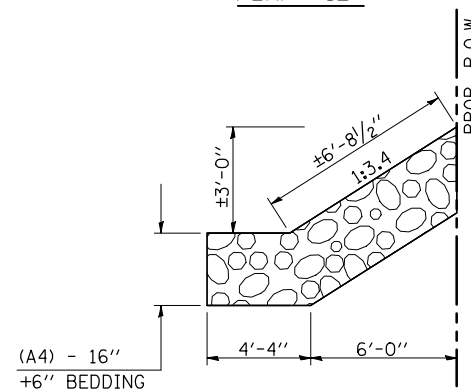
28200200 FILTER FABRIC

STATION	LENGTH (FT)	WIDTH (FT)	AREA (SQ YD)
LT. 2171+00.00	35.00	15.25	59.31
TOTAL =			59.31 SQ YD
USE =			60.00 SQ YD

**RT. STATION 2237+60.00
CULVERT NO. 12**



PLAN VIEW



END ELEVATION

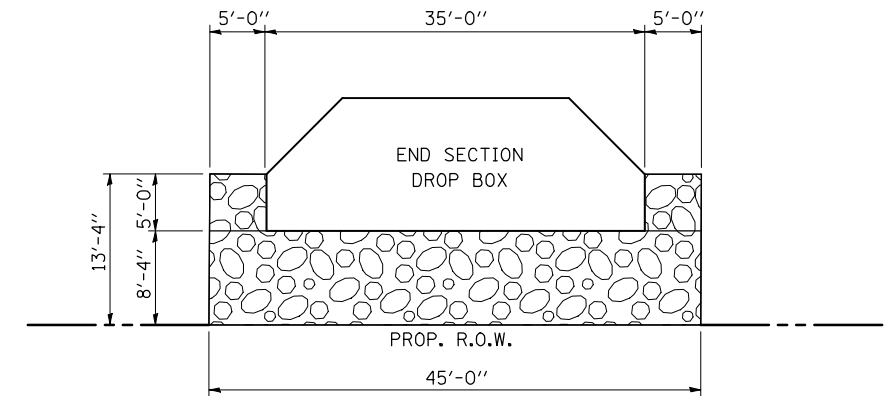
28100107 STONE RIPRAP, CLASS A4

STATION	LENGTH (FT)	WIDTH (FT)	AREA (SQ YD)
RT. 2237+60.00	10.00	4.33	4.81
RT. 2237+60.00	32.00	6.71	23.86
TOTAL =			28.67 SQ YD
USE =			29.00 SQ YD

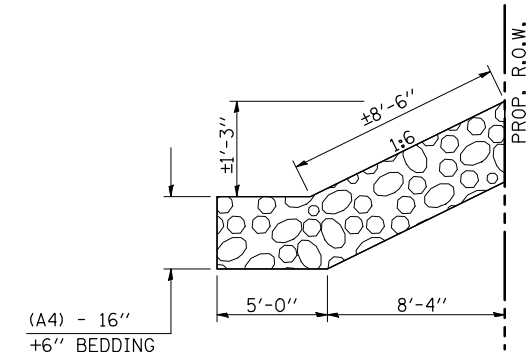
28200200 FILTER FABRIC

STATION	LENGTH (FT)	WIDTH (FT)	AREA (SQ YD)
RT. 2237+60.00	10.00	4.33	4.81
RT. 2237+60.00	32.00	6.71	23.86
TOTAL =			28.67 SQ YD
USE =			29.00 SQ YD

**RT. STATION 2264+91.00
CULVERT NO. 13**



PLAN VIEW



END ELEVATION

28100107 STONE RIPRAP, CLASS A4

STATION	LENGTH (FT)	WIDTH (FT)	AREA (SQ YD)
RT. 2264+91.00	10.00	5.00	5.56
RT. 2264+91.00	45.00	8.50	42.50
TOTAL =			48.06 SQ YD
USE =			48.00 SQ YD

28200200 FILTER FABRIC

STATION	LENGTH (FT)	WIDTH (FT)	AREA (SQ YD)
RT. 2264+91.00	10.00	5.00	5.56
RT. 2264+91.00	45.00	8.50	42.50
TOTAL =			48.06 SQ YD
USE =			48.00 SQ YD

ILLINOIS DEPARTMENT OF TRANSPORTATION
RIP-RAP DETAILS, PAY LIMITS & QUANTITIES
 SHEET 2 OF 2

SCALE: N/A
 DATE: 07/31/09

DRAWN BY: B.B.P.
 CHECKED BY: G.A.E.

PLOT DATE = 8/12/2009
 FILE NAME = G:\DWG\WORK\K\PIWDOT\CEARLOCK\DWG\010445\70623-sht-detailed.dgn
 USER NAME = ceartock\j