

F.A.P. RTE.	SECTION	COUNTY	TOTAL SHEETS	SHEET NO.
808	*	**	715	603
STA. 2194+75.00		TO STA. 2194+90.00		
FED. ROAD DIST. NO.	ILLINOIS	FED. AID PROJECT		
* (205.57, 105)RS-2 ** CHAMPAIGN & DOUGLAS				

BY	DATE

FINAL SURVEY	SURVEYED	PLOTTED	DATE

NO.	AREAS CHECKED

BY	DATE

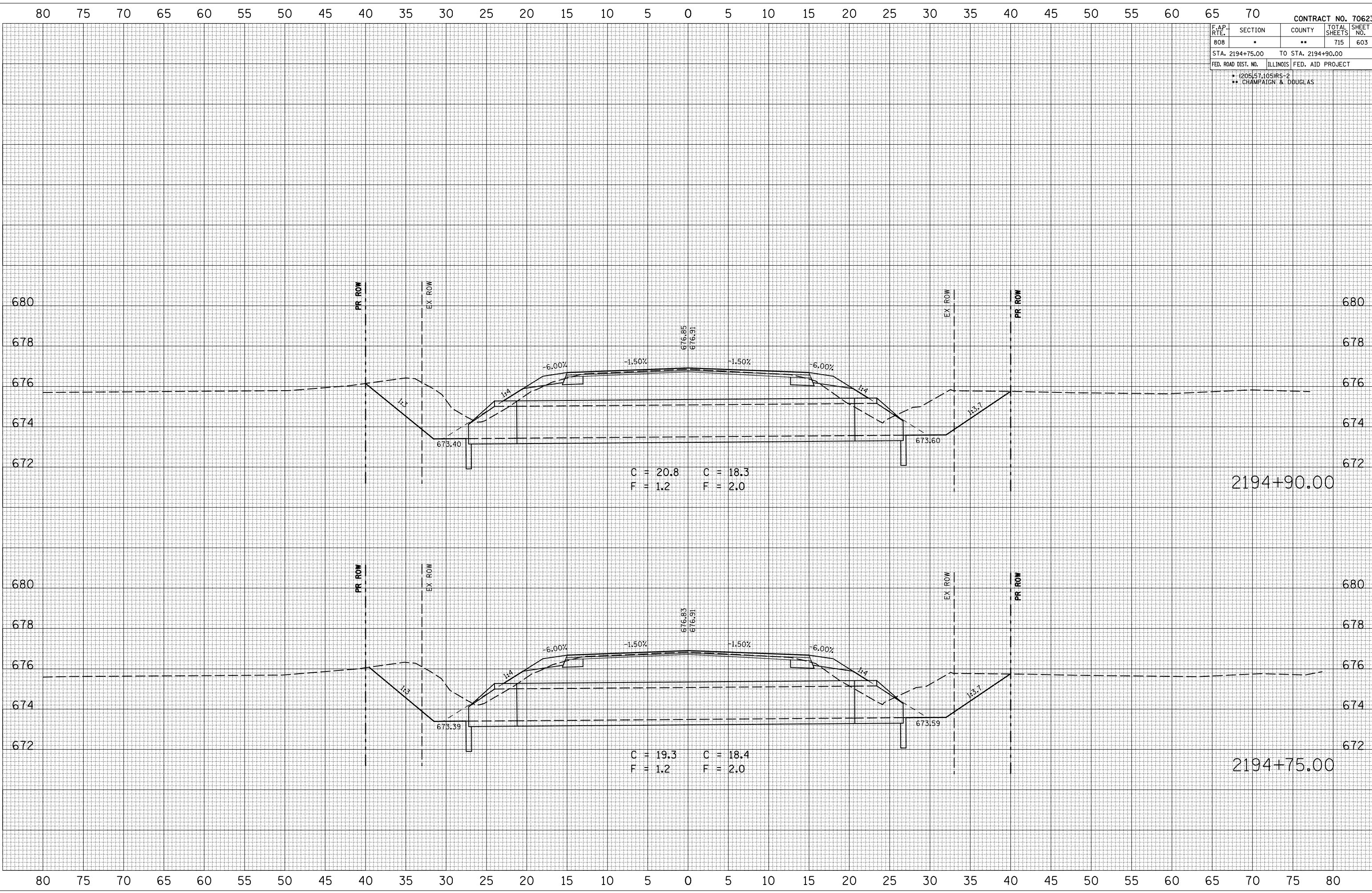
  

ORIGINAL SURVEY	SURVEYED	PLOTTED	DATE

NO.	AREAS CHECKED

PLOT DATE = 8/1/2009  
 FILE NAME = 1015582  
 PLOT SCALE = 1/8" = 100'  
 USER NAME = craigr



80 75 70 65 60 55 50 45 40 35 30 25 20 15 10 5 0 5 10 15 20 25 30 35 40 45 50 55 60 65 70

80 75 70 65 60 55 50 45 40 35 30 25 20 15 10 5 0 5 10 15 20 25 30 35 40 45 50 55 60 65 70 75 80