

F.A.P. RTE.	SECTION	COUNTY	TOTAL SHEETS	SHEET NO.
808	*	**	715	699

STA. 2303+21.00 TO STA. 2303+31.35  
 FED. ROAD DIST. NO. ILLINOIS FED. AID PROJECT

• (205)57,105)RS-2  
 \*\* CHAMPAIGN & DOUGLAS

BY	DATE

NO.

AREAS CHECKED

AREAS CHECKED

PLATE

NO.

NO.

NO.

NO.

NO.

NO.

NO.

NO.

NO.

NO.

NO.

NO.

NO.

NO.

NO.

NO.

NO.

NO.

NO.

NO.

NO.

NO.

NO.

NO.

NO.

NO.

NO.

NO.

NO.

NO.

NO.

NO.

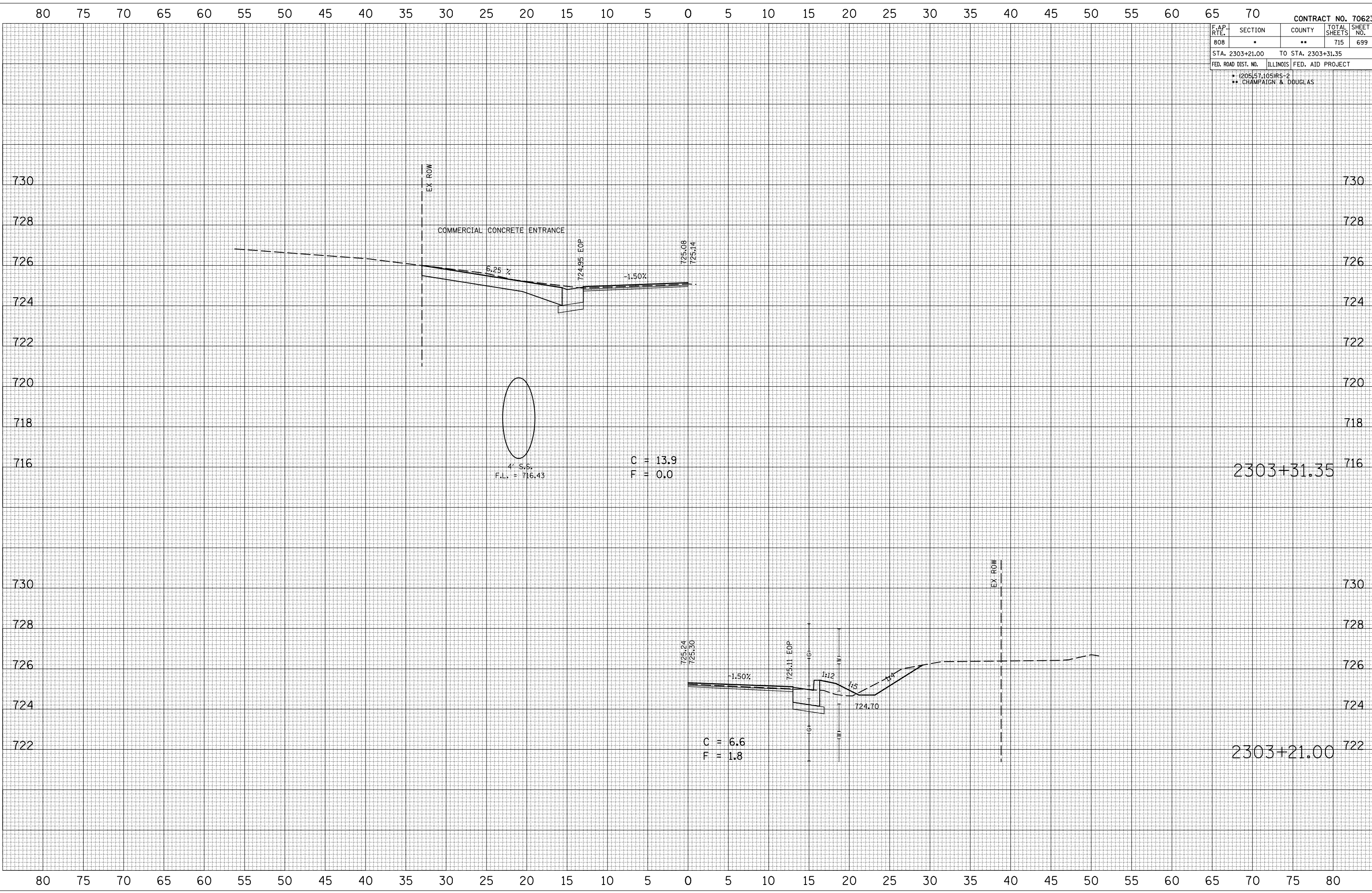
NO.

NO.

NO.

NO.

NO.



PLOT DATE = 8/1/2009  
 FILE NAME = 1015682  
 PLOT SCALE = 1/8" = 1' / IN.  
 USER NAME = craigr

NO.

NO.

NO.