

F.A.P. RTE.	SECTION	COUNTY	TOTAL SHEETS	SHEET NO.
808	*	**	715	702

STA. 2304+60.00 TO STA. 2304+91.70
 FED. ROAD DIST. NO. ILLINOIS FED. AID PROJECT

• (205)57,105)RS-2
 ** CHAMPAIGN & DOUGLAS

BY	DATE

NO.

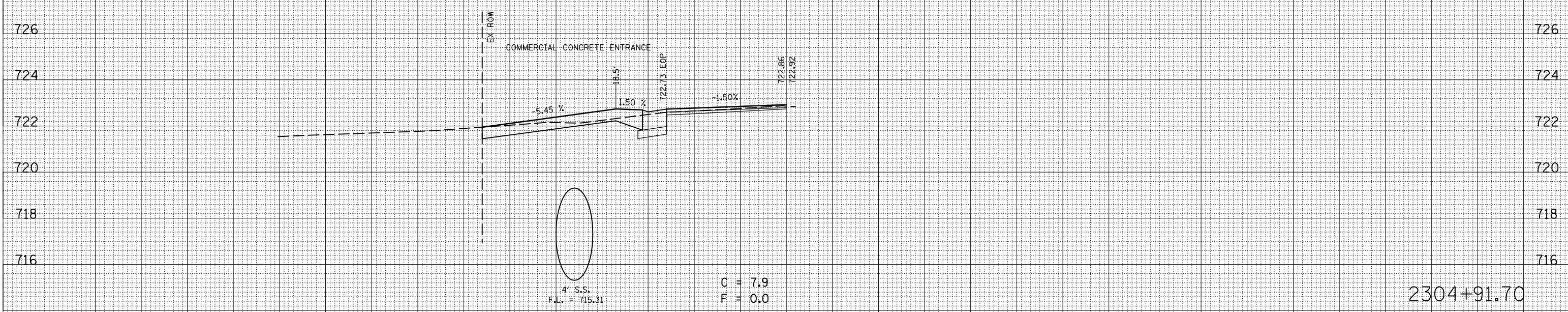
FINAL SURVEY

SURVEYED

PLOTTED

NOTE BOOK

AREAS CHECKED



C = 7.9
 F = 0.0

2304+91.70

BY	DATE

NO.

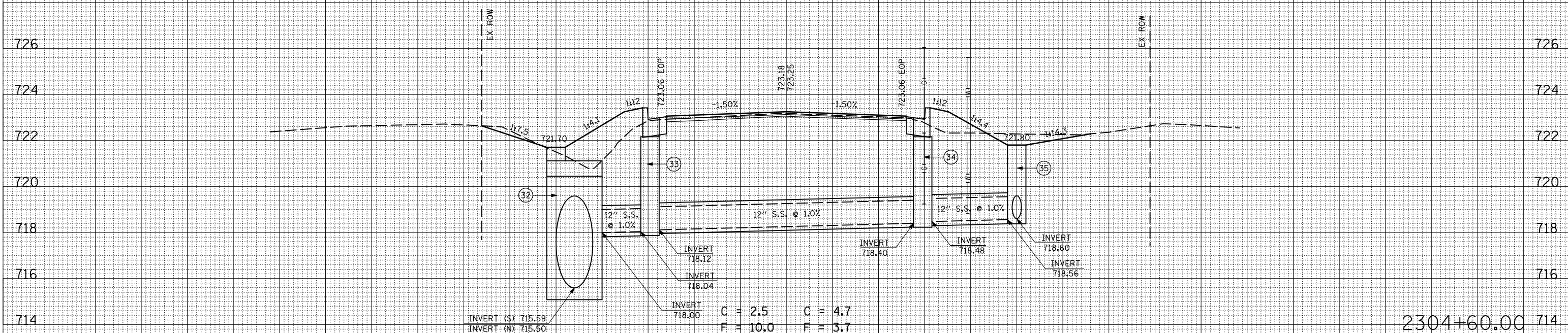
ORIGINAL SURVEY

SURVEYED

PLOTTED

NOTE BOOK

AREAS CHECKED



C = 2.5 C = 4.7
 F = 10.0 F = 3.7

2304+60.00

PLOT DATE = 8/1/2009
 FILE NAME = I:\105682\Drawings\2304\2304.dwg
 PLOT SCALE = 1/8" = 1'-0"
 USER NAME = craigr