

F.A.P. RTE.	SECTION	COUNTY	TOTAL SHEETS	SHEET NO.
808	*	**	715	601

STA. 2191+00.00 TO STA. 2192+00.00
FED. ROAD DIST. NO. ILLINOIS FED. AID PROJECT
* (205)57.105(RS-2)
** CHAMPAIGN & DOUGLAS

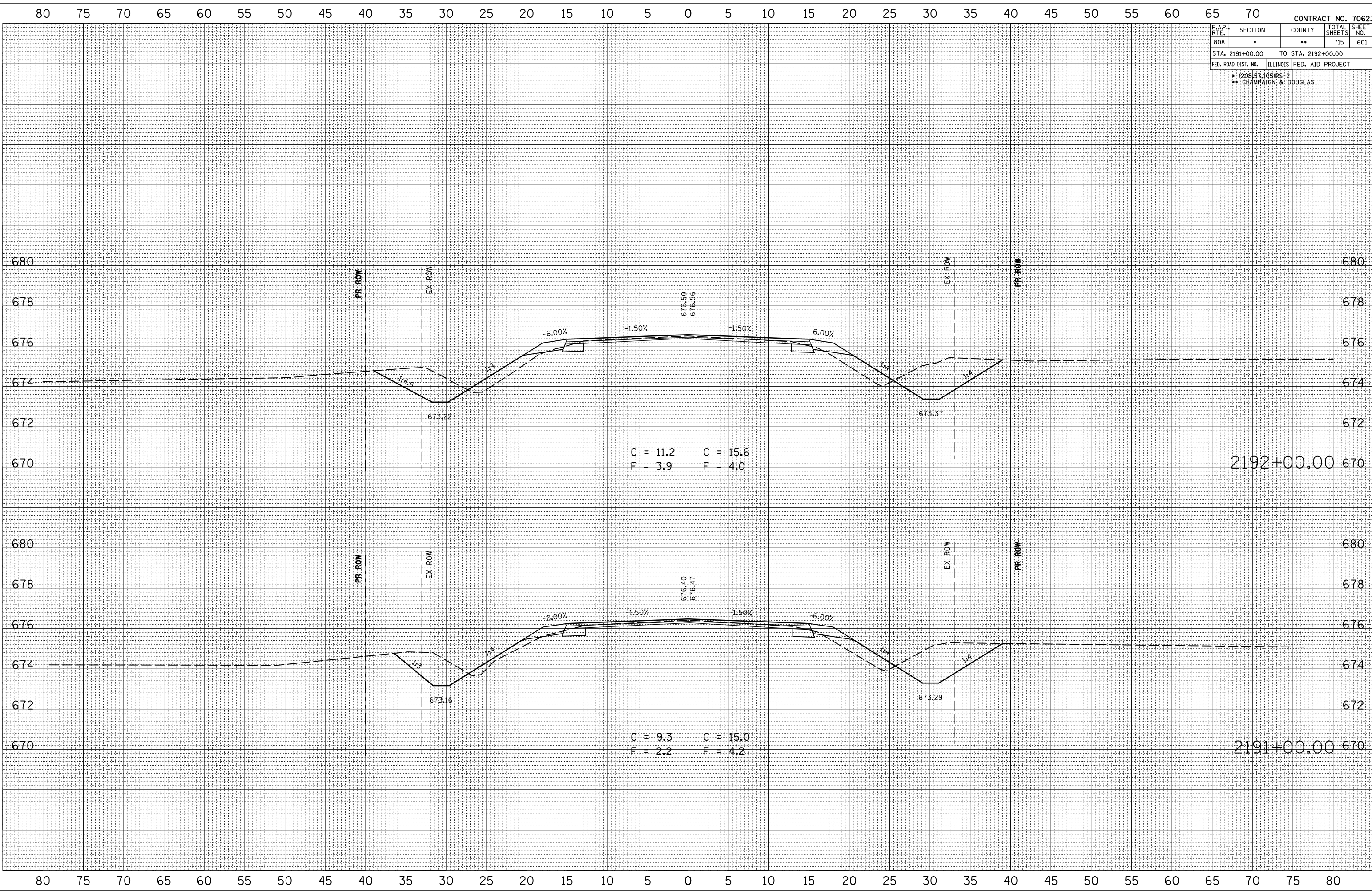
BY	DATE

NO. SURVEYED SURVEY PLOTTED PLOTTED
NOTE BOOK AREAS AREAS
AREAS CHECKED

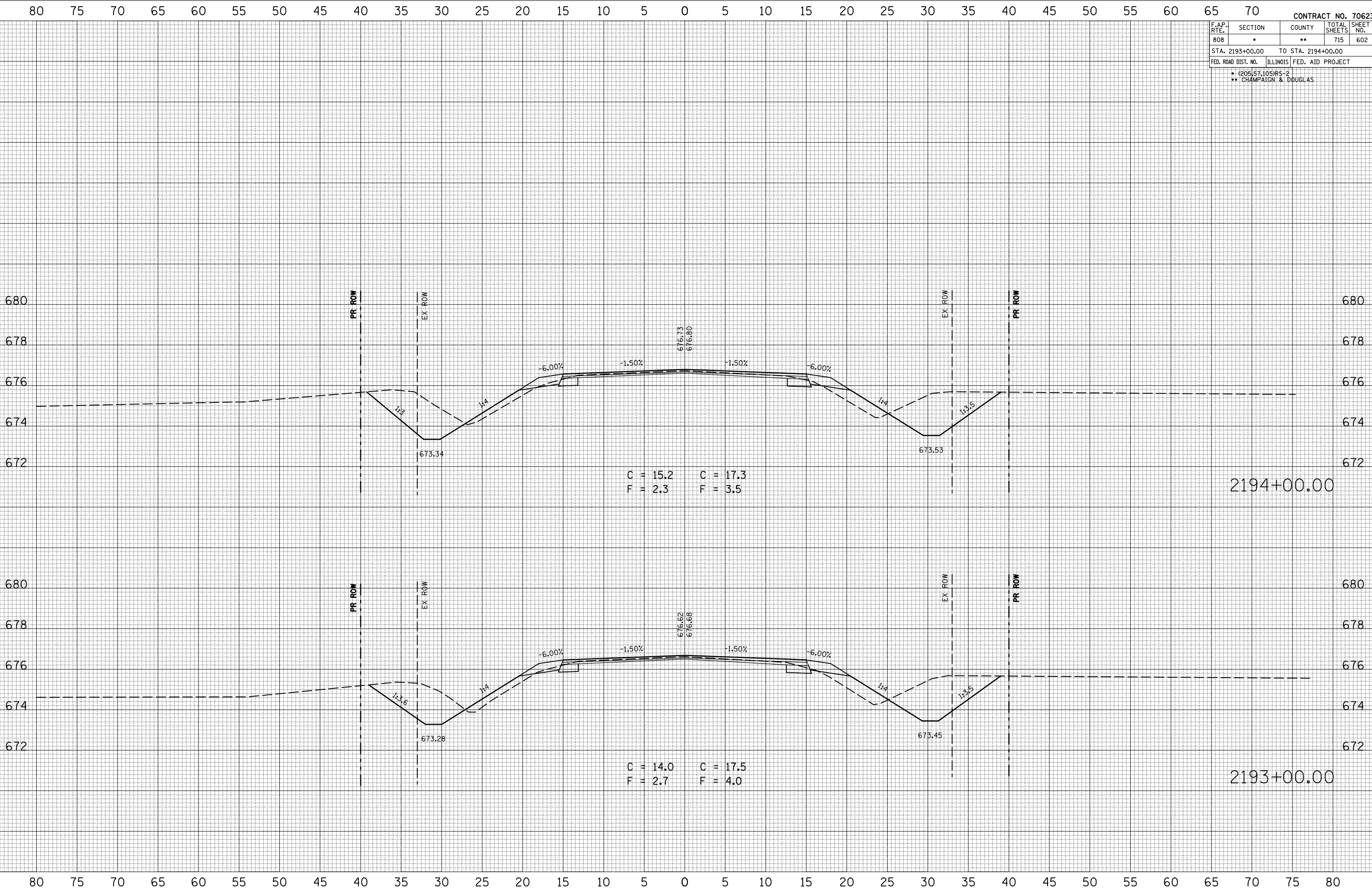
BY	DATE

NO. SURVEYED SURVEY PLOTTED PLOTTED
NOTE BOOK AREAS AREAS
AREAS CHECKED

PLOT DATE = 8/1/2009
FILE NAME = I:\10582\CRAIGRE\1919\19191010.DOT\CRAIGRE\1919\19191010.PLOT
PLOT SCALE = 1/8"=1'-0" / IN.
USER NAME = craigre



F.A.P. RTE.	SECTION	COUNTY	TOTAL SHEETS	SHEET NO.
808	*	**	715	602
STA. 2193+00.00 TO STA. 2194+00.00				
FED. ROAD DIST. NO.			ILLINOIS	FED. AID PROJECT
* 205.57.105RS-2 ** CHAMPAIGN & DOUGLAS				



BY	DATE
FINAL SURVEY	
SURVEYED	
PLOTTED	
NOTE BOOK	
AREAS CHECKED	
NO.	

BY	DATE
ORIGINAL SURVEY	
SURVEYED	
PLOTTED	
NOTE BOOK	
AREAS CHECKED	
NO.	

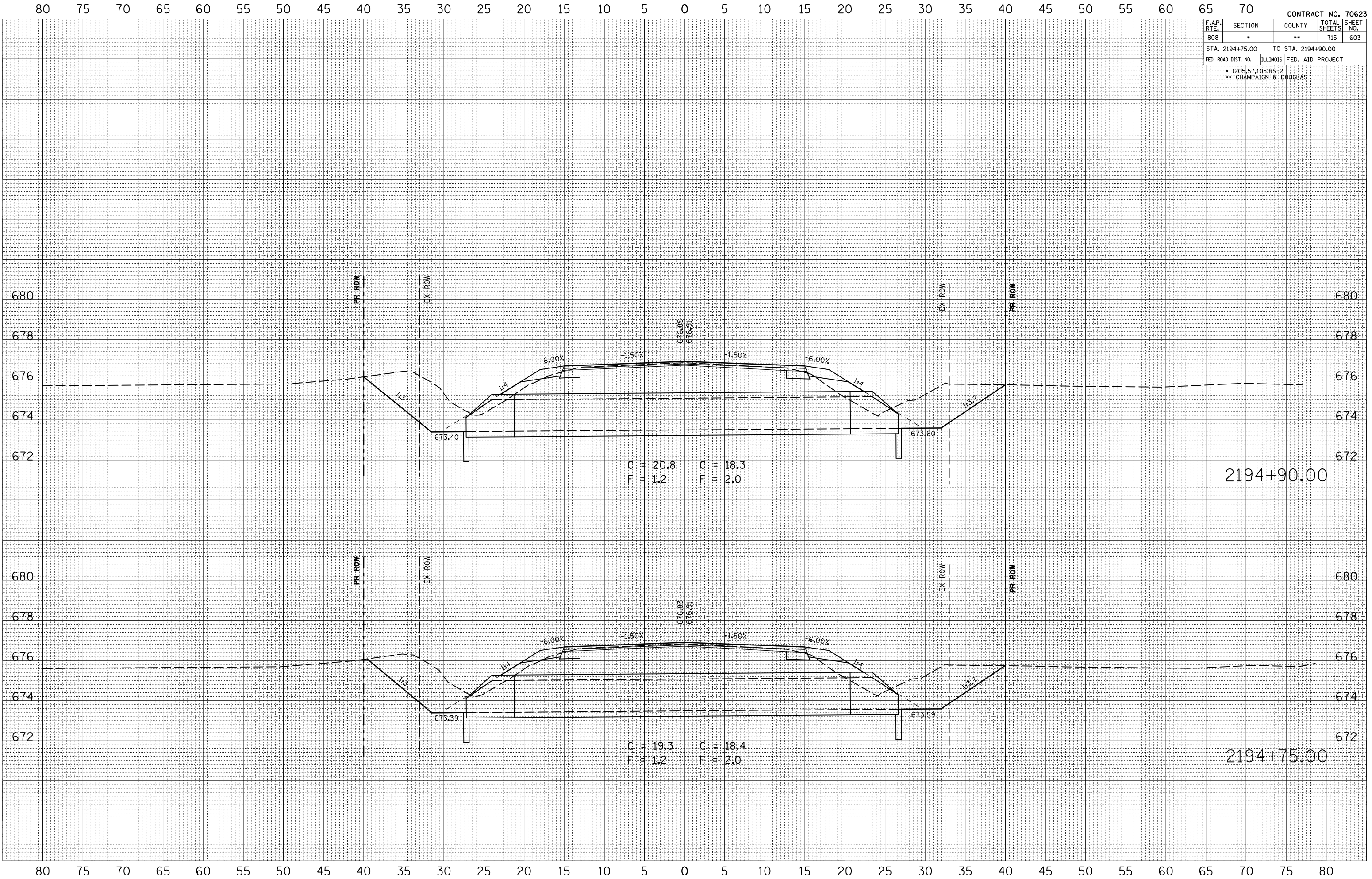
PLOT DATE = 8/1/2009
FILE NAME = 1015582
PLOT SCALE = 1/8" = 100'
USER NAME = craigre

F.A.P. RTE.	SECTION	COUNTY	TOTAL SHEETS	SHEET NO.
808	*	**	715	603
STA. 2194+75.00		TO STA. 2194+90.00		
FED. ROAD DIST. NO.		ILLINOIS	FED. AID PROJECT	
* (205.57.105)RS-2				
** CHAMPAIGN & DOUGLAS				

BY	DATE

BY	DATE

PLOT DATE = 8/1/2009
 FILE NAME = 11015682
 PLOT SCALE = 1/4" = 10.000'
 USER NAME = craige



F.A.P. RTE.	SECTION	COUNTY	TOTAL SHEETS	SHEET NO.
808	*	**	715	604
STA. 2195+25.00		TO STA. 2195+54.24		
FED. ROAD DIST. NO.		ILLINOIS	FED. AID PROJECT	
* (205) 57, 105) RS-2				
** CHAMPAIGN & DOUGLAS				

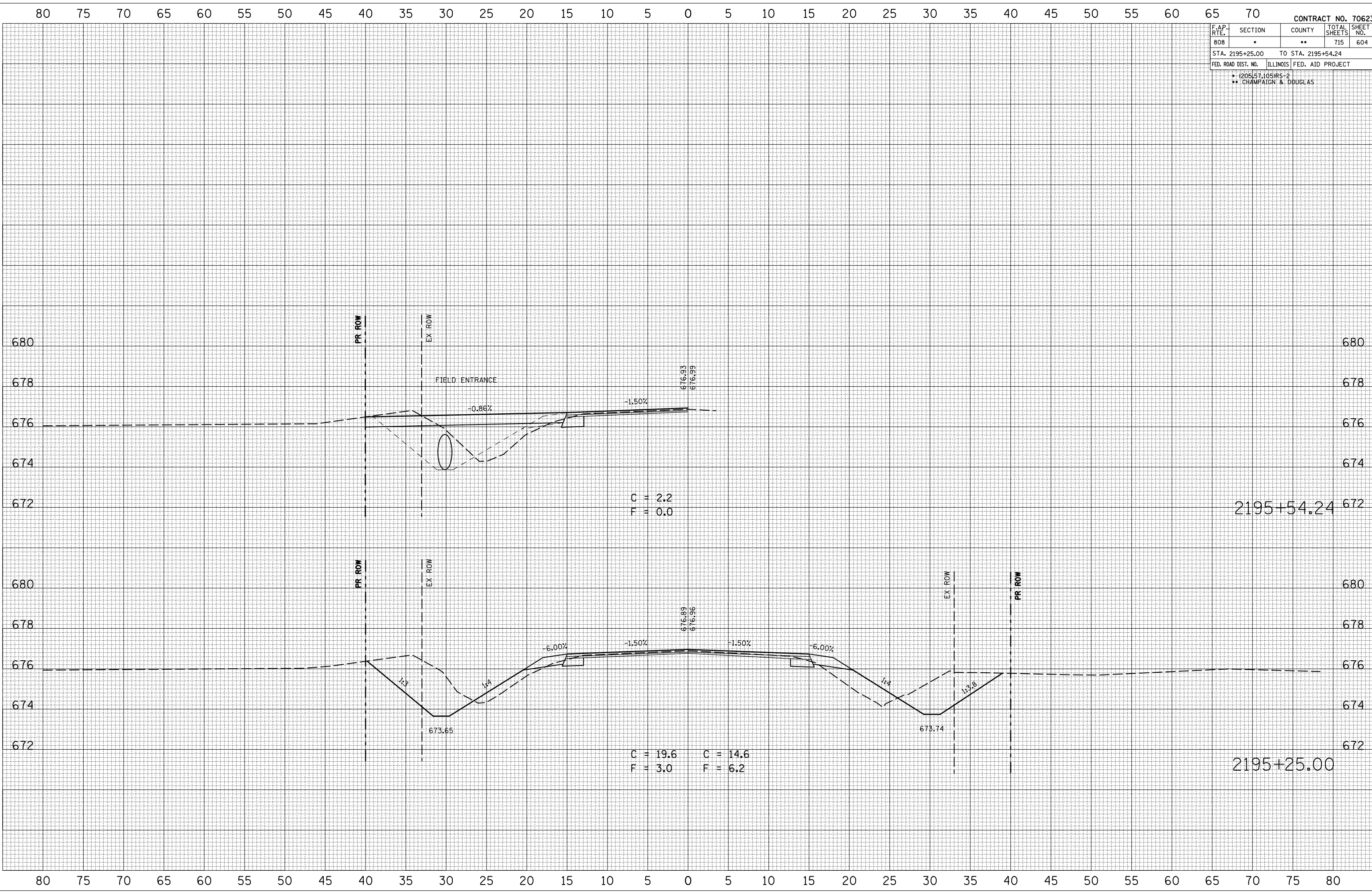
BY	DATE

NO.	AREAS CHECKED

BY	DATE

NO.	AREAS CHECKED

PLOT DATE = 8/1/2009
 FILE NAME = I:\105682\CRAIGRE\8199\2195+25.00.dgn
 PLOT SCALE = 1/8" = 10.0000'
 USER NAME = craigre



C = 2.2
 F = 0.0

C = 19.6 C = 14.6
 F = 3.0 F = 6.2

2195+54.24

2195+25.00

F.A.P. RTE.	SECTION	COUNTY	TOTAL SHEETS	SHEET NO.
808	*	**	715	605
STA. 2196+00.00		TO STA. 2197+00.00		
FED. ROAD DIST. NO.	ILLINOIS	FED. AID PROJECT		

• (205)57,105)RS-2
 ** CHAMPAIGN & DOUGLAS

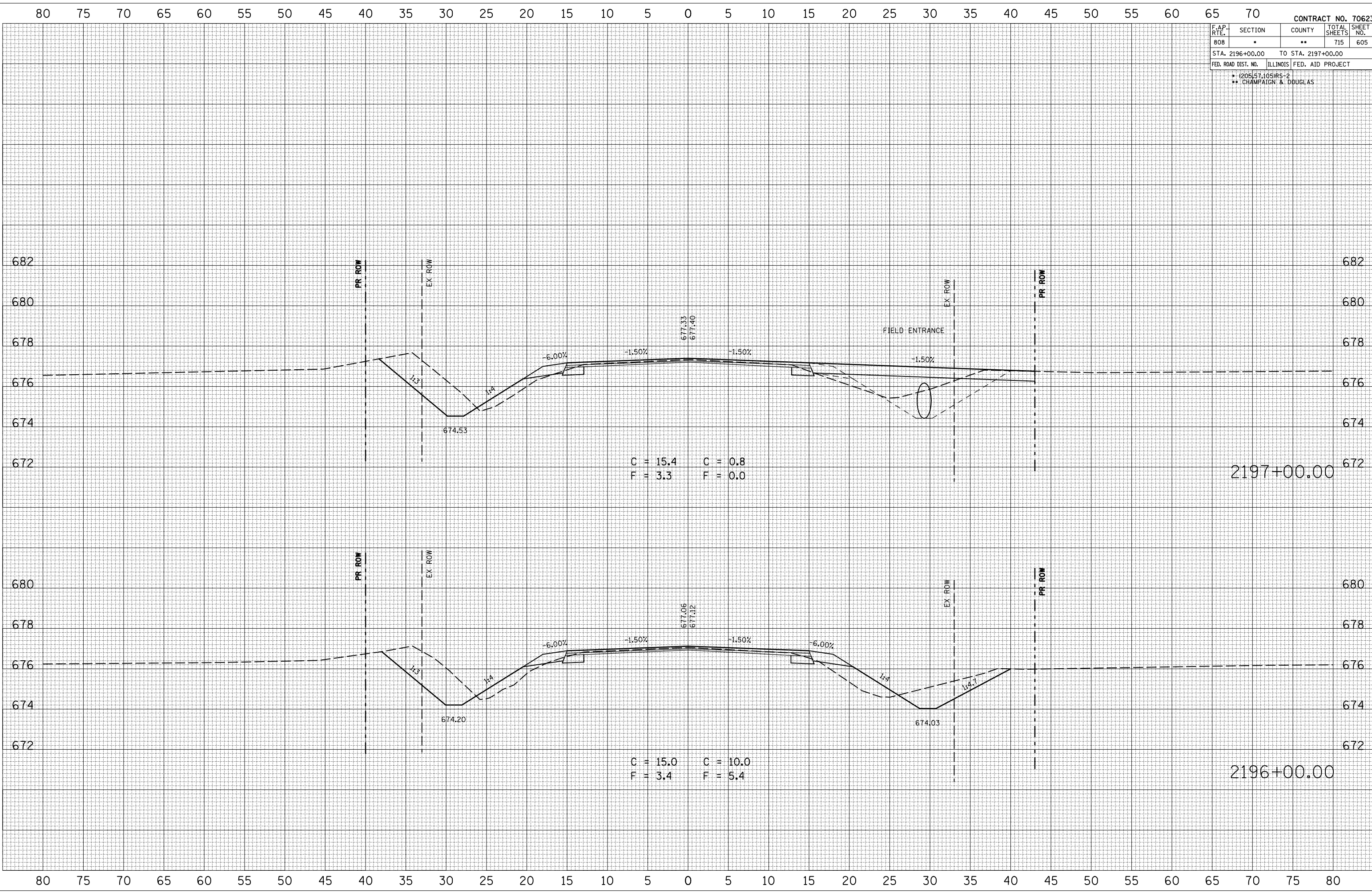
BY	DATE

NO.	AREAS CHECKED

BY	DATE

NO.	AREAS CHECKED

PLOT DATE = 8/1/2009
 FILE NAME = 1015582
 PLOT SCALE = 1/8" = 100'
 USER NAME = craigr



2197+00.00

2196+00.00

F.A.P. RTE.	SECTION	COUNTY	TOTAL SHEETS	SHEET NO.
808		**	715	606
STA. 2198+00.00		TO STA. 2199+00.00		
FED. ROAD DIST. NO.		ILLINOIS FED. AID PROJECT		
* (205,57,105)RS-2 ** CHAMPAIGN & DOUGLAS				

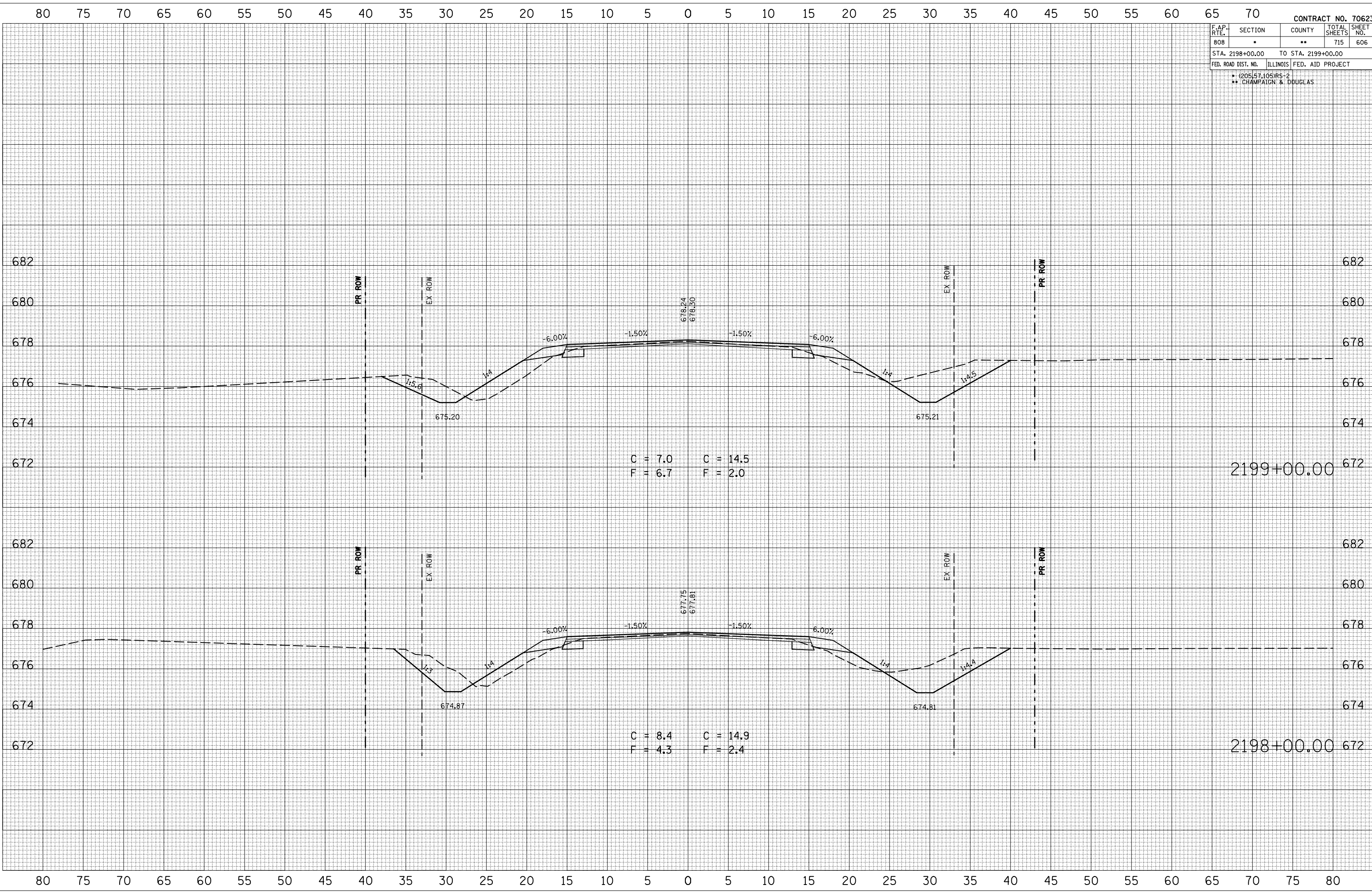
BY	DATE

NO.	AREAS CHECKED

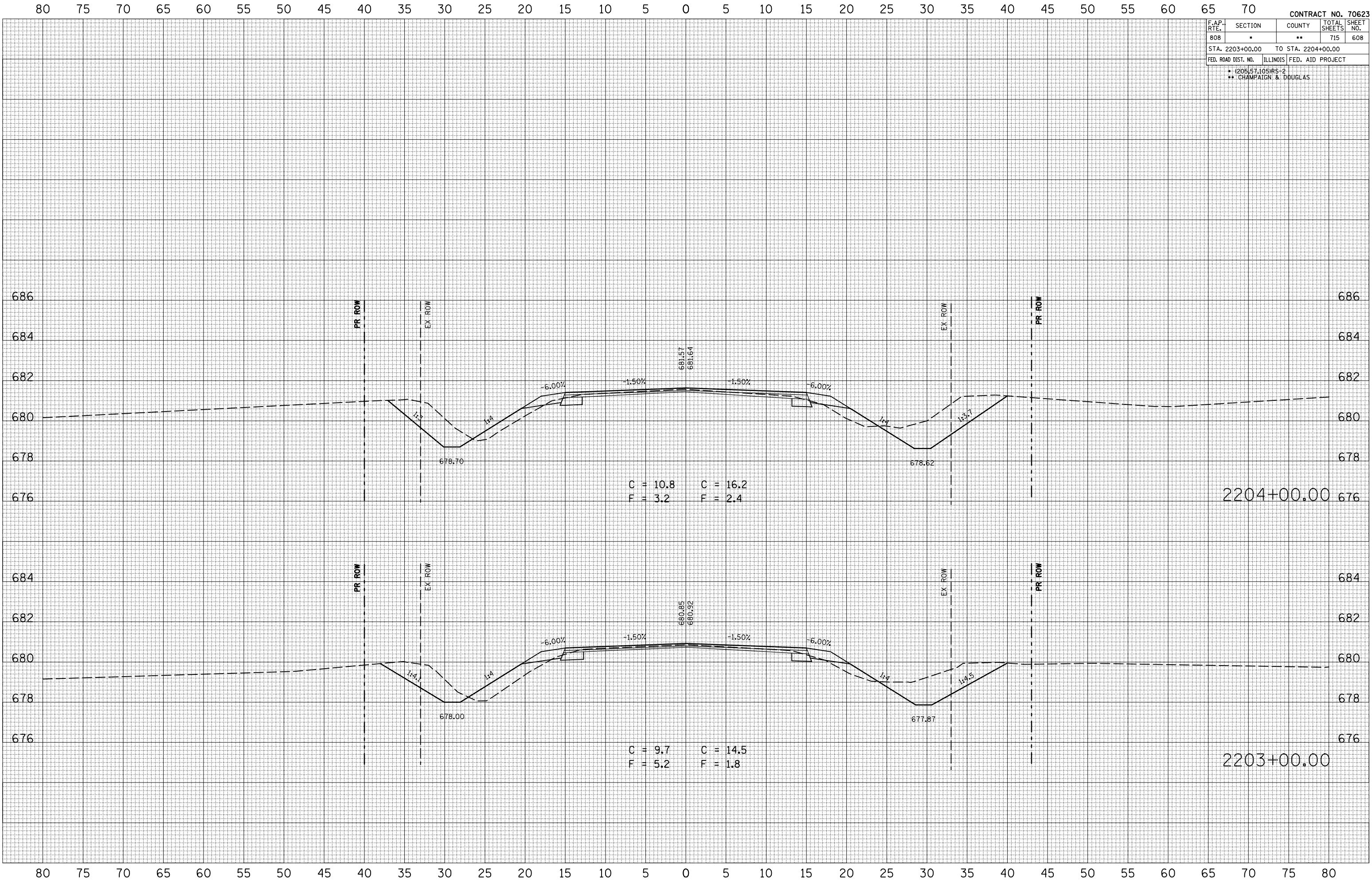
BY	DATE

NO.	AREAS CHECKED

PLOT DATE = 8/1/2009
 FILE NAME = I:\105682\CRAIGRE\8/1/09\2198+00.00\2198+00.00.dgn
 PLOT SCALE = 1/8" = 1' IN.
 USER NAME = craigre



F.A.P. RTE.	SECTION	COUNTY	TOTAL SHEETS	SHEET NO.
808	*	**	715	608
STA. 2203+00.00		TO STA. 2204+00.00		
FED. ROAD DIST. NO.	ILLINOIS	FED. AID PROJECT		
* 205.57, 105RS-2				
** CHAMPAIGN & DOUGLAS				



BY	DATE

BY	DATE

PLOT DATE = 8/1/2009
 FILE NAME = I:\10582\CHAMPAIGN\PAVDDT\CHAMPAIGN\10582\2203+00.00\10582.dgn
 PLOT SCALE = 1/8" = 1' IN.
 USER NAME = craigr

F.A.P. RTE.	SECTION	COUNTY	TOTAL SHEETS	SHEET NO.
808	*	**	715	609
STA. 2205+00.00		TO STA. 2206+00.00		
FED. ROAD DIST. NO.		ILLINOIS	FED. AID PROJECT	
* 205.57.105RS-2				
** CHAMPAIGN & DOUGLAS				

BY	DATE

FINAL SURVEY	SURVEYED	PLOTTED	DATE

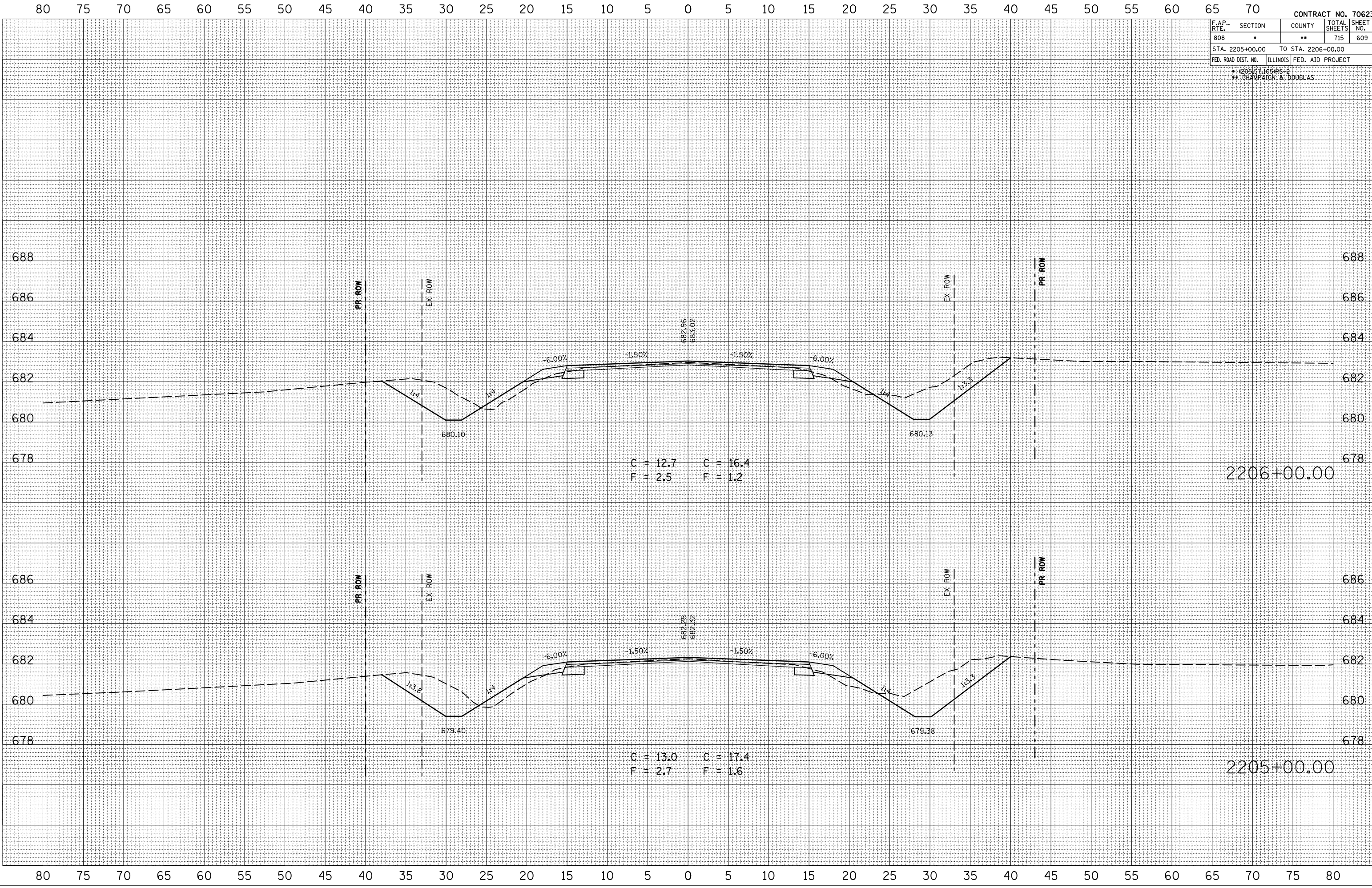
NO.	AREAS CHECKED

BY	DATE

ORIGINAL SURVEY	SURVEYED	PLOTTED	DATE

NO.	AREAS CHECKED

PLOT DATE = 8/1/2009
 FILE NAME = I:\16582\CRAIGRE\8/1/09\2205+00.00\2205+00.00.dgn
 PLOT SCALE = 1/8" = 10.0000'
 USER NAME = craigre



80 75 70 65 60 55 50 45 40 35 30 25 20 15 10 5 0 5 10 15 20 25 30 35 40 45 50 55 60 65 70

80 75 70 65 60 55 50 45 40 35 30 25 20 15 10 5 0 5 10 15 20 25 30 35 40 45 50 55 60 65 70 75 80

F.A.P. RTE.	SECTION	COUNTY	TOTAL SHEETS	SHEET NO.
808	.	**	715	610

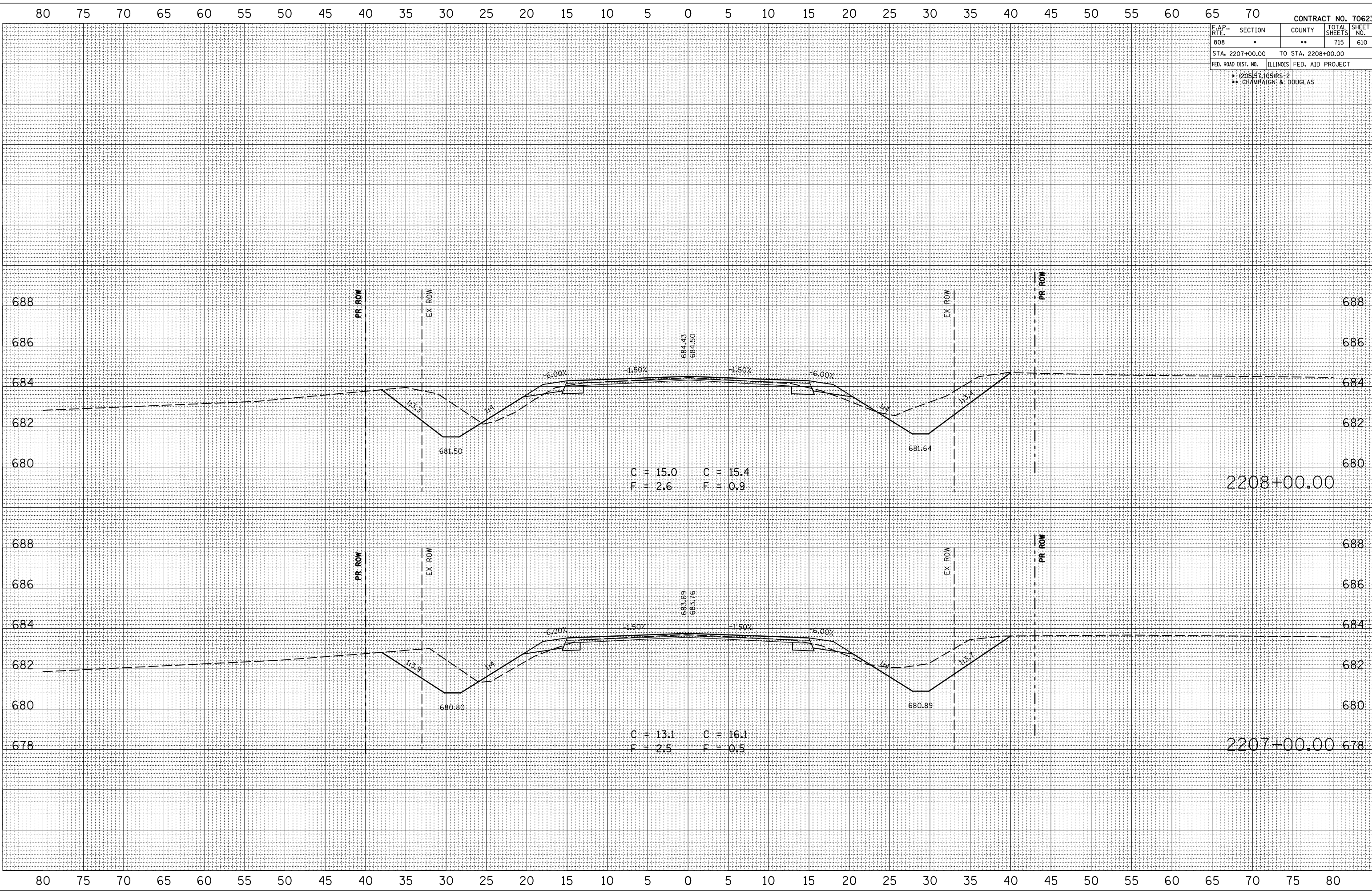
STA. 2207+00.00 TO STA. 2208+00.00
 FED. ROAD DIST. NO. ILLINOIS FED. AID PROJECT

• 205.57.105RS-2
 ** CHAMPAIGN & DOUGLAS

BY	DATE

BY	DATE

PLOT DATE = 8/1/2009
 FILE NAME = 11015682
 PLOT SCALE = 1/8"=1'-0"
 USER NAME = craige



C = 15.0 C = 15.4
 F = 2.6 F = 0.9

C = 13.1 C = 16.1
 F = 2.5 F = 0.5

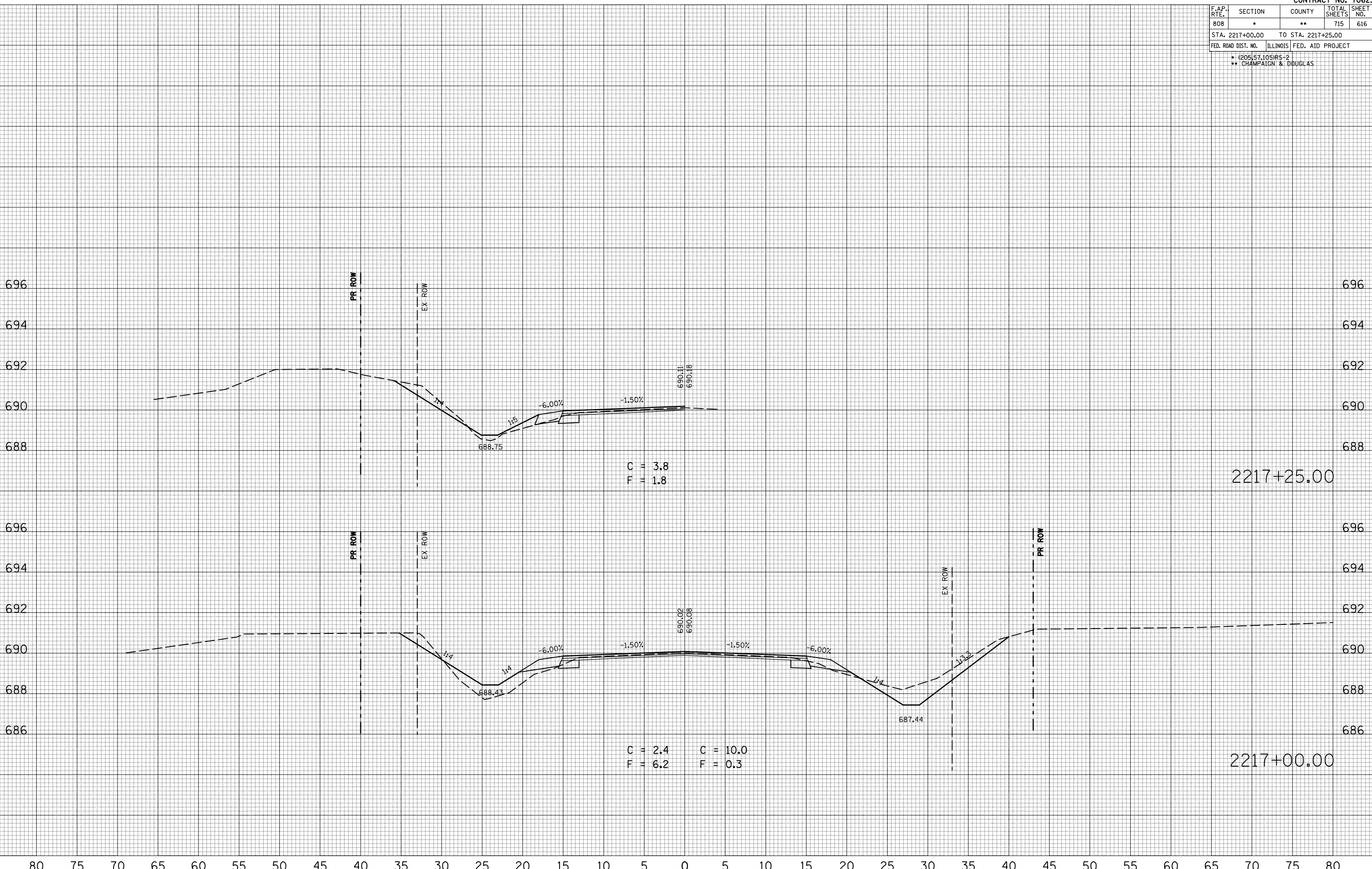
F.A.P. RTE.	SECTION	COUNTY	TOTAL SHEETS	SHEET NO.
808	*	**	715	616
STA. 2217+00.00		TO STA. 2217+25.00		
FED. ROAD DIST. NO.		ILLINOIS	FED. AID PROJECT	

* (205.57.105)RS-2
** CHAMPAIGN & DOUGLAS

BY	DATE
SURVEYED	
PLOTTED	
NOTE BOOK	
AREAS CHECKED	
NO.	

BY	DATE
SURVEYED	
PLOTTED	
NOTE BOOK	
AREAS CHECKED	
NO.	

PLOT DATE = 8/1/2009
FILE NAME = C:\RAIGRE\8199\42572828\17 / IN
PLOT SCALE = 1/8" = 1' IN
USER NAME = craigre



F.A.P. RTE.	SECTION	COUNTY	TOTAL SHEETS	SHEET NO.
808	*	**	715	617
STA. 2217+50.00		TO STA. 2217+75.00		
FED. ROAD DIST. NO.	ILLINOIS	FED. AID PROJECT		

* (205)57.105(RS-2)
** CHAMPAIGN & DOUGLAS

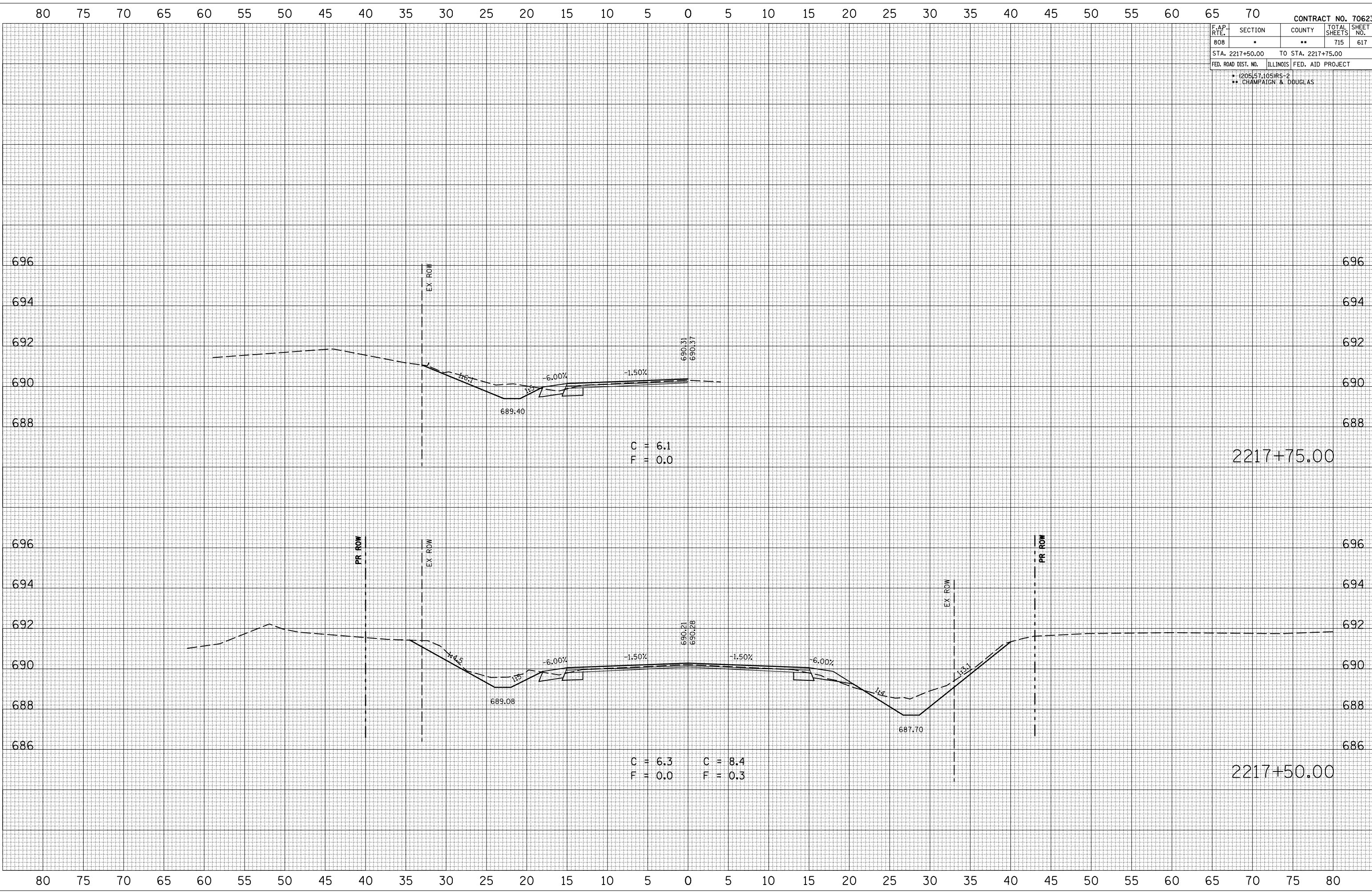
BY	DATE

FINAL SURVEY	SURVEYED	PLOTTED	NO. OF SHEETS	AREAS CHECKED

BY	DATE

ORIGINAL SURVEY	SURVEYED	PLOTTED	NO. OF SHEETS	AREAS CHECKED

PLOT DATE = 8/1/2009
FILE NAME = 1015582
PLOT SCALE = 1/8" = 100'
USER NAME = craigr



2217+75.00

2217+50.00

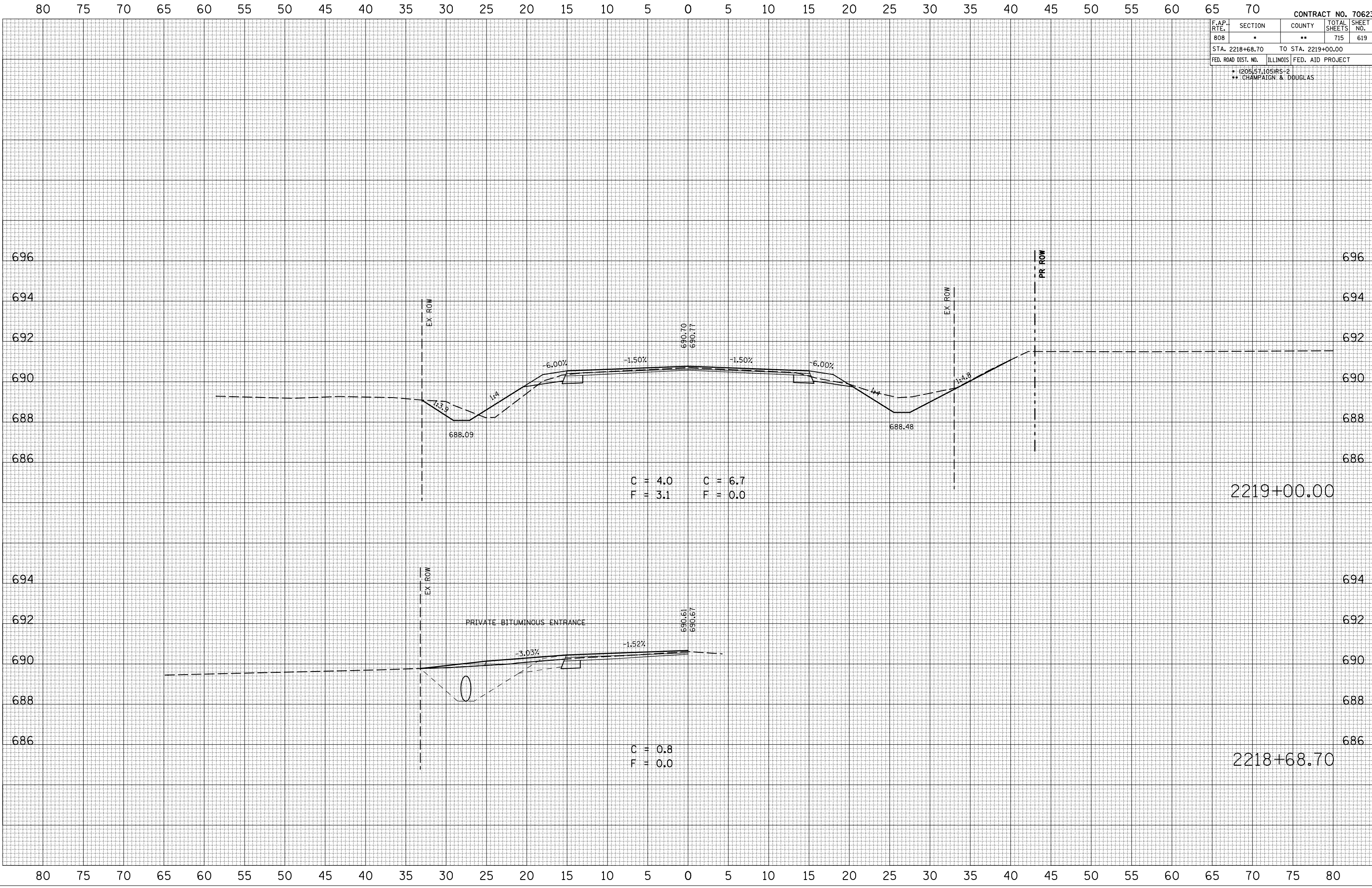
F.A.P. RTE.	SECTION	COUNTY	TOTAL SHEETS	SHEET NO.
808	*	**	715	619
STA. 2218+68.70		TO STA. 2219+00.00		
FED. ROAD DIST. NO.	ILLINOIS	FED. AID PROJECT		

* (205.57, 105)RS-2
** CHAMPAIGN & DOUGLAS

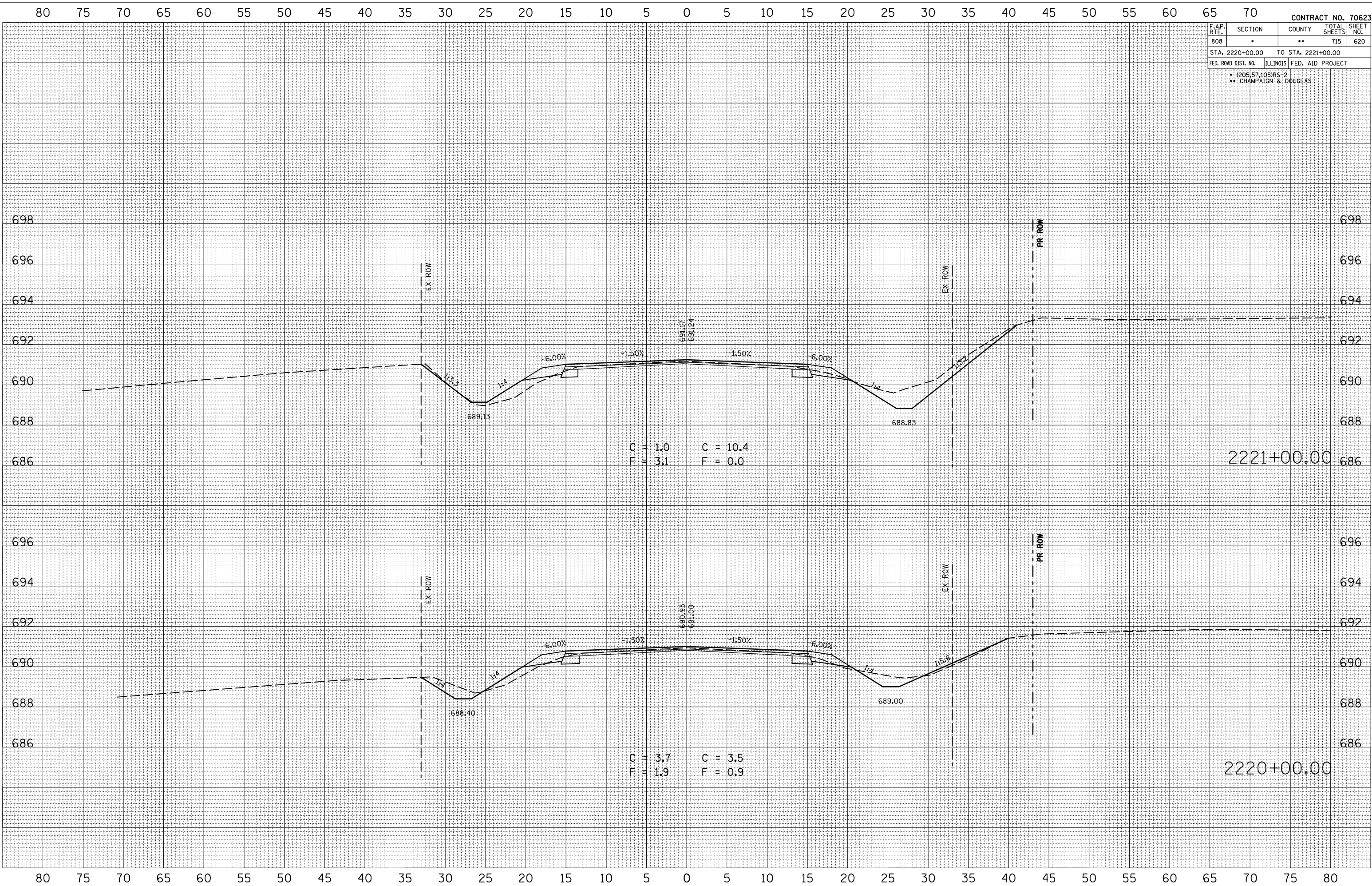
BY	DATE

BY	DATE

PLOT DATE = 8/4/2009
 FILE NAME = I:\105682\CHAMPAIGN & DOUGLAS\PROJECT\PLANS\2218+68.70-2219+00.00.dwg
 PLOT SCALE = 1/8" = 1' IN.
 USER NAME = craigc



F.A.P. RTE.	SECTION	COUNTY	TOTAL SHEETS	SHEET NO.
808	*	**	715	620
STA. 2220+00.00		TO STA. 2221+00.00		
FED. ROAD DIST. NO.		ILLINOIS FED. AID PROJECT		
* (205.57,105)RS-2				
** CHAMPAIGN & DOUGLAS				



BY	DATE
SURVEYED	
PLOTTED	
NOTE BOOK	
AREAS CHECKED	
NO.	

BY	DATE
SURVEYED	
PLOTTED	
NOTE BOOK	
AREAS CHECKED	
NO.	

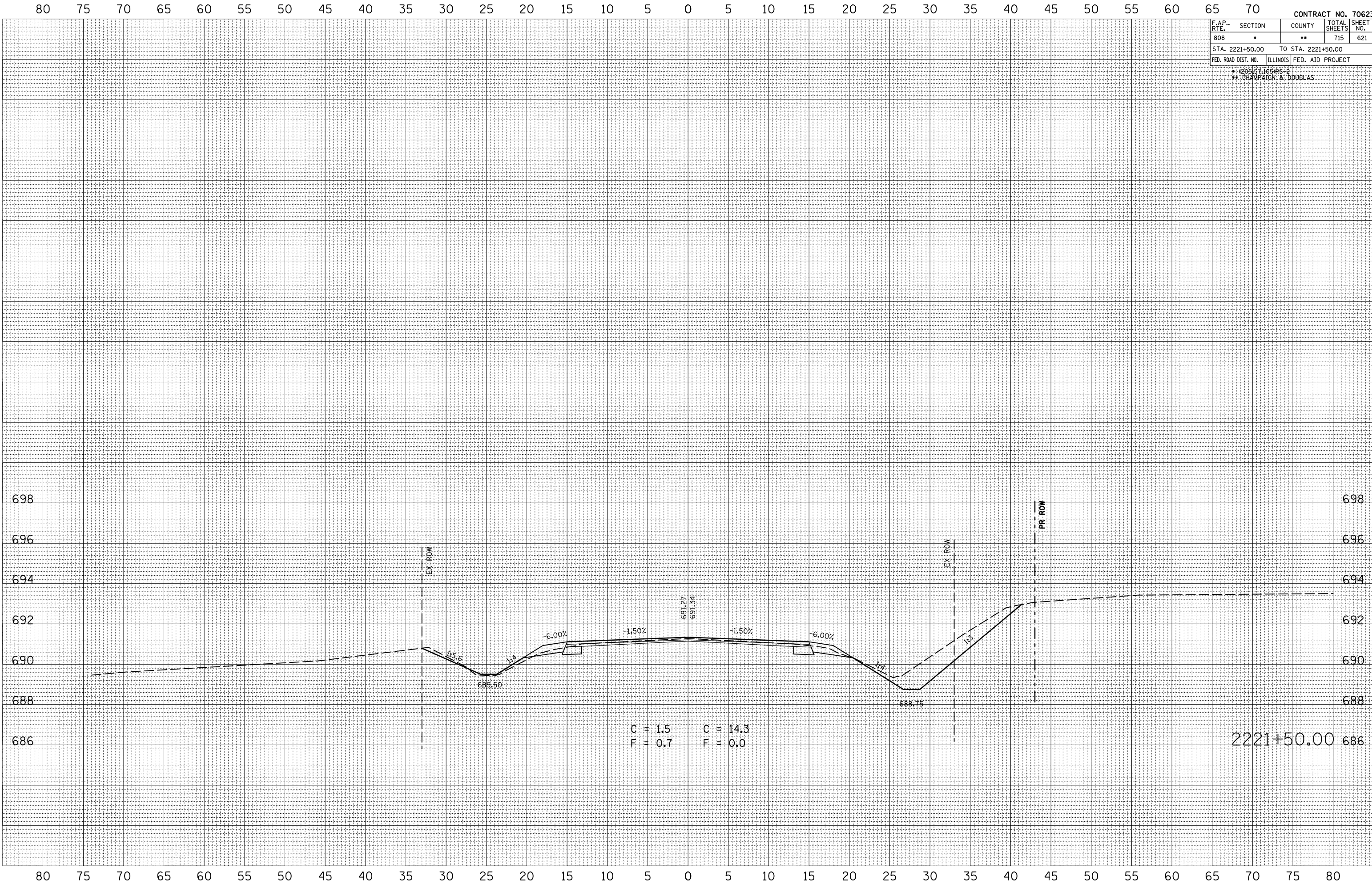
PLOT DATE = 8/1/2009
FILE NAME = I:\105682\105682.dgn
PLOT SCALE = 1/8" = 1'-0"
USER NAME = craigr

F.A.P. RTE.	SECTION	COUNTY	TOTAL SHEETS	SHEET NO.
808	*	**	715	621
STA. 2221+50.00		TO STA. 2221+50.00		
FED. ROAD DIST. NO.	ILLINOIS	FED. AID PROJECT		
* (205) 57,105) RS-2				
** CHAMPAIGN & DOUGLAS				

DATE	BY
SURVEYED	PLOTTED
NOTE BOOK	AREAS CHECKED
NO.	

DATE	BY
SURVEYED	PLOTTED
NOTE BOOK	AREAS CHECKED
NO.	

PLOT DATE = 8/1/2009
 FILE NAME = I:\105682\CRAIGRE\105682\2221+50.00.dgn
 PLOT SCALE = 1/8" = 1' IN.
 USER NAME = craigre



2221+50.00

F.A.P. RTE.	SECTION	COUNTY	TOTAL SHEETS	SHEET NO.
808	.	..	715	622
STA. 2222+50.00		TO STA. 2223+00.00		
FED. ROAD DIST. NO. ILLINOIS FED. AID PROJECT				
* 205.57, 105RS-2				
** CHAMPAIGN & DOUGLAS				

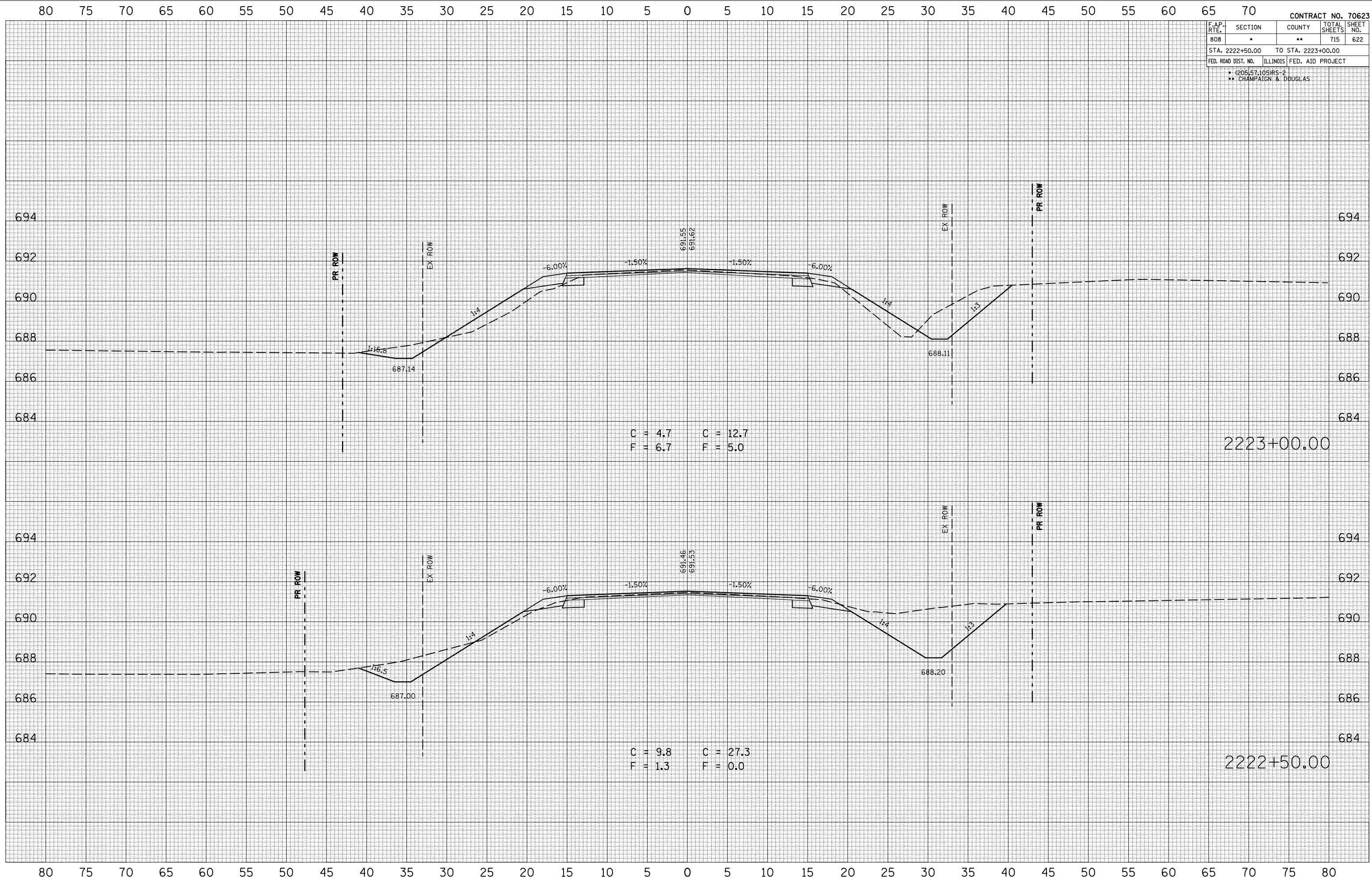
BY	DATE

FINAL SURVEY	SURVEYED	PLOTTED
NO.		

BY	DATE

ORIGINAL SURVEY	SURVEYED	PLOTTED
NO.		

PLOT DATE = 8/1/2009
FILE NAME = I:\10582\CHAMPAIGN\CHAMPAIGN.PLOT
PLOT SCALE = 1/8"=1'-0"
USER NAME = craigr

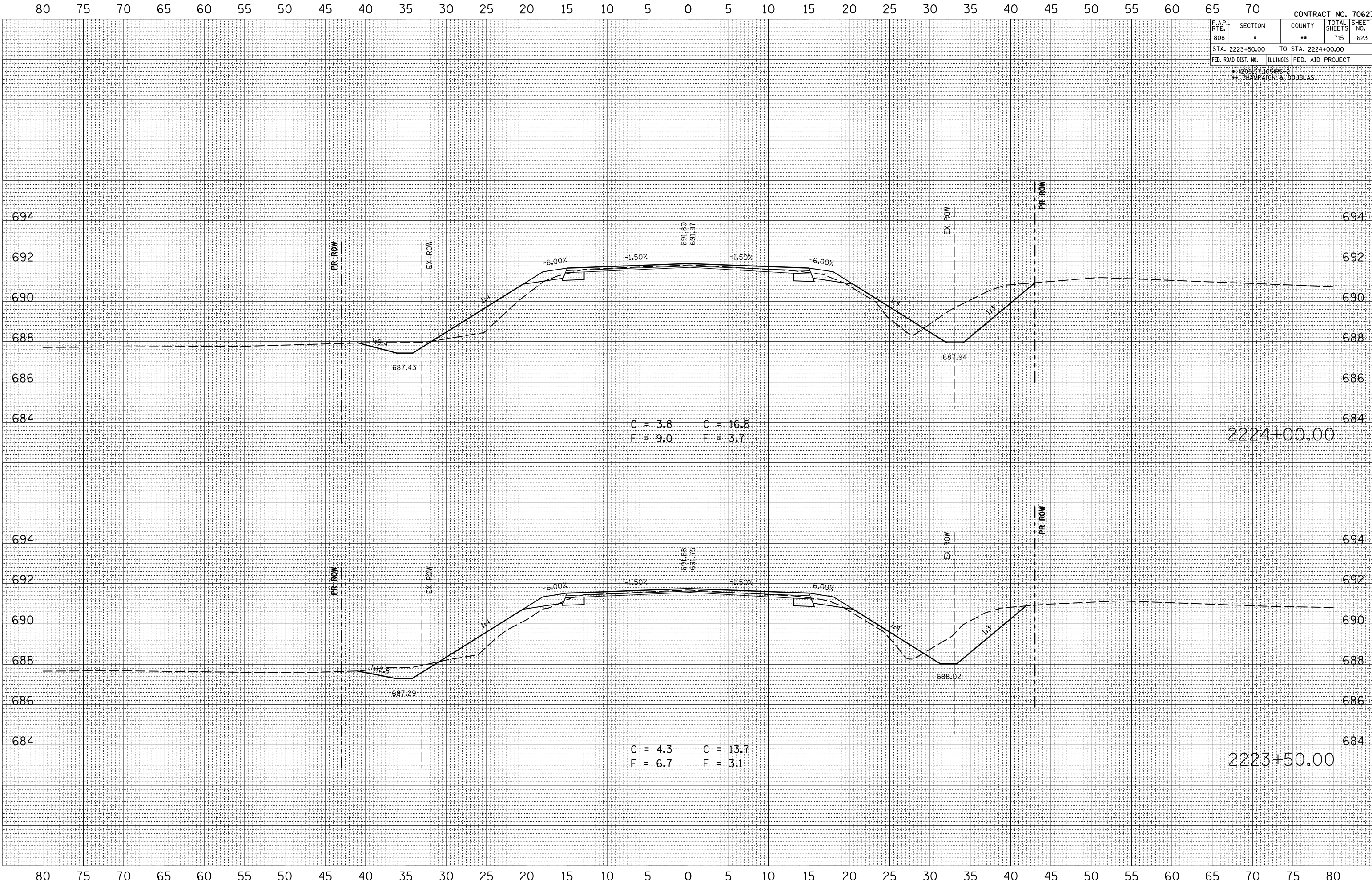


F.A.P. RTE.	SECTION	COUNTY	TOTAL SHEETS	SHEET NO.
808	.	**	715	623
STA. 2223+50.00 TO STA. 2224+00.00				
FED. ROAD DIST. NO. ILLINOIS FED. AID PROJECT				
* (205) 57,105 RS-2				
** CHAMPAIGN & DOUGLAS				

BY	DATE
FINAL SURVEY	SURVEYED
NOTE BOOK	PLOTTED
NO.	AREAS CHECKED

BY	DATE
ORIGINAL SURVEY	SURVEYED
NO.	PLOTTED
	AREAS CHECKED

PLOT DATE = 8/1/2009
 FILE NAME = I:\10582\10582.dwg
 PLOT SCALE = 1" = 10.00'
 USER NAME = craigr



F.A.P. RTE.	SECTION	COUNTY	TOTAL SHEETS	SHEET NO.
808	*	**	715	624
STA. 2224+50.00		TO STA. 2224+94.00		
FED. ROAD DIST. NO.		ILLINOIS FED. AID PROJECT		
* (205,57,105)RS-2 ** CHAMPAIGN & DOUGLAS				

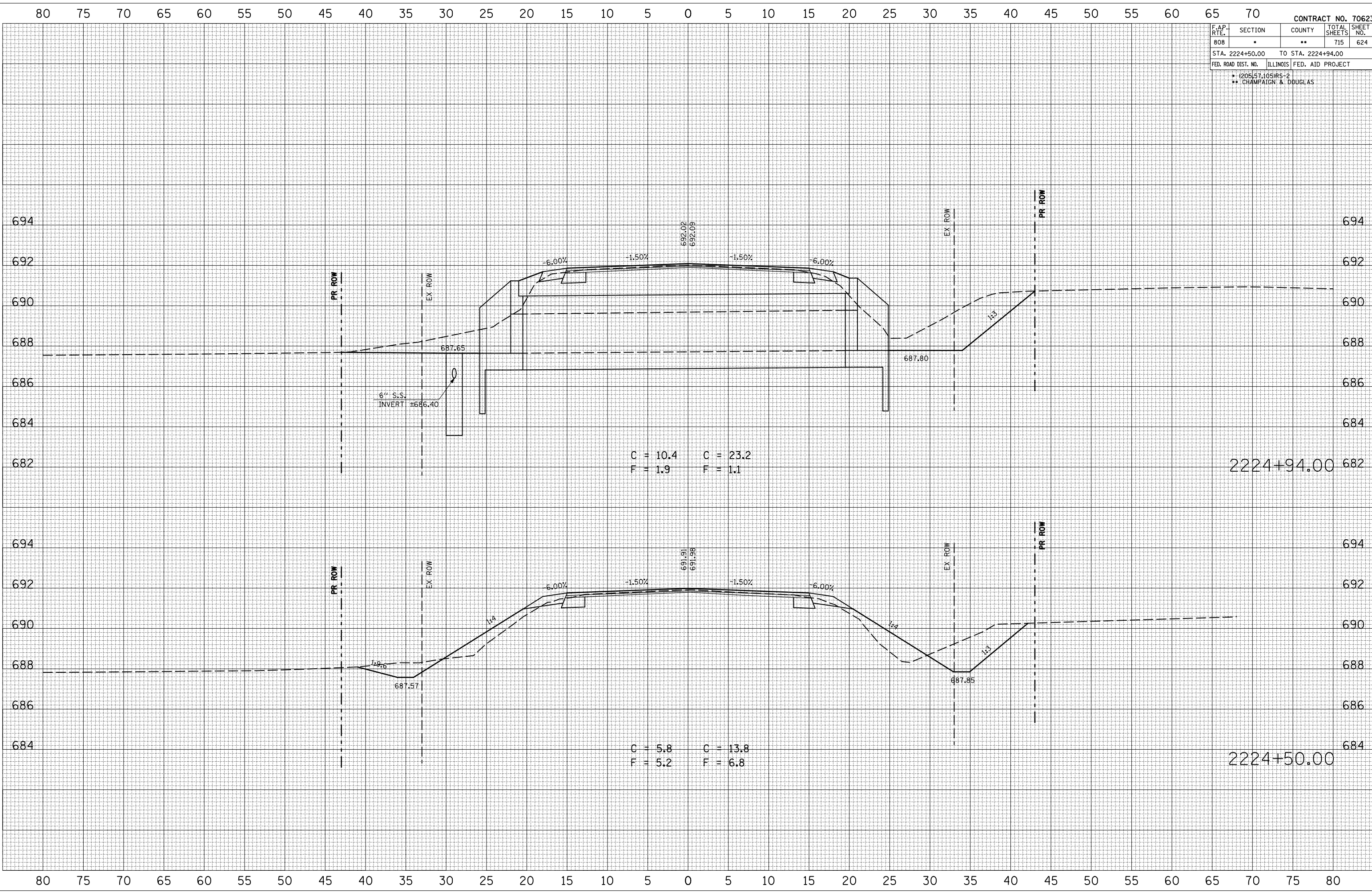
BY	DATE

NO.	AREAS CHECKED	PLATE	PLotted	SURVEYED	FINAL SURVEY

BY	DATE

NO.	AREAS CHECKED	PLATE	PLotted	SURVEYED	ORIGINAL SURVEY

PLOT DATE = 8/1/2009
 FILE NAME = 1015682
 PLOT SCALE = 1/8" = 1' IN.
 USER NAME = craigr



F.A.P. RTE.	SECTION	COUNTY	TOTAL SHEETS	SHEET NO.
808	*	**	715	625
STA. 2225+50.00		TO STA. 2226+00.00		
FED. ROAD DIST. NO.		ILLINOIS FED. AID PROJECT		
* (205) 57.105 RS-2				
** CHAMPAIGN & DOUGLAS				

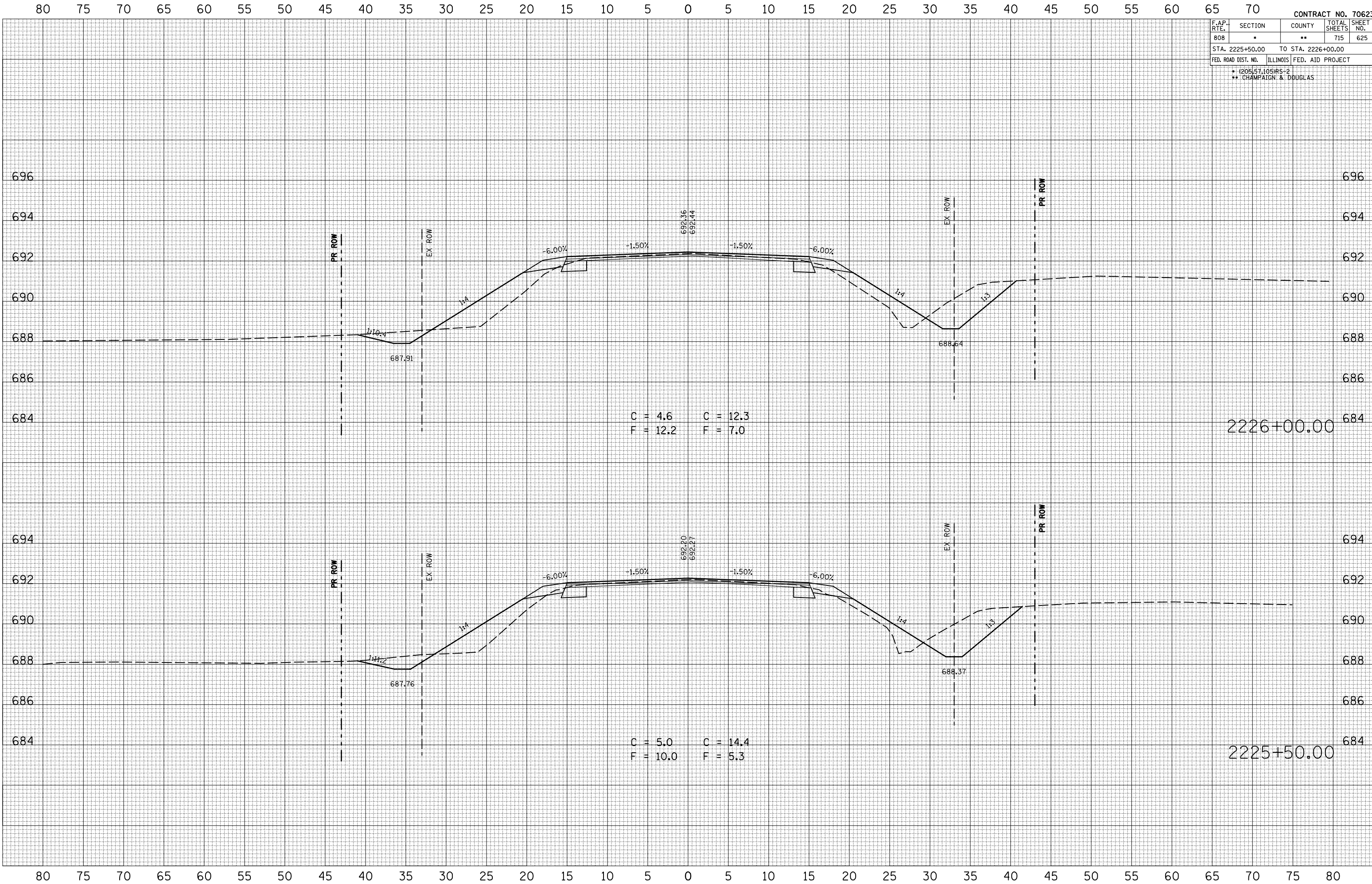
BY	DATE

NO.	AREAS CHECKED

BY	DATE

NO.	AREAS CHECKED

PLOT DATE = 8/1/2009
 FILE NAME = I:\PROJECTS\CHAMPAIGN\CHAMPAIGN\CHAMPAIGN.PLOT
 PLOT SCALE = 1/8" = 10.000'
 USER NAME = craigr



80 75 70 65 60 55 50 45 40 35 30 25 20 15 10 5 0 5 10 15 20 25 30 35 40 45 50 55 60 65 70

80 75 70 65 60 55 50 45 40 35 30 25 20 15 10 5 0 5 10 15 20 25 30 35 40 45 50 55 60 65 70 75 80

F.A.P. RTE.	SECTION	COUNTY	TOTAL SHEETS	SHEET NO.
808	*	**	715	626
STA. 2227+00.00		TO STA. 2228+00.00		
FED. ROAD DIST. NO.	ILLINOIS	FED. AID PROJECT		

(205.57.105)RS-2
** CHAMPAIGN & DOUGLAS

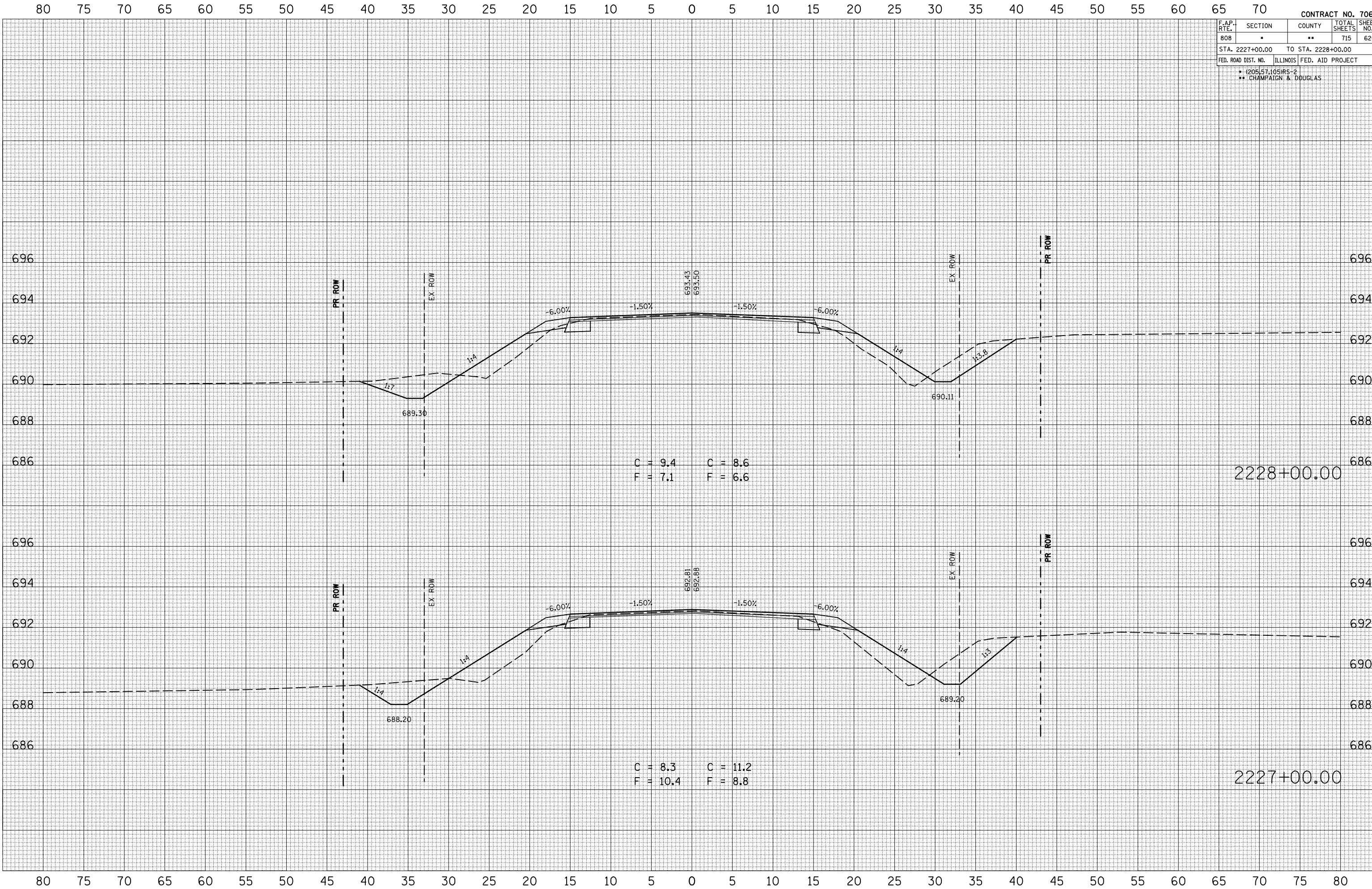
BY: _____ DATE: _____

FINAL SURVEY	SURVEYED
NOTE BOOK	PLOTTED
NO.	AREAS CHECKED

BY: _____ DATE: _____

ORIGINAL SURVEY	SURVEYED
FILE NAME	PLOTTED
PLLOT SCALE	AREAS CHECKED
USER NAME	NO.

PLOT DATE = 8/1/2009
FILE NAME = 1105682.dwg
PLOT SCALE = 1/8" = 1'-0"
USER NAME = craige



C = 9.4 C = 8.6
F = 7.1 F = 6.6

C = 8.3 C = 11.2
F = 10.4 F = 8.8

2228+00.00

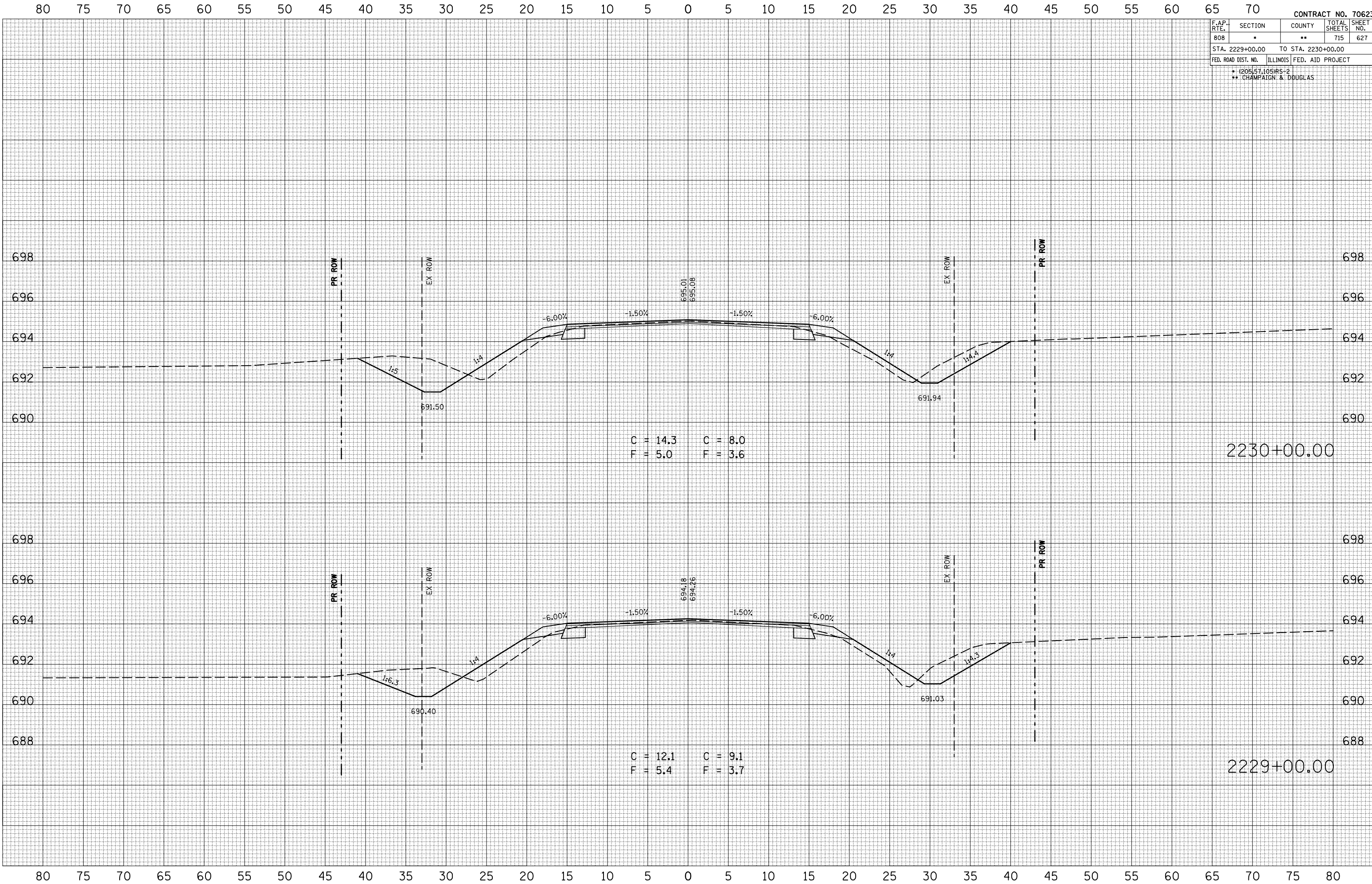
2227+00.00

F.A.P. RTE.	SECTION	COUNTY	TOTAL SHEETS	SHEET NO.
808	*	**	715	627
STA. 2229+00.00		TO STA. 2230+00.00		
FED. ROAD DIST. NO.	ILLINOIS	FED. AID PROJECT		
* 205.57, 105RS-2				
** CHAMPAIGN & DOUGLAS				

BY	DATE

BY	DATE

PLOT DATE = 8/1/2009
 FILE NAME = I:\10582\CRAIGRE\81919423\2229+00.00.plt
 PLOT SCALE = 1/8" = 10.0000'
 USER NAME = craigr



F.A.P. RTE.	SECTION	COUNTY	TOTAL SHEETS	SHEET NO.
808	*	**	715	628
STA. 2231+00.00		TO STA. 2232+00.00		
FED. ROAD DIST. NO.		ILLINOIS FED. AID PROJECT		
• 6205.57.105RS-2 ** CHAMPAIGN & DOUGLAS				

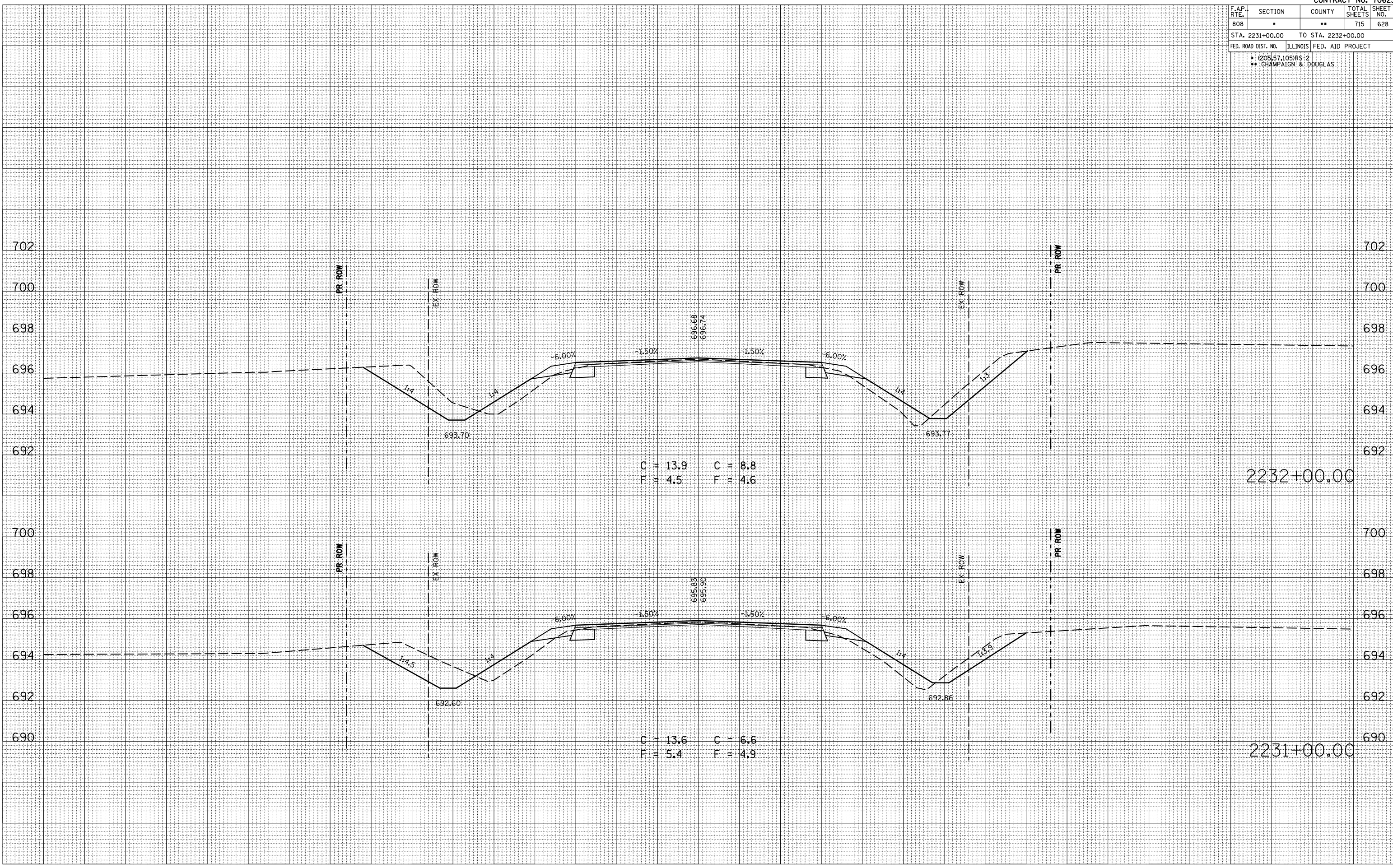
BY	DATE

FINAL SURVEY	SURVEYED	PLOTTED	DATE

BY	DATE

ORIGINAL SURVEY	SURVEYED	PLOTTED	DATE

PLOT DATE = 8/1/2009
FILE NAME = 1105682
PLOT SCALE = 1" = 40'
USER NAME = craige



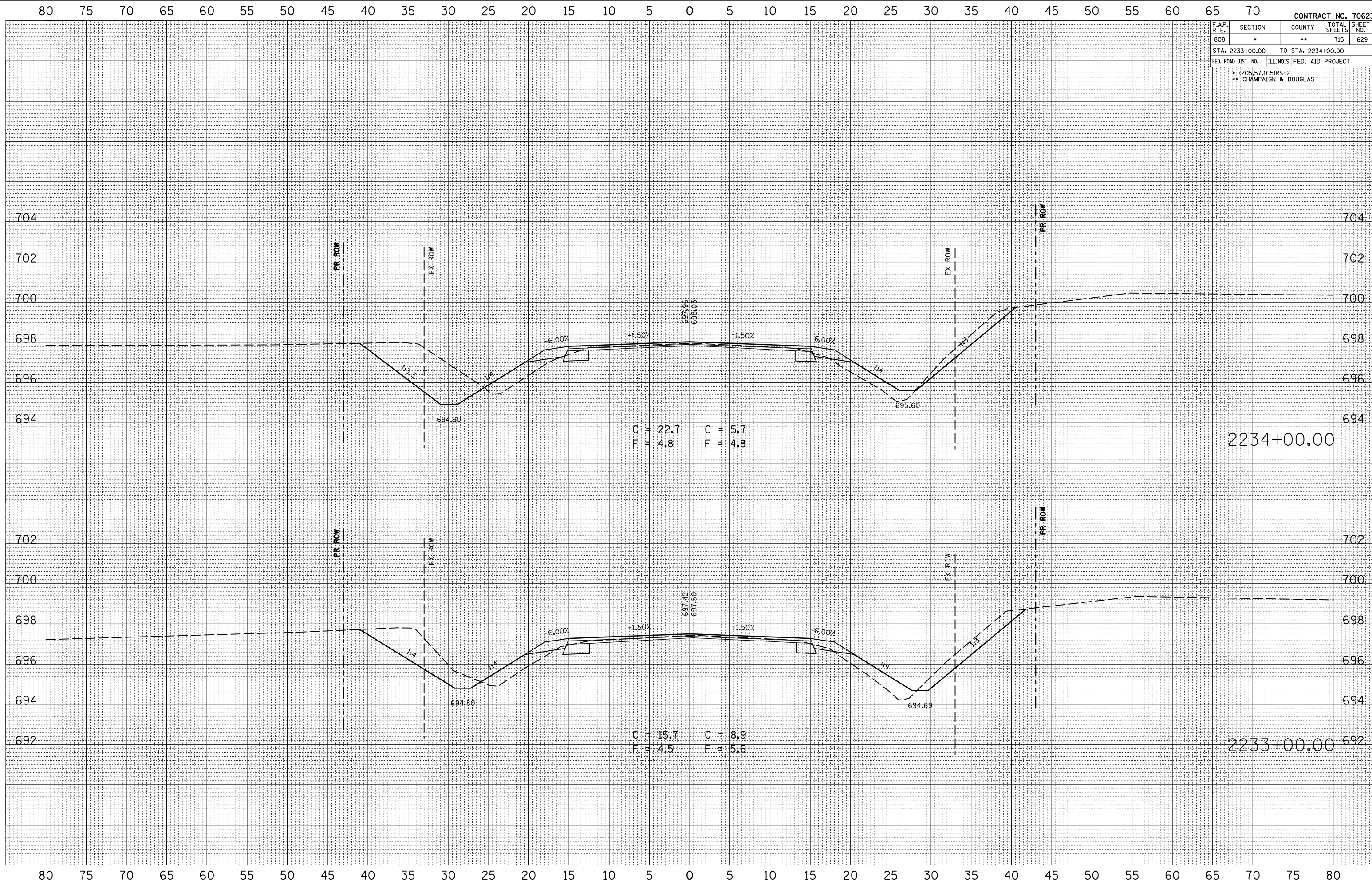
F.A.P. RTE.	SECTION	COUNTY	TOTAL SHEETS	SHEET NO.
808		**	715	629
STA. 2233+00.00 TO STA. 2234+00.00				
FED. ROAD DIST. NO.	ILLINOIS	FED. AID PROJECT		

(205,57,105)RS-2
** CHAMPAIGN & DOUGLAS

BY	DATE
FINAL SURVEY SURVEYED	
NOTE BOOK	
NO.	
AREAS CHECKED	

BY	DATE
ORIGINAL SURVEY SURVEYED	
NOTE BOOK	
NO.	
AREAS CHECKED	

PLOT DATE = 8/1/2009
FILE NAME = I:\10582\2233\2233.dwg
PLOT SCALE = 1/8" = 1' IN.
USER NAME = craige

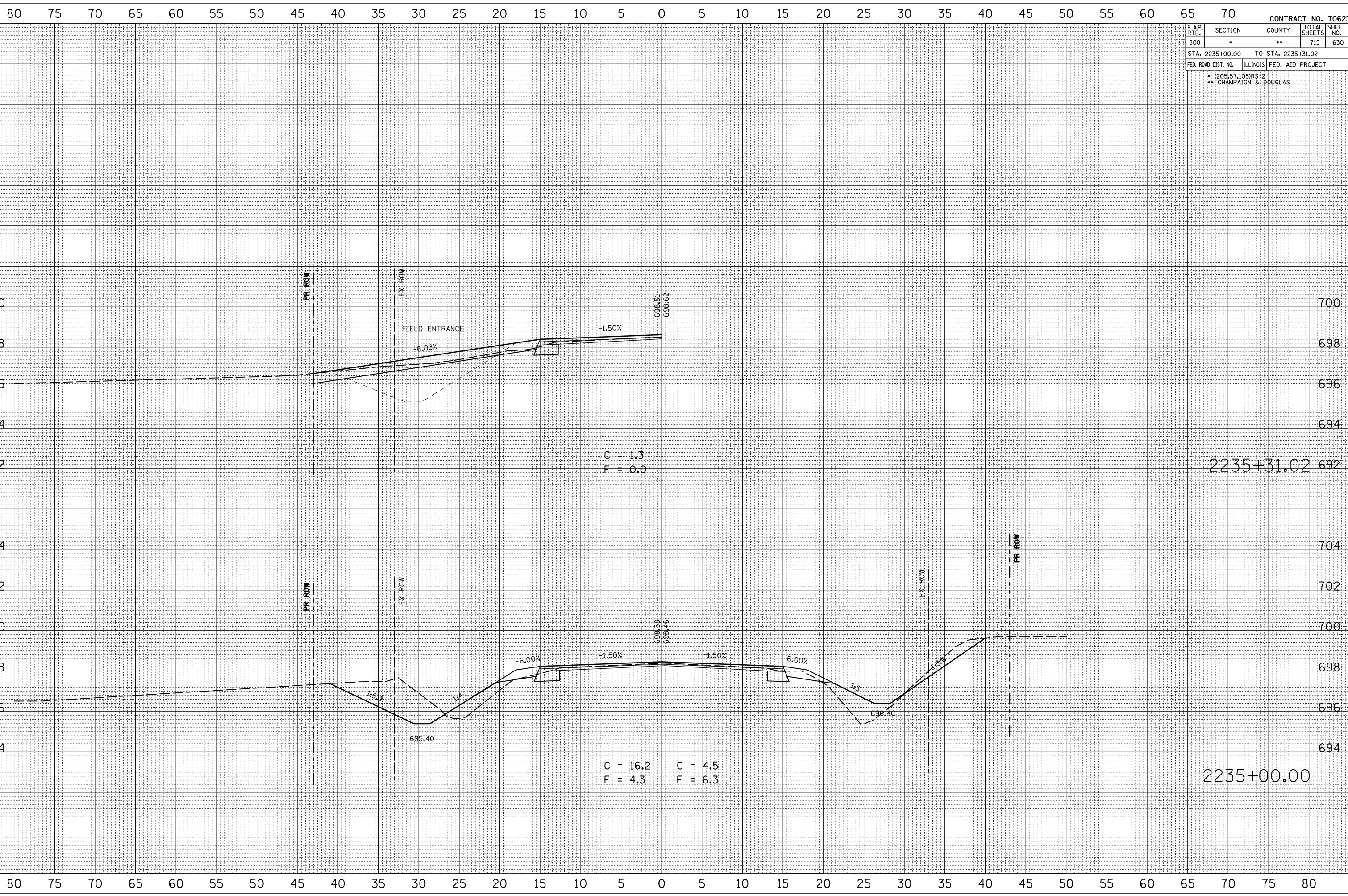


80 75 70 65 60 55 50 45 40 35 30 25 20 15 10 5 0 5 10 15 20 25 30 35 40 45 50 55 60 65 70

80 75 70 65 60 55 50 45 40 35 30 25 20 15 10 5 0 5 10 15 20 25 30 35 40 45 50 55 60 65 70 75 80

F.A.P. RTE.	SECTION	COUNTY	TOTAL SHEETS	SHEET NO.
808	*	**	715	630

STA. 2235+00.00 TO STA. 2235+31.02
 FED. ROAD DIST. NO. ILLINOIS FED. AID PROJECT
 • 6205.57.105RS-2
 ** CHAMPAIGN & DOUGLAS



DATE
 BY
 SURVEYED
 PLOTTED
 CHECKED
 NO. AREAS CHECKED

DATE
 BY
 ORIGINAL SURVEY
 PLOTTED
 CHECKED
 NO. AREAS CHECKED

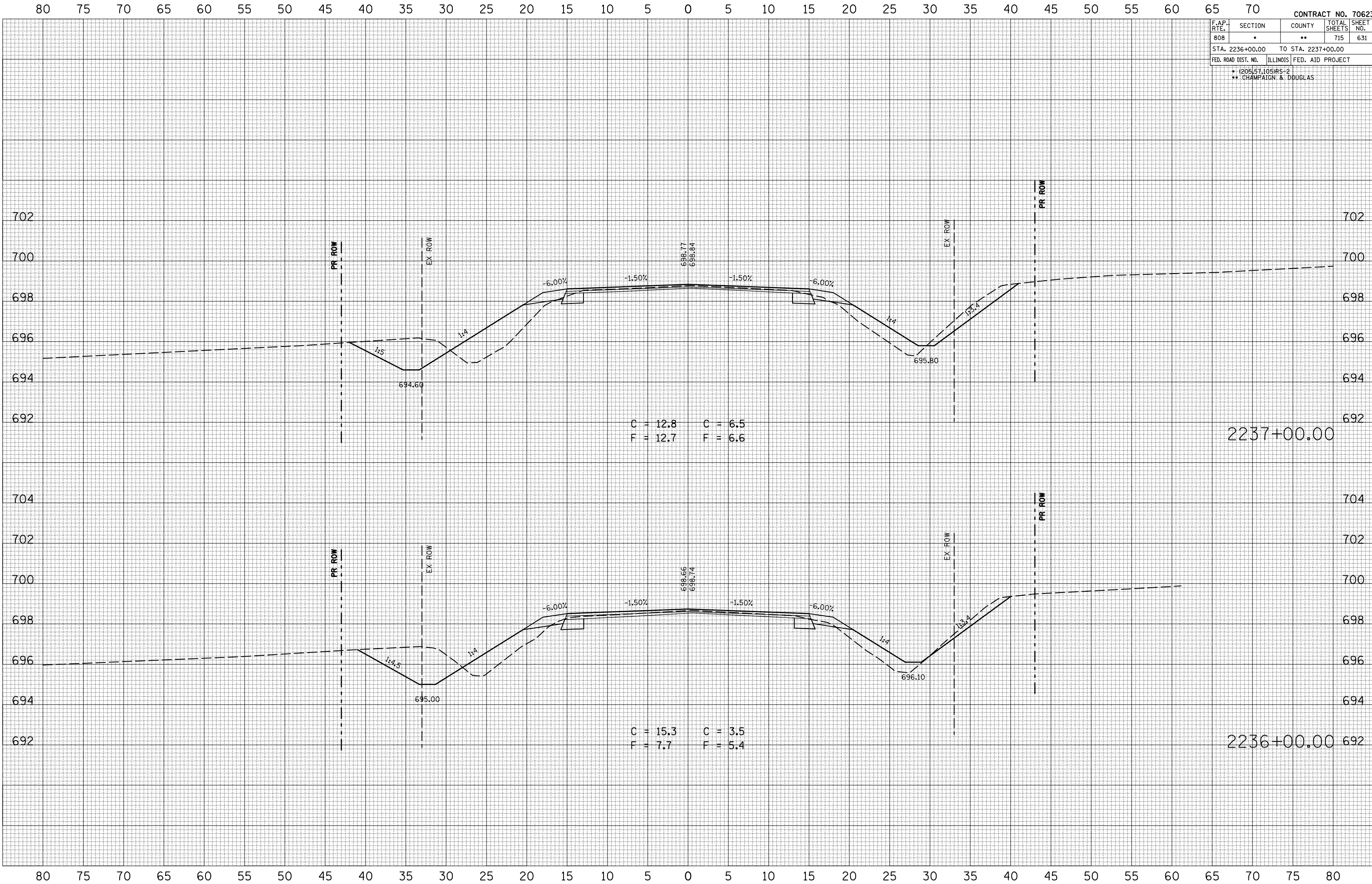
PLOT DATE = 8/1/2009
 FILE NAME = 1015682
 PLOT SCALE = 1" = 40' / IN.
 USER NAME = craigre

F.A.P. RTE.	SECTION	COUNTY	TOTAL SHEETS	SHEET NO.
808	*	**	715	631
STA. 2236+00.00		TO STA. 2237+00.00		
FED. ROAD DIST. NO.		ILLINOIS FED. AID PROJECT		
* (205,57,105)RS-2 ** CHAMPAIGN & DOUGLAS				

BY	DATE
FINAL SURVEY	SURVEYED
NOTE BOOK	PLOTTED
NO.	AREAS CHECKED

BY	DATE
ORIGINAL SURVEY	SURVEYED
FILE NAME	PLOTTED
NO.	AREAS CHECKED

PLOT DATE = 8/1/2009
 FILE NAME = 1015682
 PLOT SCALE = 1/8" = 10.00'
 USER NAME = craigr



F.A.P. RTE.	SECTION	COUNTY	TOTAL SHEETS	SHEET NO.
808	*	**	715	632
STA. 2237+40.00		TO STA. 2237+60.00		
FED. ROAD DIST. NO.	ILLINOIS	FED. AID PROJECT		
* (205,57,105)RS-2 ** CHAMPAIGN & DOUGLAS				

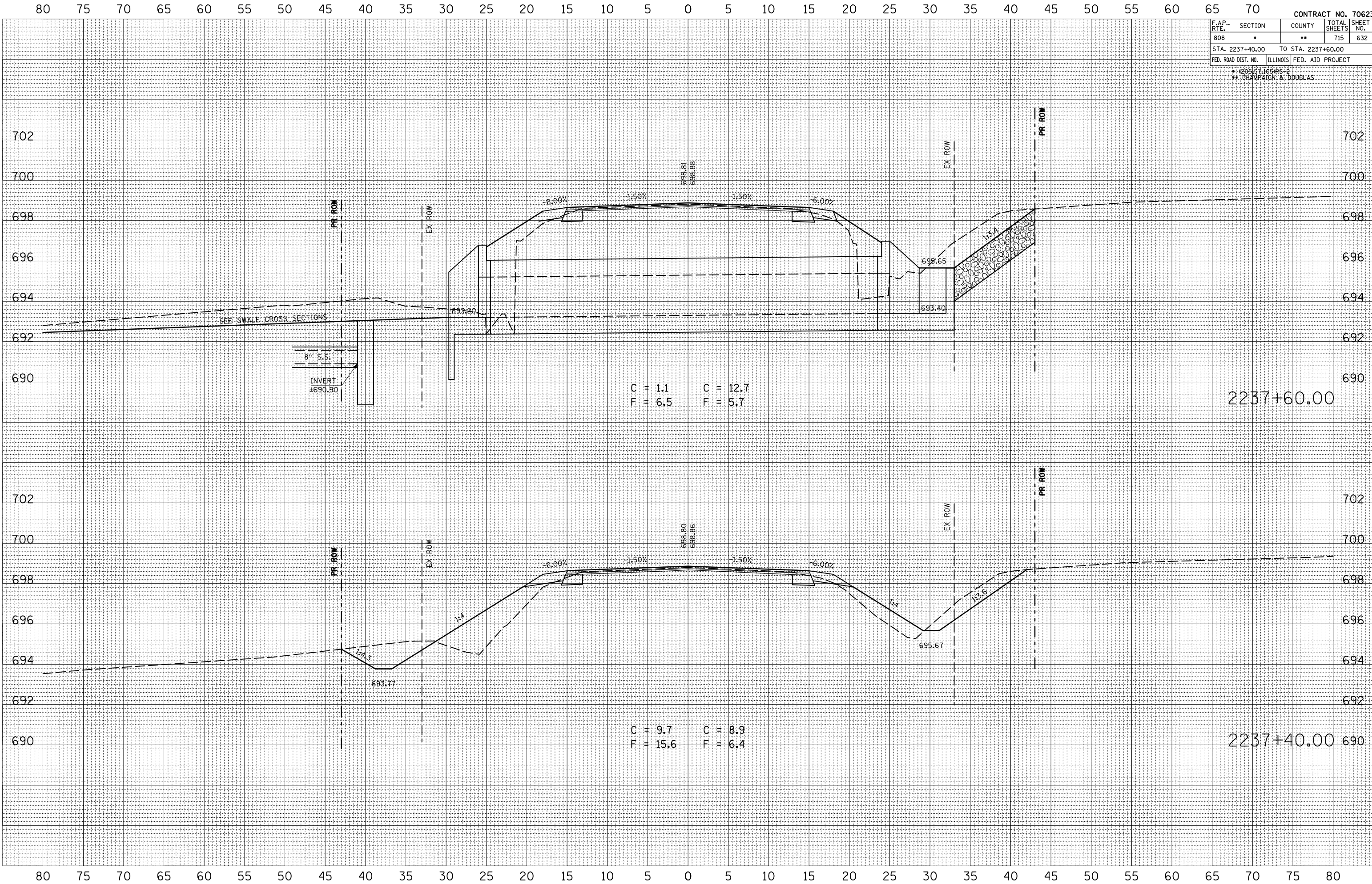
BY	DATE

NO.	AREAS CHECKED

BY	DATE

NO.	AREAS CHECKED

PLOT DATE = 8/1/2009
 FILE NAME = I:\105682\105682.dwg
 PLOT SCALE = 1/8" = 1' IN.
 USER NAME = craigr



2237+60.00

2237+40.00

C = 1.1 C = 12.7
 F = 6.5 F = 5.7

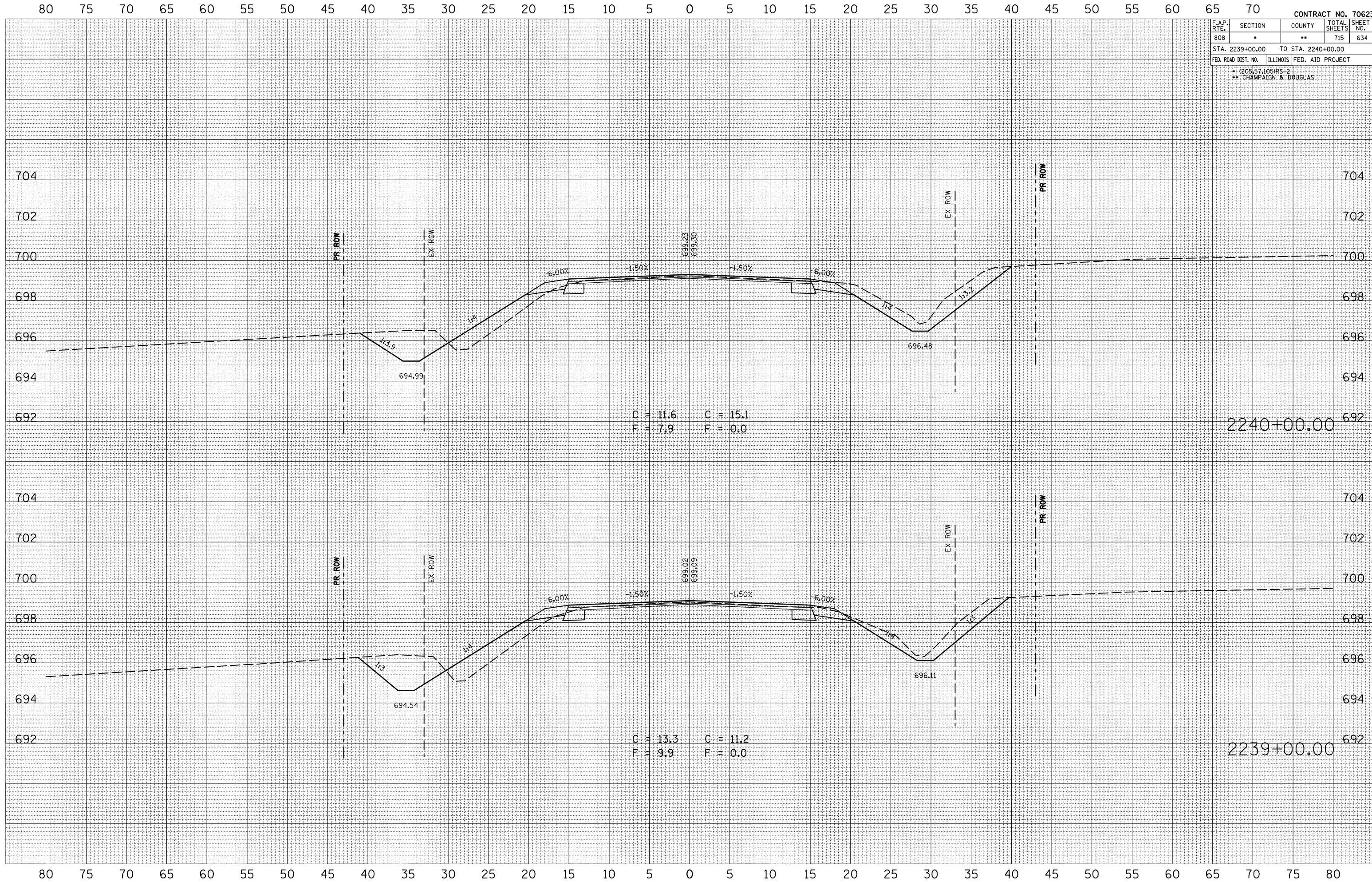
C = 9.7 C = 8.9
 F = 15.6 F = 6.4

F.A.P. RTE.	SECTION	COUNTY	TOTAL SHEETS	SHEET NO.
808	*	**	715	634
STA. 2239+00.00		TO STA. 2240+00.00		
FED. ROAD DIST. NO.	ILLINOIS	FED. AID PROJECT		
* (205.57.105)RS-2				
** CHAMPAIGN & DOUGLAS				

BY	DATE

BY	DATE

PLOT DATE = 8/1/2009
 FILE NAME = I:\ASD\CHAMPAIGN\CHAMPAIGN\CHAMPAIGN.PLOT
 PLOT SCALE = 1/8"=1'-0" / IN.
 USER NAME = craige



F.A.P. RTE.	SECTION	COUNTY	TOTAL SHEETS	SHEET NO.
808	*	**	715	635

STA. 2241+00.00 TO STA. 2242+00.00

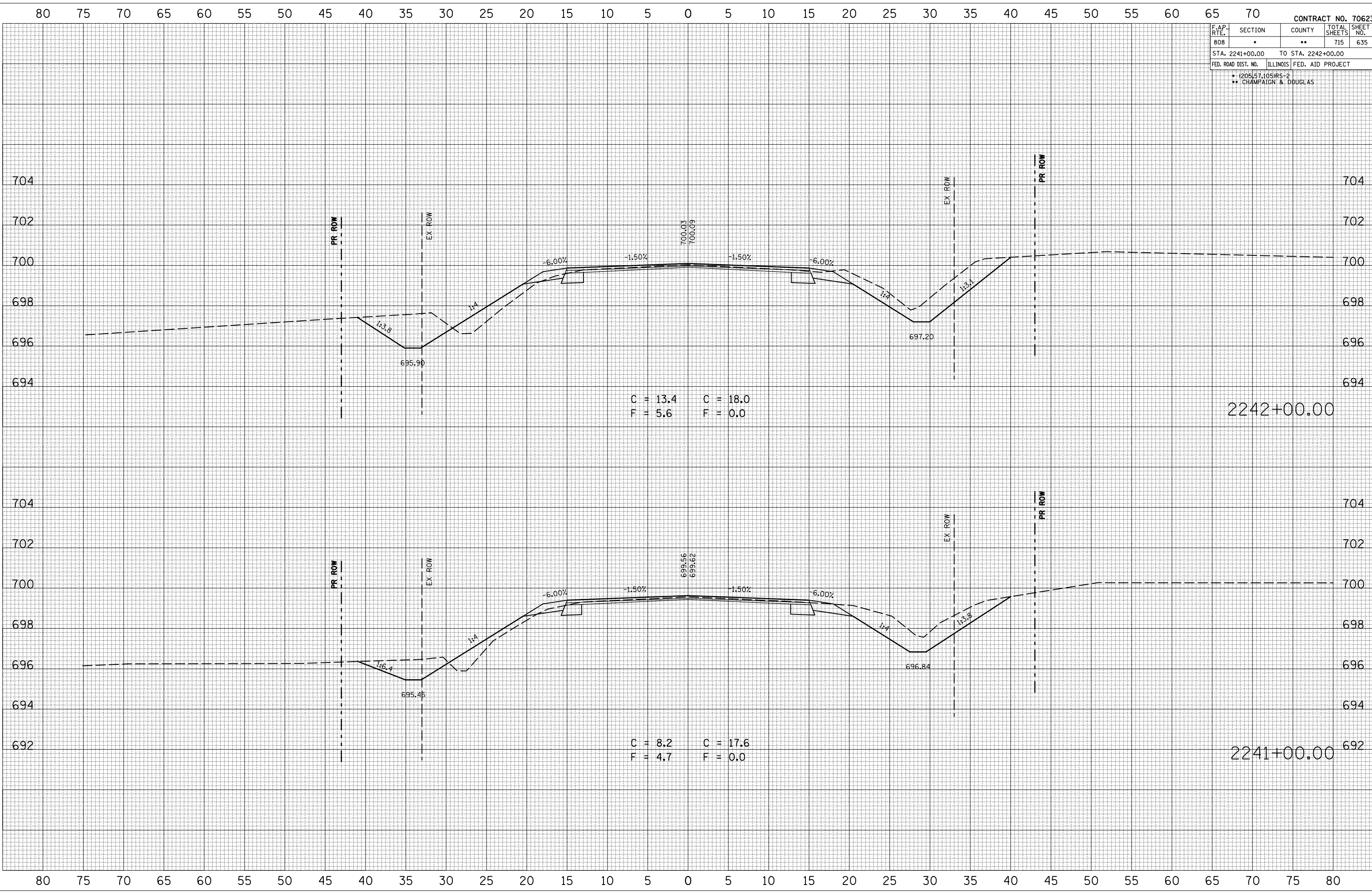
FED. ROAD DIST. NO. ILLINOIS FED. AID PROJECT

• (205,57,105)RS-2
 ** CHAMPAIGN & DOUGLAS

DATE: _____
 BY: _____
 SURVEYED: _____
 PLOTTED: _____
 NOTE BOOK: _____
 NO. _____

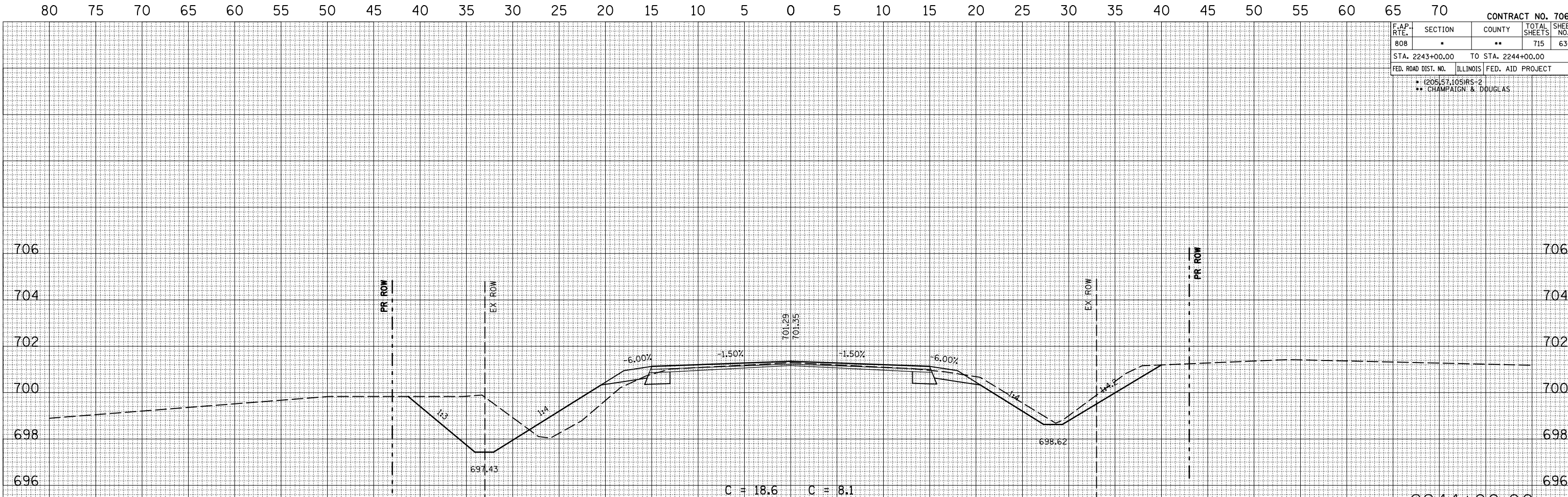
DATE: _____
 BY: _____
 SURVEYED: _____
 PLOTTED: _____
 NOTE BOOK: _____
 NO. _____

PLOT DATE = 8/1/2009
 FILE NAME = 1015682
 PLOT SCALE = 1/8" = 100'
 USER NAME = craigr



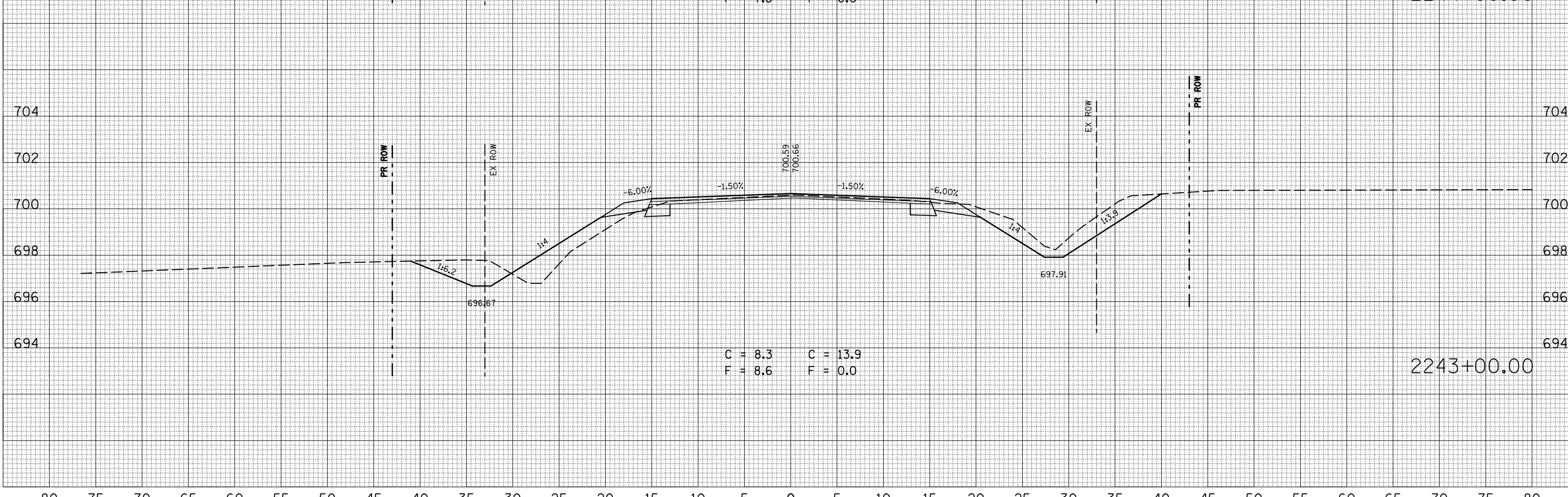
F.A.P. RTE.	SECTION	COUNTY	TOTAL SHEETS	SHEET NO.
808	.	**	715	636
STA. 2243+00.00 TO STA. 2244+00.00				
FED. ROAD DIST. NO. ILLINOIS FED. AID PROJECT				
* 205.57, 105.85-2				
** CHAMPAIGN & DOUGLAS				

BY	DATE
SURVEYED	
PLOTTED	
NOTE BOOK	
AREAS CHECKED	



BY	DATE
SURVEYED	
PLOTTED	
NOTE BOOK	
AREAS CHECKED	
NO.	

PLOT DATE = 8/1/2009
FILE NAME = I:\PROJECTS\2243+00.00\2243+00.00.dwg
PLOT SCALE = 1/8"=1'-0" / IN.
USER NAME = craigre



F.A.P. RTE.	SECTION	COUNTY	TOTAL SHEETS	SHEET NO.
808	*	**	715	637
STA. 2245+00.00		TO STA. 2246+00.00		
FED. ROAD DIST. NO.	ILLINOIS	FED. AID PROJECT		

* (205.57.105)RS-2
 ** CHAMPAIGN & DOUGLAS

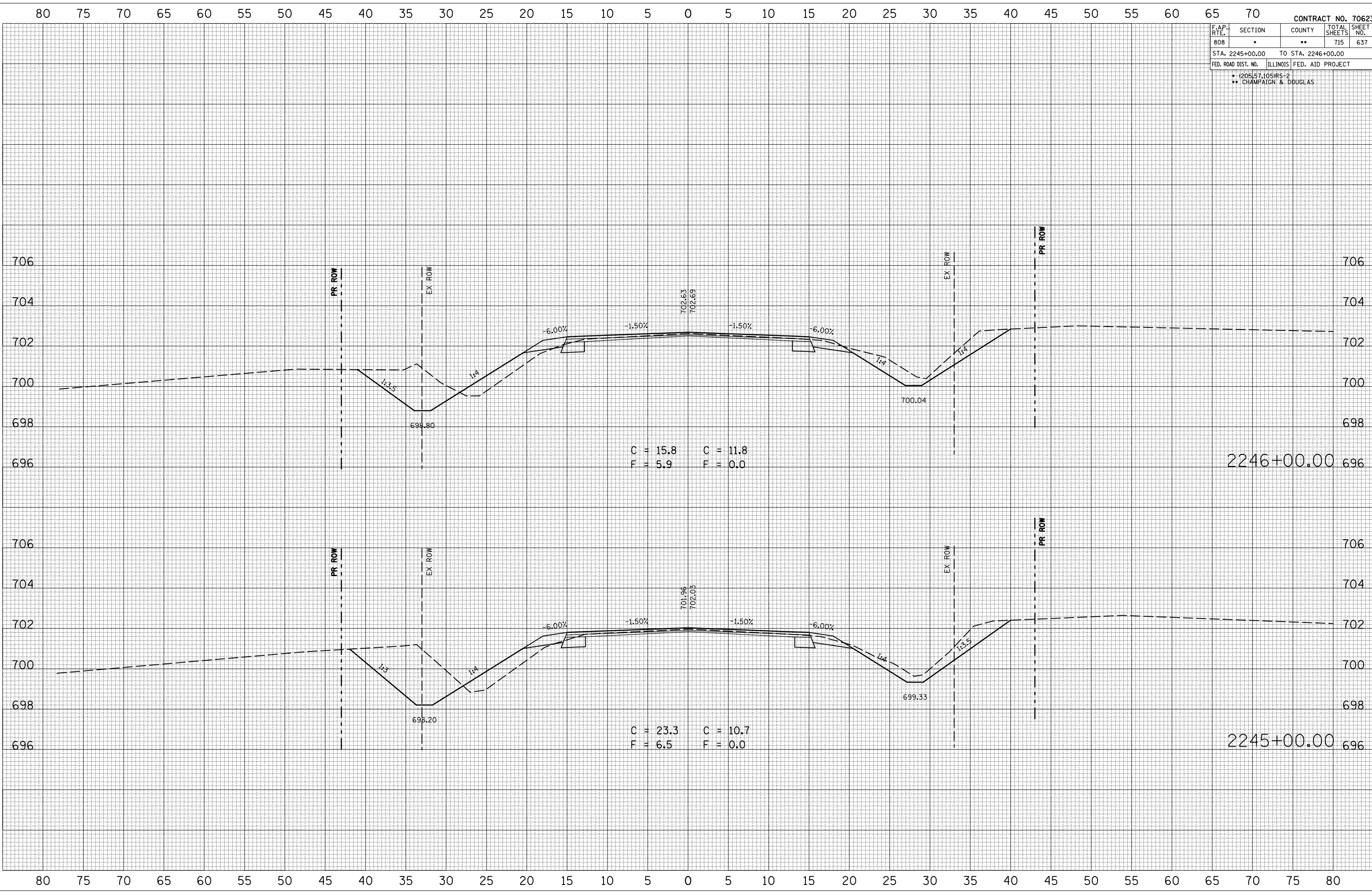
BY	DATE

NO.	AREAS CHECKED

BY	DATE

NO.	AREAS CHECKED

PLOT DATE = 8/1/2009
 FILE NAME = I:\105682\105682.dwg
 PLOT SCALE = 1/8" = 1' IN.
 USER NAME = craigr



C = 15.8 C = 11.8
 F = 5.9 F = 0.0

2246+00.00

C = 23.3 C = 10.7
 F = 6.5 F = 0.0

2245+00.00

80 75 70 65 60 55 50 45 40 35 30 25 20 15 10 5 0 5 10 15 20 25 30 35 40 45 50 55 60 65 70

80 75 70 65 60 55 50 45 40 35 30 25 20 15 10 5 0 5 10 15 20 25 30 35 40 45 50 55 60 65 70 75 80

F.A.P. RTE.	SECTION	COUNTY	TOTAL SHEETS	SHEET NO.
808	•	••	715	638
STA. 2247+00.00		TO STA. 2248+00.00		
FED. ROAD DIST. NO.	ILLINOIS	FED. AID PROJECT		
• (205,17,105)RS-2 •• CHAMPAIGN & DOUGLAS				

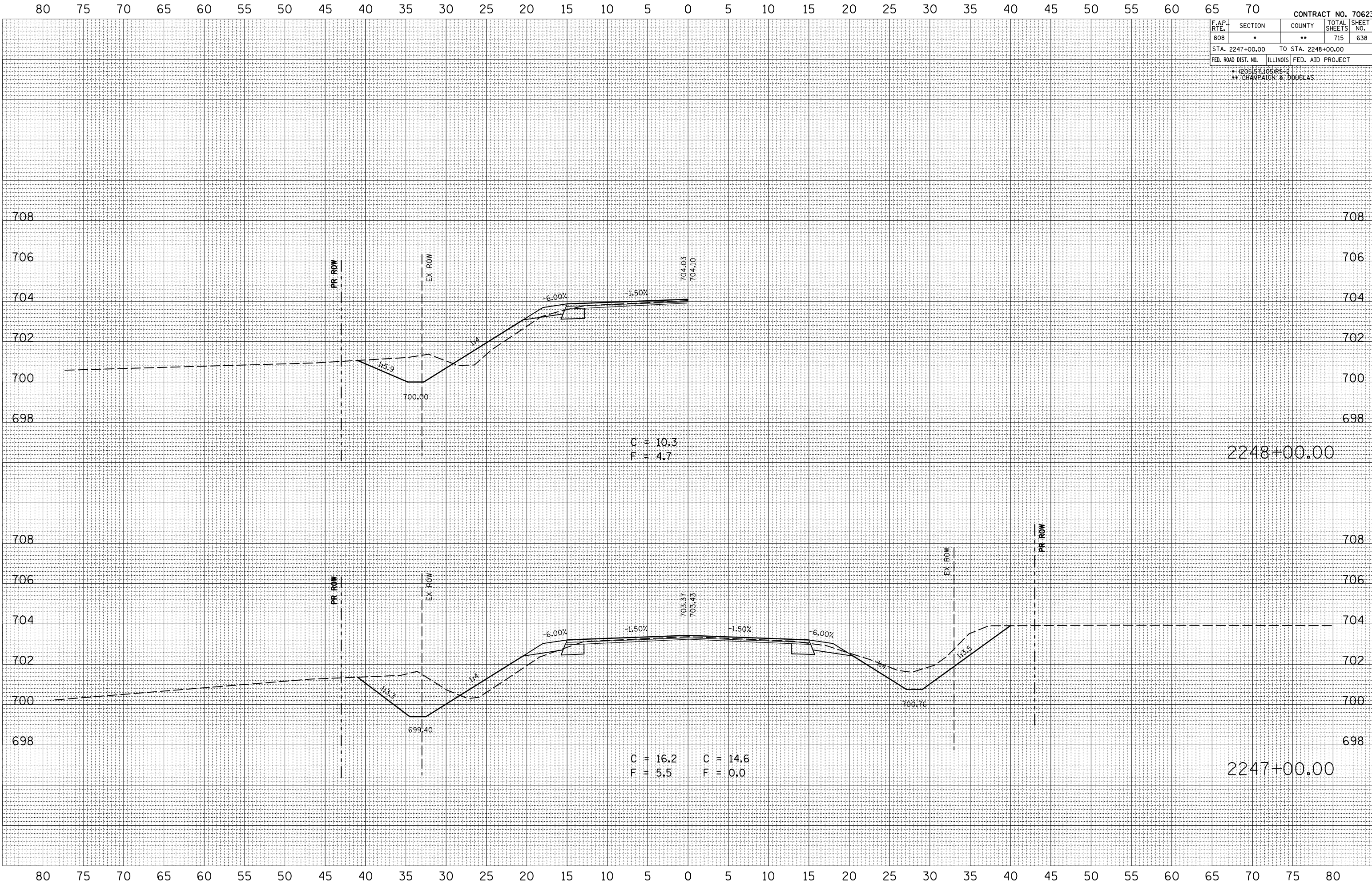
BY	DATE

NO.	AREAS CHECKED

BY	DATE

NO.	AREAS CHECKED

PLOT DATE = 8/1/2009
 FILE NAME = I:\PROJECTS\CHAMPAIGN\CHAMPAIGN\CHAMPAIGN.PLOT
 PLOT SCALE = 1/8"=1'-0"
 USER NAME = craigr



80 75 70 65 60 55 50 45 40 35 30 25 20 15 10 5 0 5 10 15 20 25 30 35 40 45 50 55 60 65 70

80 75 70 65 60 55 50 45 40 35 30 25 20 15 10 5 0 5 10 15 20 25 30 35 40 45 50 55 60 65 70 75 80

F.A.P. RTE.	SECTION	COUNTY	TOTAL SHEETS	SHEET NO.
808	*	**	715	639
STA. 2248+10.00		TO STA. 2248+44.00		
FED. ROAD DIST. NO.	ILLINOIS	FED. AID PROJECT		
* (205.57, 105)RS-2 ** CHAMPAIGN & DOUGLAS				

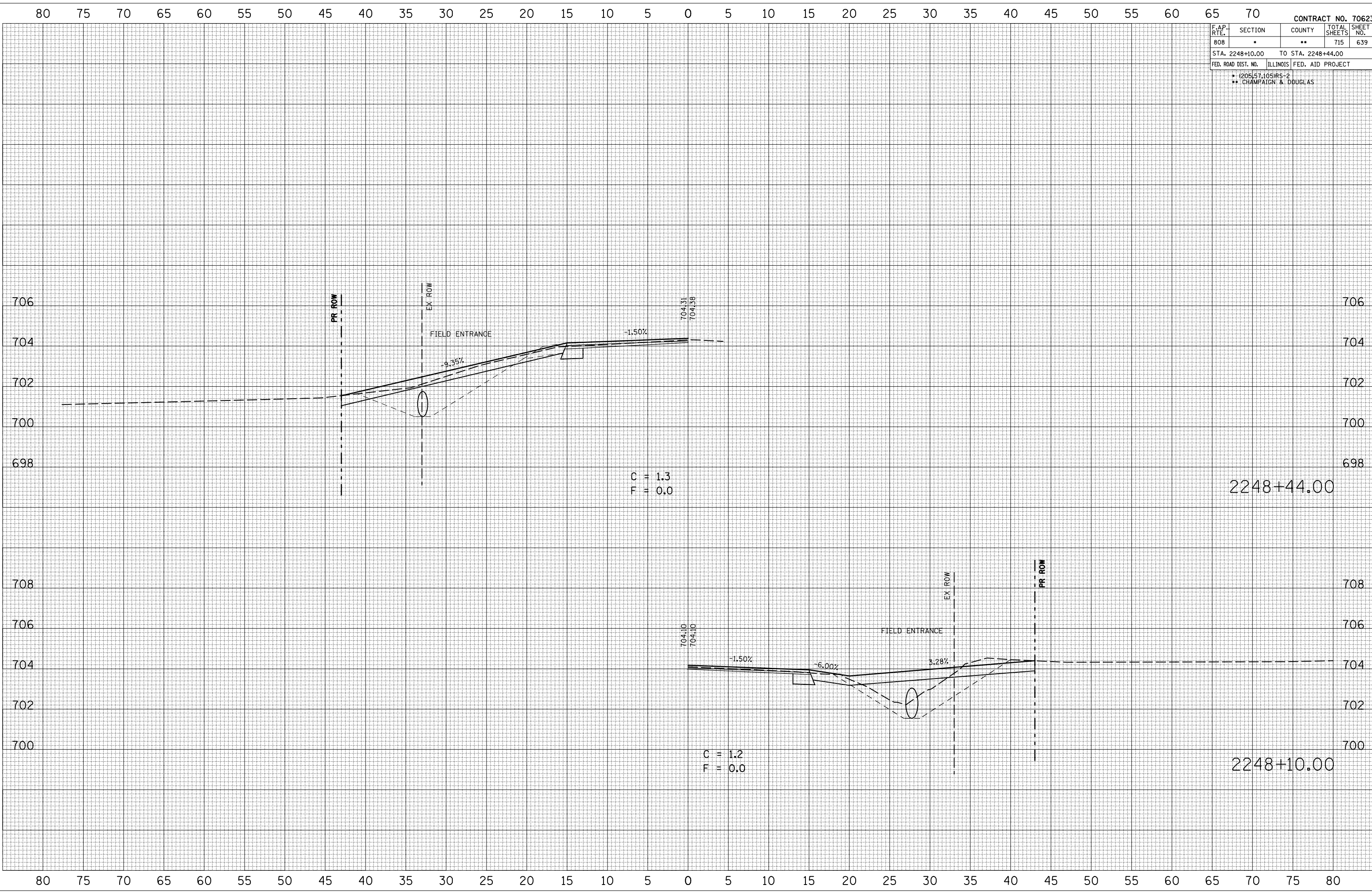
BY	DATE

NO.	AREAS CHECKED

BY	DATE

NO.	AREAS CHECKED

PLOT DATE = 8/1/2009
 FILE NAME = 1015582
 PLOT SCALE = 1/8" = 1' IN.
 USER NAME = craigr



2248+44.00

2248+10.00

F.A.P. RTE.	SECTION	COUNTY	TOTAL SHEETS	SHEET NO.
808		**	715	640
STA. 2249+00.00		TO STA. 2250+00.00		
FED. ROAD DIST. NO.		ILLINOIS	FED. AID PROJECT	
• (205,57,105)RS-2 ** CHAMPAIGN & DOUGLAS				

BY	DATE

NO.	AREAS CHECKED

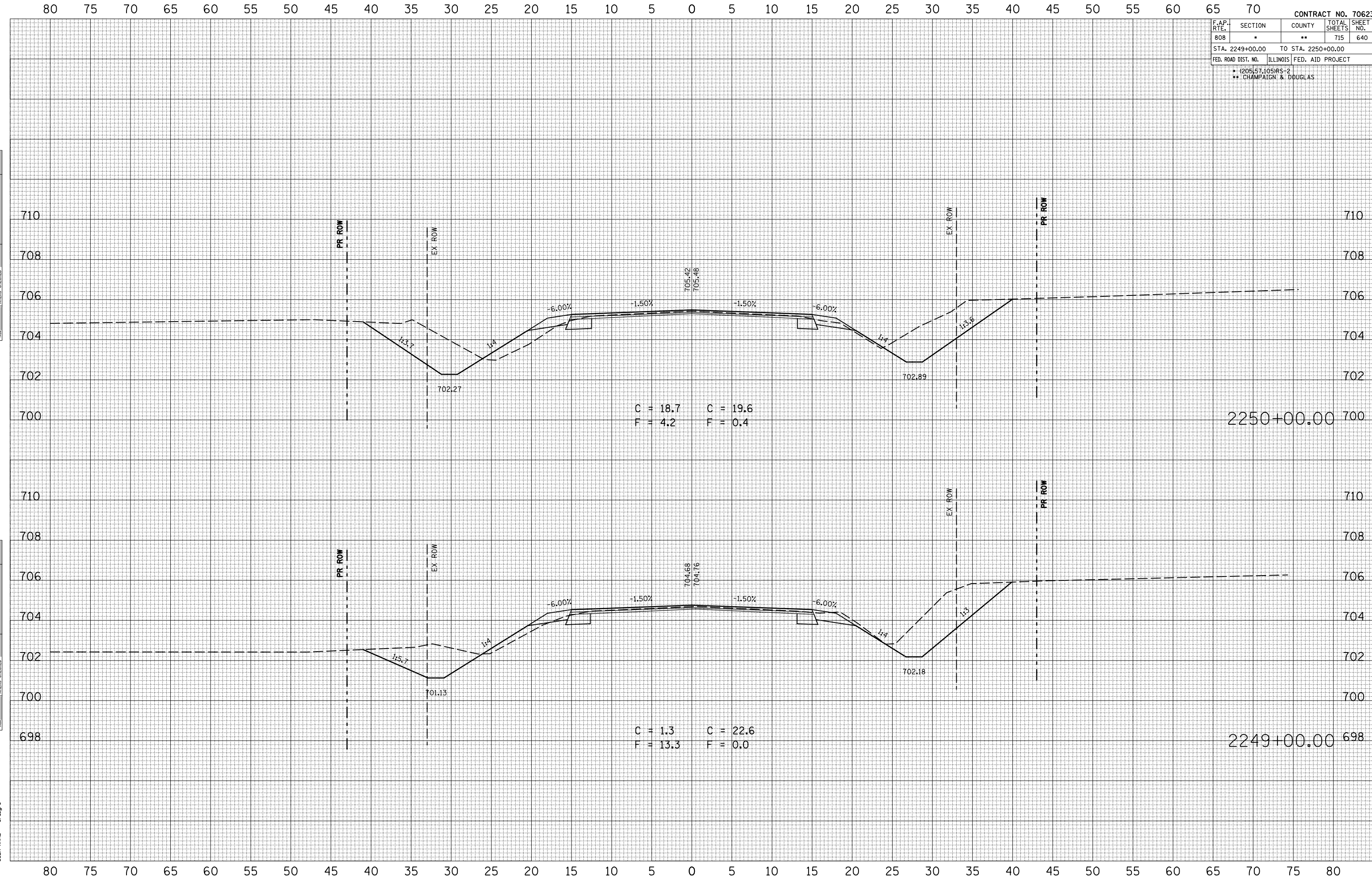
NO.	AREAS CHECKED

BY	DATE

NO.	AREAS CHECKED

NO.	AREAS CHECKED

PLOT DATE = 8/1/2009
 FILE NAME = I:\ASB2\PROJECTS\CRAIGRE\81919\82578\82578.plt
 PLOT SCALE = 1/8"=1'-0"
 USER NAME = craigre

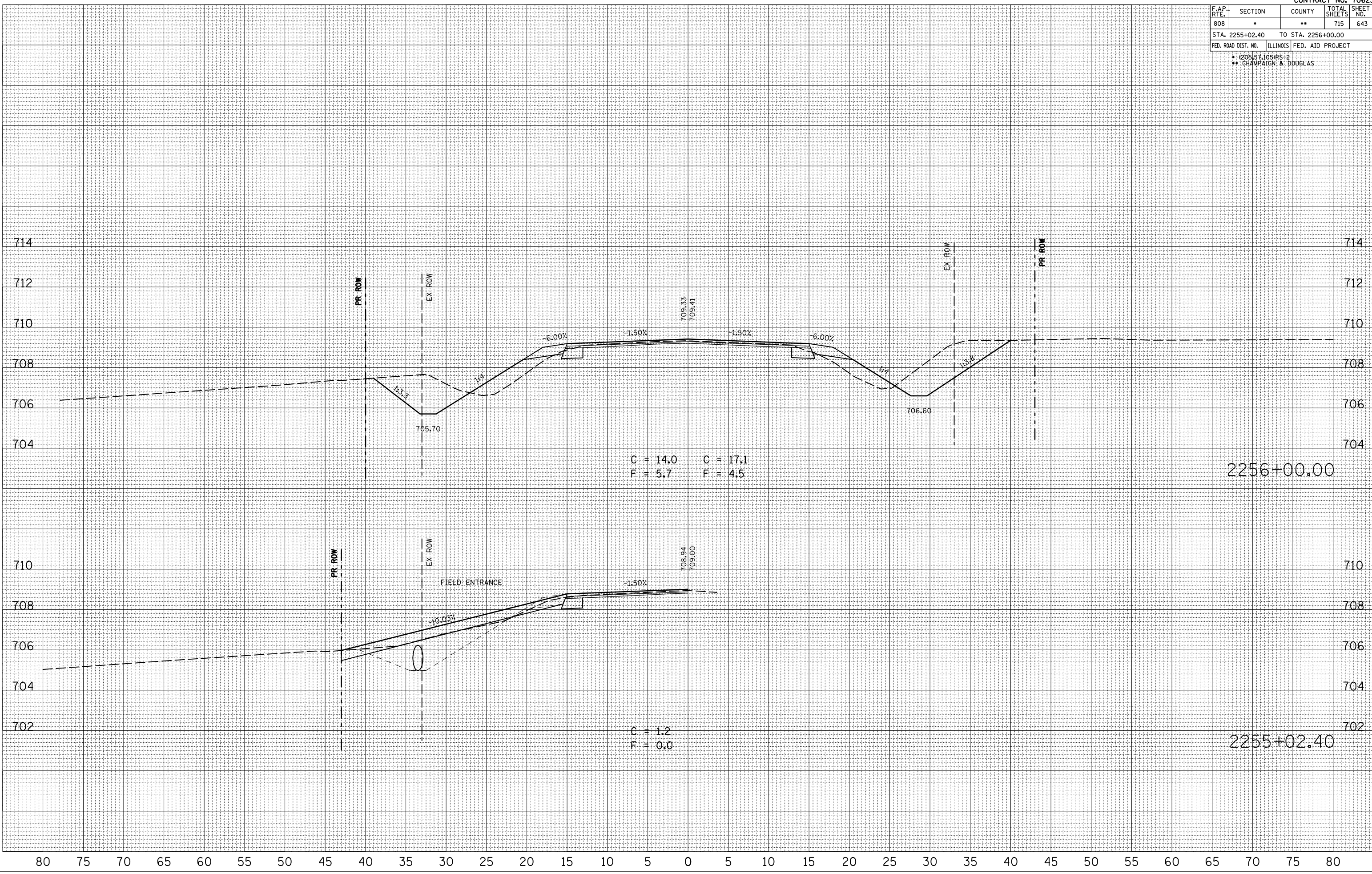


F.A.P. RTE.	SECTION	COUNTY	TOTAL SHEETS	SHEET NO.
808	*	**	715	643
STA. 2255+02.40		TO STA. 2256+00.00		
FED. ROAD DIST. NO.		ILLINOIS	FED. AID PROJECT	
* (205.57, 105)RS-2 ** CHAMPAIGN & DOUGLAS				

BY	DATE

BY	DATE

PLOT DATE = 8/1/2009
 FILE NAME = I:\105682\105682.dwg
 PLOT SCALE = 1/8" = 1' IN.
 USER NAME = craigr

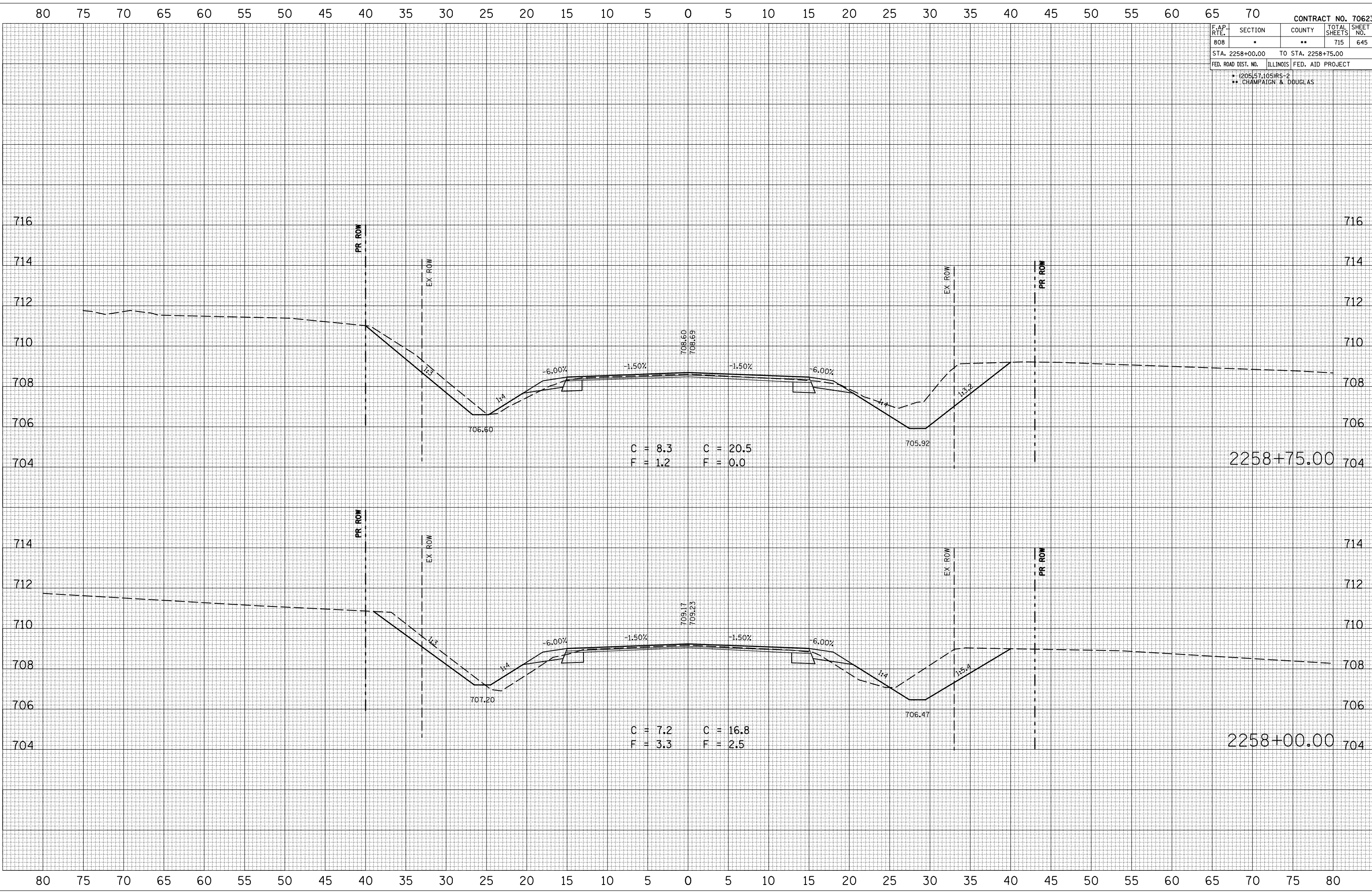


F.A.P. RTE.	SECTION	COUNTY	TOTAL SHEETS	SHEET NO.
808	*	**	715	645
STA. 2258+00.00		TO STA. 2258+75.00		
FED. ROAD DIST. NO.	ILLINOIS	FED. AID PROJECT		
* (205,57,105)RS-2				
** CHAMPAIGN & DOUGLAS				

BY	DATE
NO.	

BY	DATE
NO.	

PLOT DATE = 8/1/2009
 FILE NAME = I:\105682\CRAIGRE\0819\94023\25823\70623.dwg
 PLOT SCALE = 1/8"=1'-0" / IN.
 USER NAME = craigre

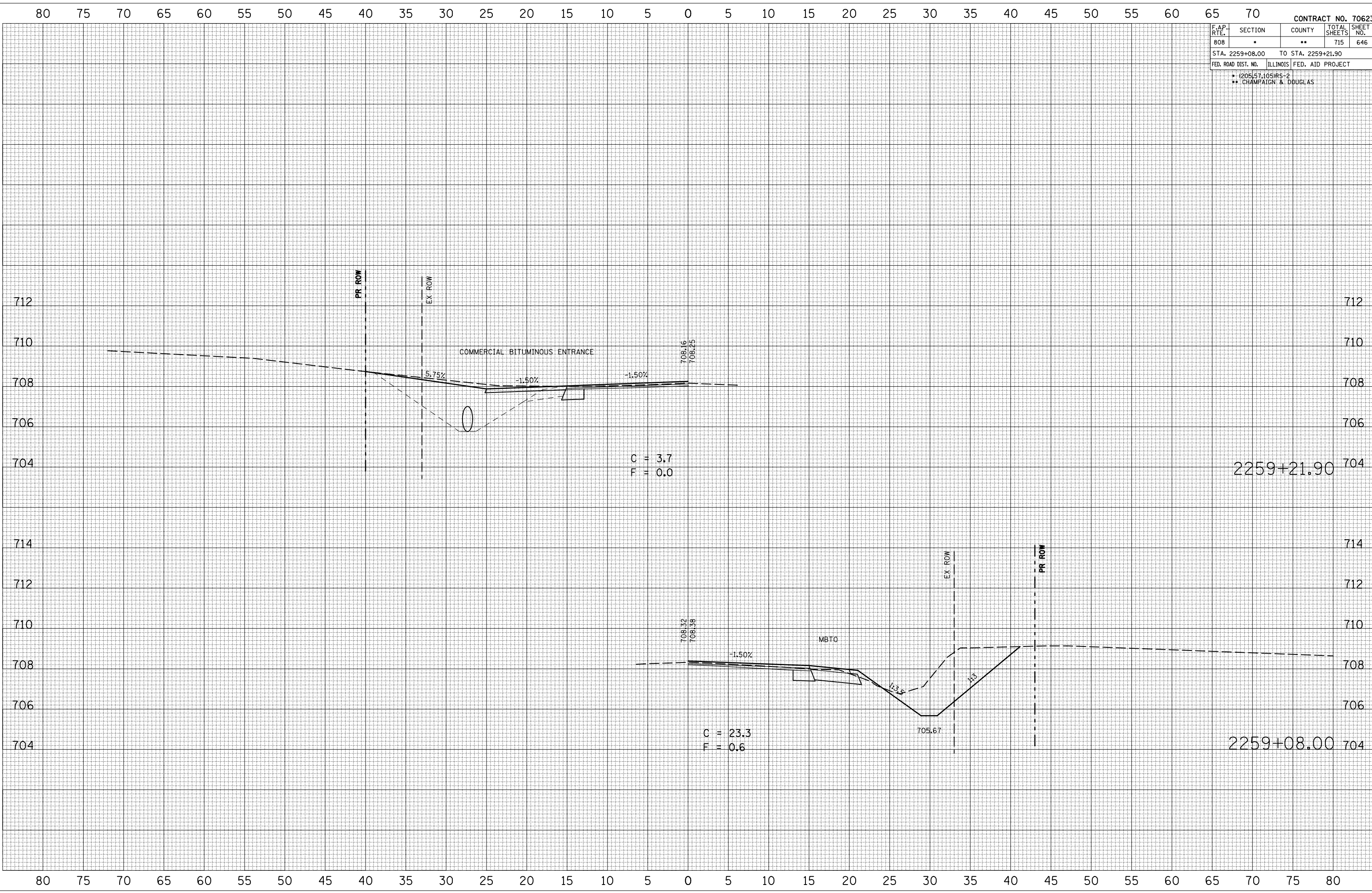


F.A.P. RTE.	SECTION	COUNTY	TOTAL SHEETS	SHEET NO.
808	*	**	715	646
STA. 2259+08.00		TO STA. 2259+21.90		
FED. ROAD DIST. NO.		ILLINOIS FED. AID PROJECT		
* (205)57.105RS-2 ** CHAMPAIGN & DOUGLAS				

BY	DATE

BY	DATE

PLOT DATE = 8/1/2009
 FILE NAME = I:\105682\CRAIGRE\81994257E\81994257E.dwg
 PLOT SCALE = 1/8" = 1' / IN.
 USER NAME = craigre



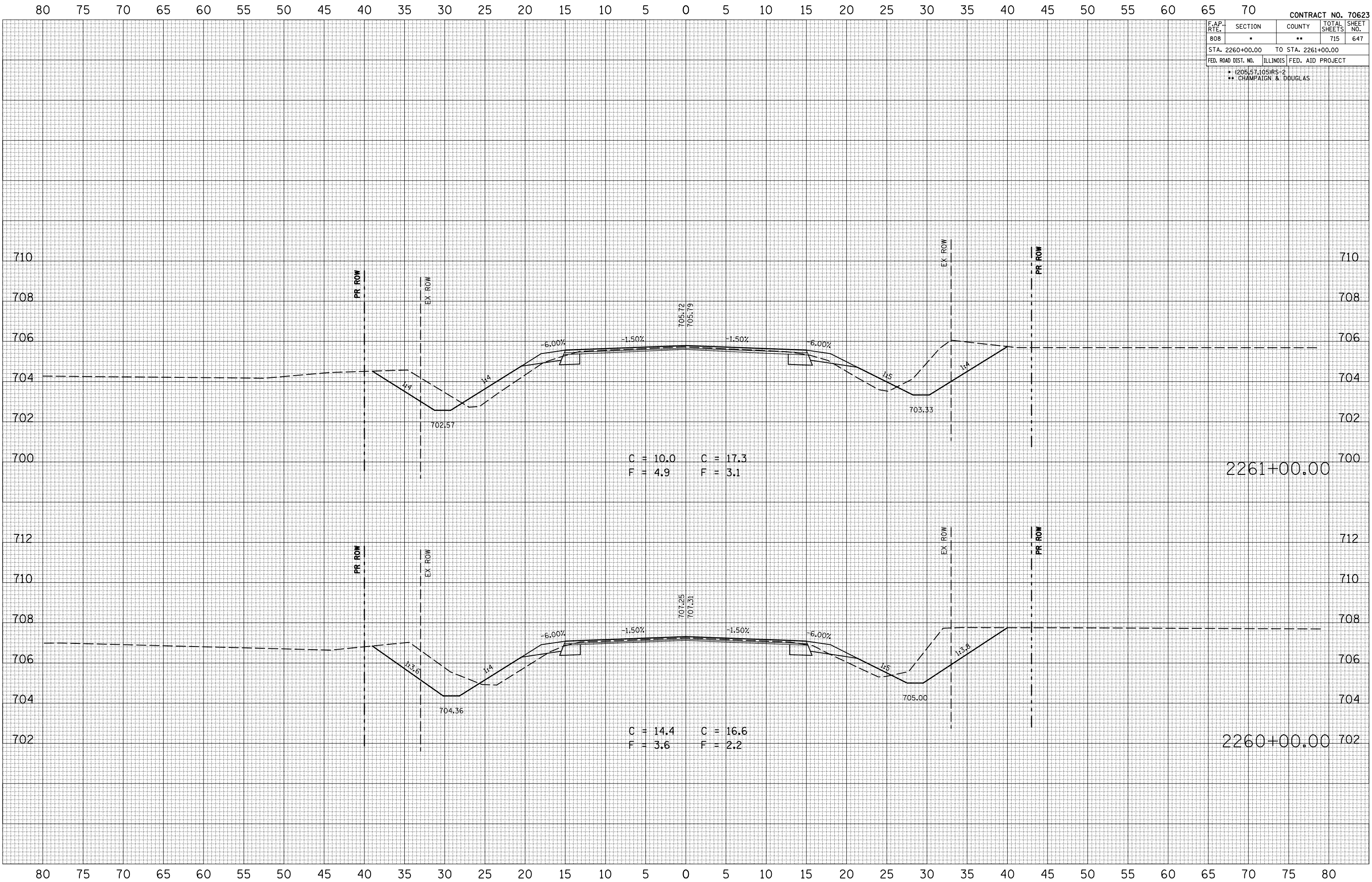
F.A.P. RTE.	SECTION	COUNTY	TOTAL SHEETS	SHEET NO.
808	*	**	715	647
STA. 2260+00.00		TO STA. 2261+00.00		
FED. ROAD DIST. NO.		ILLINOIS FED. AID PROJECT		

* (205.57, 105)RS-2
 ** CHAMPAIGN & DOUGLAS

BY	DATE
SURVEYED	
PLOTTED	
NOTE BOOK	
AREAS CHECKED	

BY	DATE
SURVEYED	
PLOTTED	
NOTE BOOK	
AREAS CHECKED	

PLOT DATE = 8/1/2009
 FILE NAME = I:\105682\CRAIGRE\A105682\CRAIGRE\A105682\A105682.dwg
 PLOT SCALE = 1/8"=1'-0" / IN.
 USER NAME = craigre

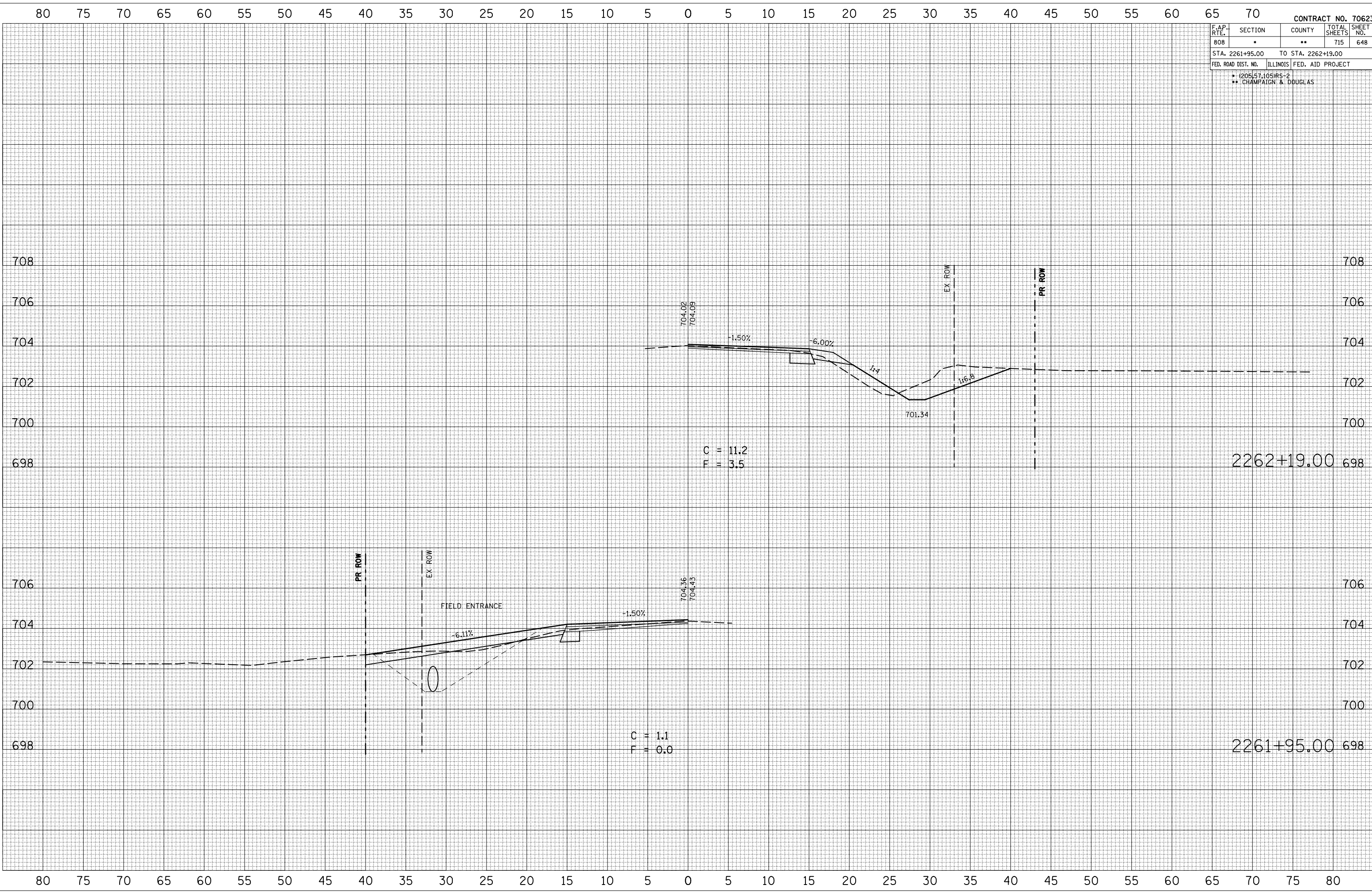


F.A.P. RTE.	SECTION	COUNTY	TOTAL SHEETS	SHEET NO.
808		**	715	648
STA. 2261+95.00		TO STA. 2262+19.00		
FED. ROAD DIST. NO.	ILLINOIS	FED. AID PROJECT		
* (205) 57, 105) RS-2 ** CHAMPAIGN & DOUGLAS				

BY	DATE
FINAL SURVEY	SURVEYED
NOTE BOOK	PLOTTED
NO.	AREAS CHECKED

BY	DATE
ORIGINAL SURVEY	SURVEYED
FILE NAME	PLOTTED
NO.	AREAS CHECKED

PLOT DATE = 8/1/2009
 FILE NAME = 1015582
 PLOT SCALE = 1" = 10.00'
 USER NAME = craigr



F.A.P. RTE.	SECTION	COUNTY	TOTAL SHEETS	SHEET NO.
808	*	**	715	649
STA. 2262+44.00		TO STA. 2263+00.00		
FED. ROAD DIST. NO.		ILLINOIS	FED. AID PROJECT	
* (205) 57, 105) RS-2 ** CHAMPAIGN & DOUGLAS				

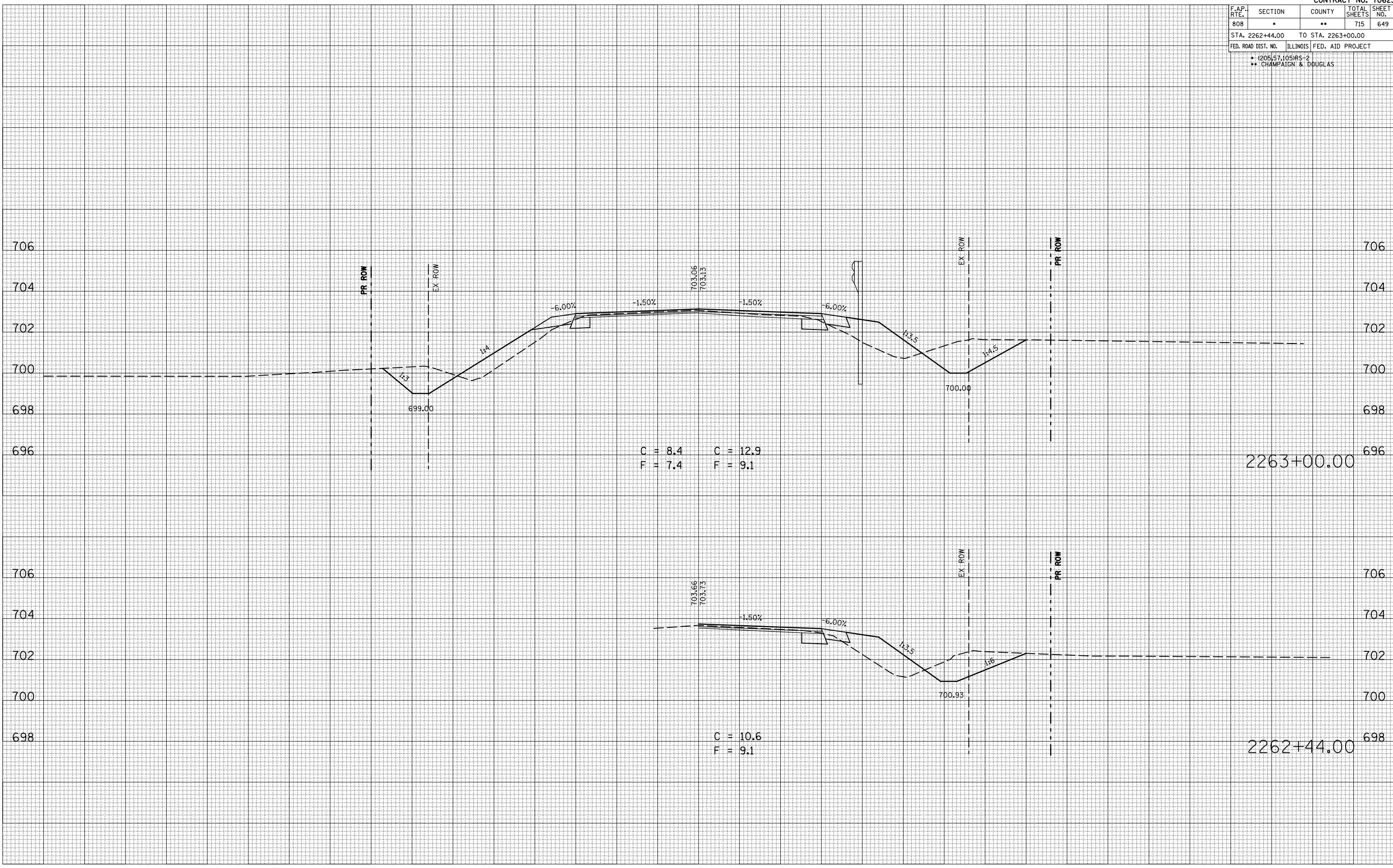
BY	DATE

NO.	AREAS CHECKED	AREAS	PLATE	PLOTTED	SURVEYED

BY	DATE

NO.	AREAS CHECKED	AREAS	PLATE	PLOTTED	SURVEYED

PLOT DATE = 8/1/2009
 FILE NAME = 1015682
 PLOT SCALE = 1/8" = 1' IN.
 USER NAME = craigr



F.A.P. RTE. 808	SECTION *	COUNTY **	TOTAL SHEETS 715	SHEET NO. 650
STA. 2263+06.00		TO STA. 2263+31.00		
FED. ROAD DIST. NO. ILLINOIS FED. AID PROJECT				
* (205.57.105)RS-2 ** CHAMPAIGN & DOUGLAS				

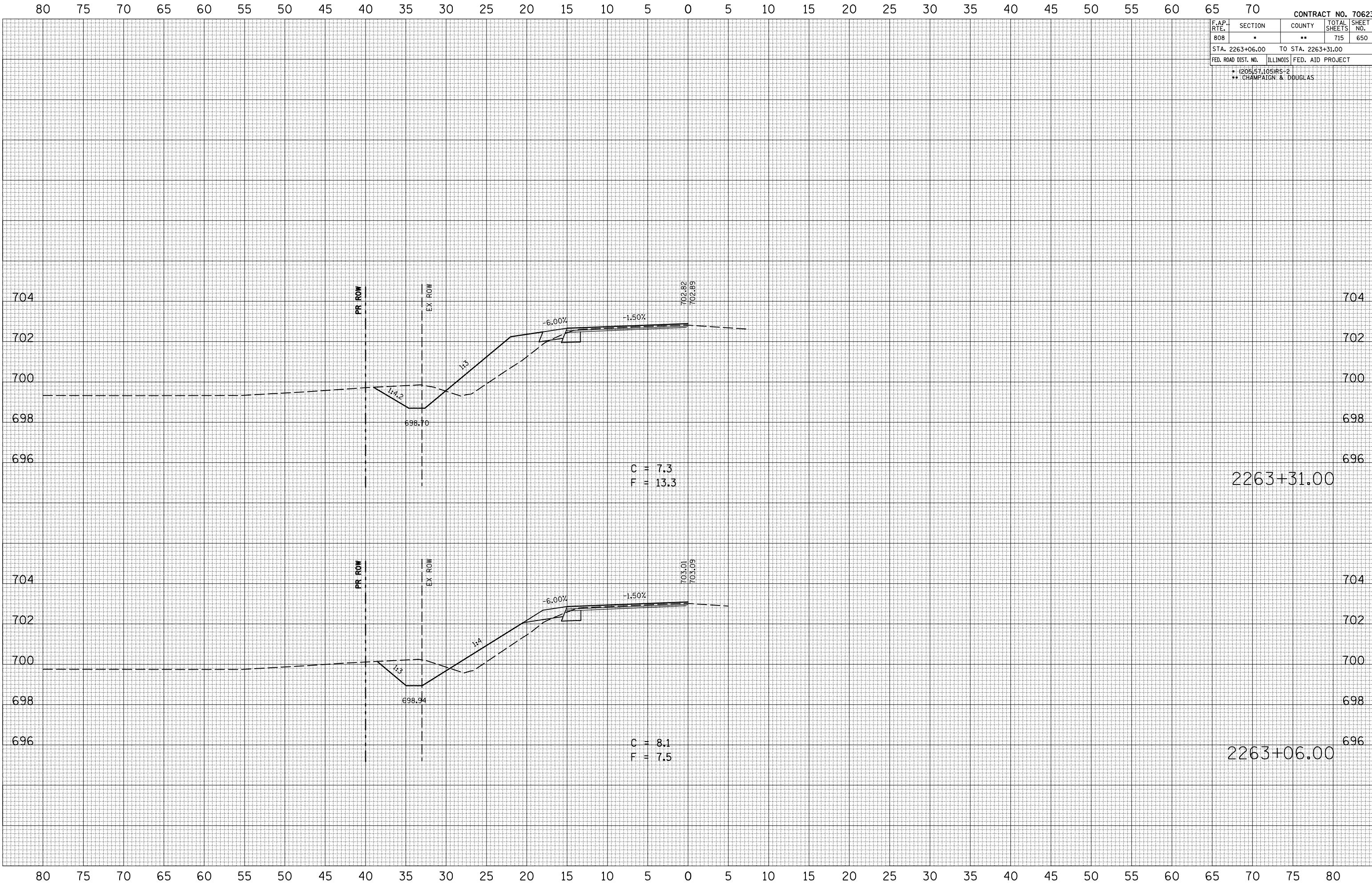
BY	DATE

FINAL SURVEY PLOTTED	
NO. BOOK	
AREAS CHECKED	

BY	DATE

ORIGINAL SURVEY PLOTTED	
NO. BOOK	
AREAS CHECKED	

PLOT DATE = 8/1/2009
 FILE NAME = \\10.5682\PROJECTS\2263\2263-07-07.dwg
 PLOT SCALE = 1/8" = 1' / IN.
 USER NAME = craigr



C = 7.3
 F = 13.3

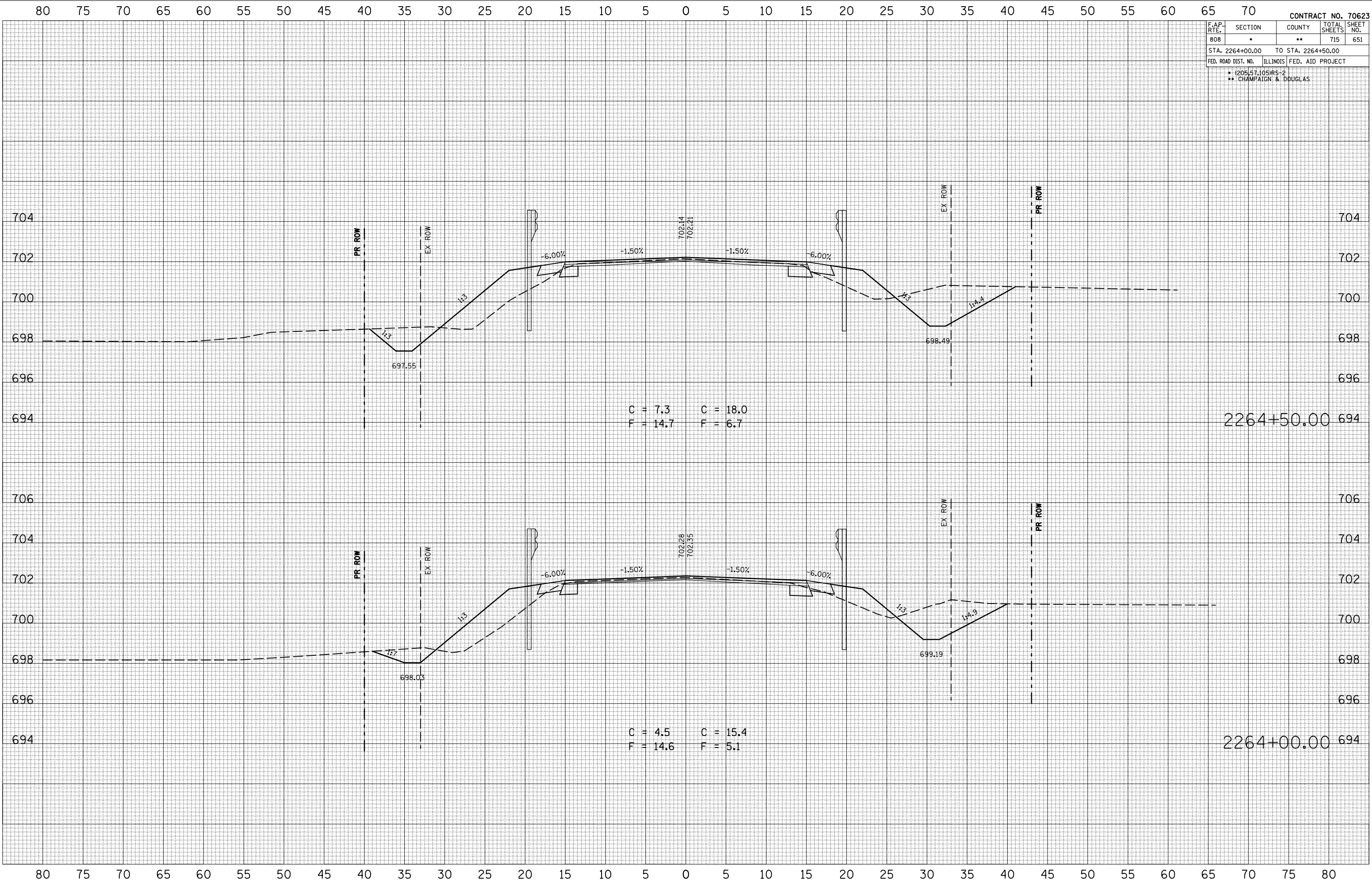
2263+31.00

C = 8.1
 F = 7.5

2263+06.00

F.A.P. RTE.	SECTION	COUNTY	TOTAL SHEETS	SHEET NO.
808	*	**	715	651
STA. 2264+00.00		TO STA. 2264+50.00		
FED. ROAD DIST. NO.		ILLINOIS FED. AID PROJECT		

* 205.57.105RS-2
 ** CHAMPAIGN & DOUGLAS



BY	DATE

BY	DATE

PLOT DATE = 8/1/2009
 FILE NAME = I:\105682\CRAIGRE\105682\105682.dwg
 PLOT SCALE = 1/8" = 1' IN.
 USER NAME = craigre

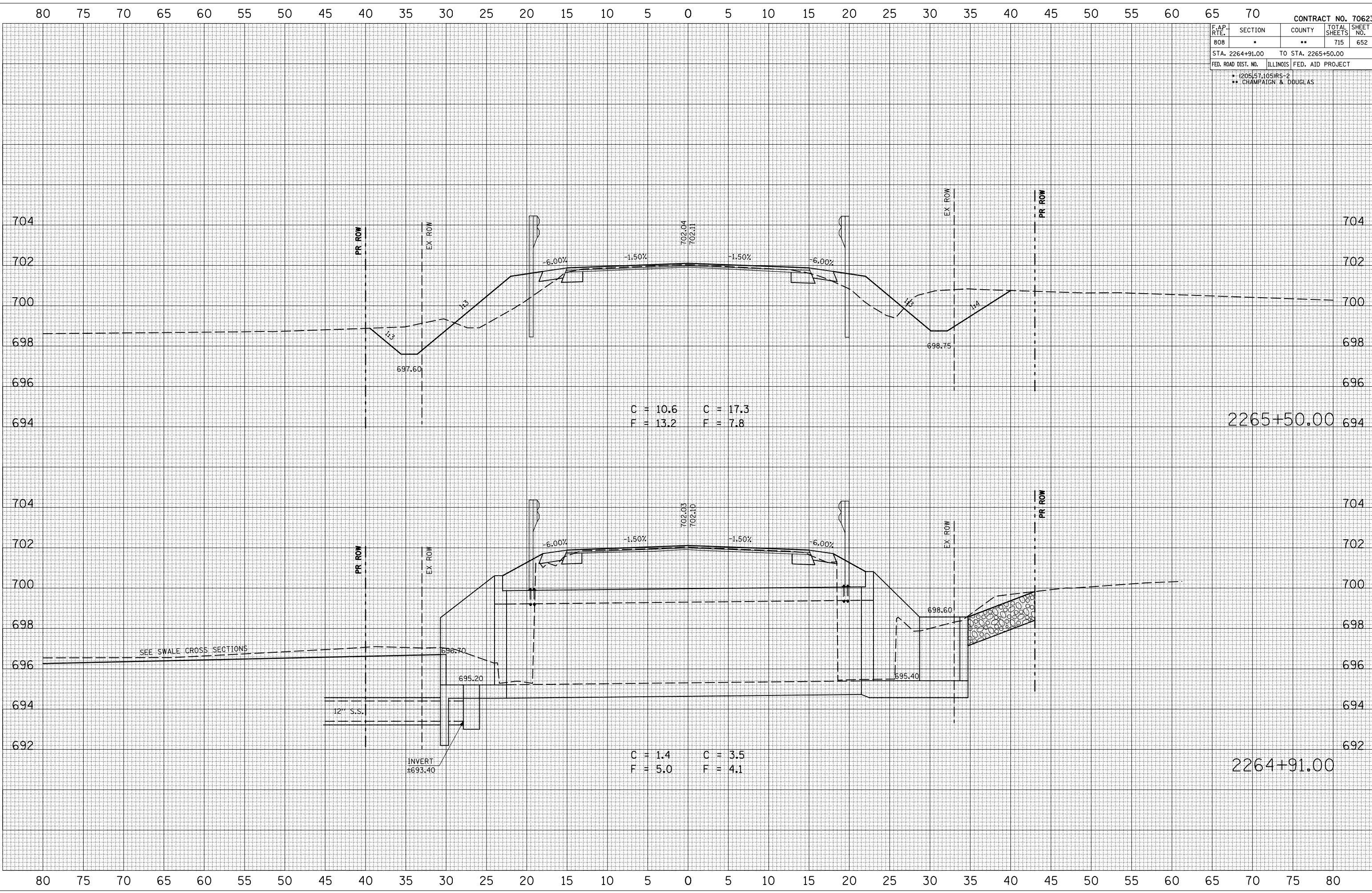
F.A.P. RTE.	SECTION	COUNTY	TOTAL SHEETS	SHEET NO.
808	.	**	715	652
STA. 2264+91.00		TO STA. 2265+50.00		
FED. ROAD DIST. NO. ILLINOIS FED. AID PROJECT				

• (205.57,105)RS-2
 ** CHAMPAIGN & DOUGLAS

DATE	
BY	
FINAL SURVEY	
SURVEYED	
PLOTTED	
NOTE BOOK	
AREAS CHECKED	
NO.	

DATE	
BY	
ORIGINAL SURVEY	
SURVEYED	
PLOTTED	
NOTE BOOK	
AREAS CHECKED	
NO.	

PLOT DATE = 8/1/2009
 FILE NAME = 1105682
 PLOT SCALE = 1/4" = 10'-0"
 USER NAME = craigr



C = 10.6 C = 17.3
 F = 13.2 F = 7.8

C = 1.4 C = 3.5
 F = 5.0 F = 4.1

SEE SWALE CROSS SECTIONS

12" S.S.

INVERT
693.40

2265+50.00

2264+91.00

F.A.P. RTE.	SECTION	COUNTY	TOTAL SHEETS	SHEET NO.
808	*	**	715	653
STA. 2266+00.00		TO STA. 2266+51.00		
FED. ROAD DIST. NO.		ILLINOIS FED. AID PROJECT		
* (205,57,105)RS-2				
** CHAMPAIGN & DOUGLAS				

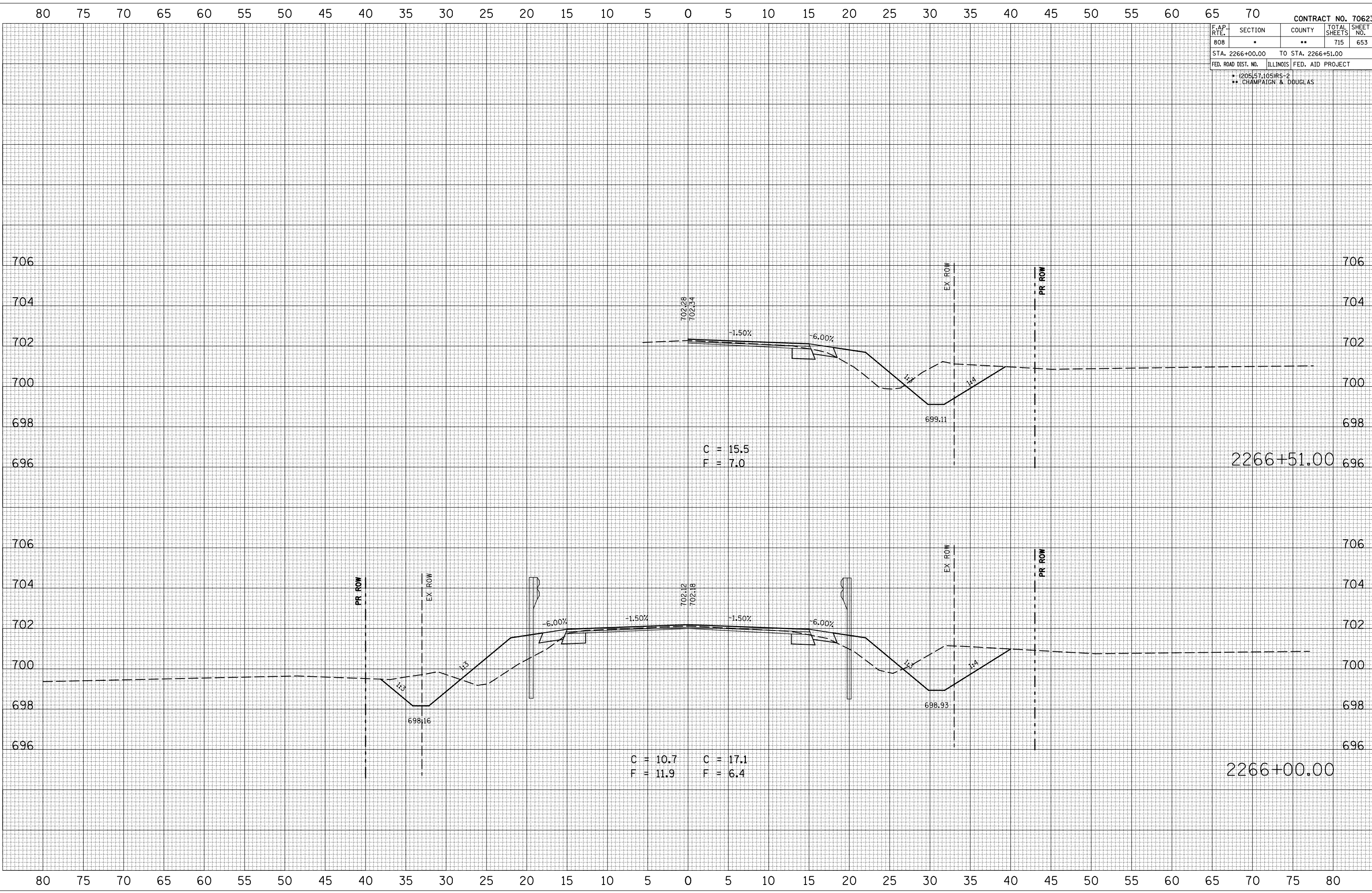
BY	DATE

NO.	AREAS CHECKED

BY	DATE

NO.	AREAS CHECKED

PLOT DATE = 8/1/2009
 FILE NAME = 1015682
 PLOT SCALE = 1/8" = 1' IN.
 USER NAME = craigr



80 75 70 65 60 55 50 45 40 35 30 25 20 15 10 5 0 5 10 15 20 25 30 35 40 45 50 55 60 65 70 75 80

F.A.P. RTE.	SECTION	COUNTY	TOTAL SHEETS	SHEET NO.
808	•	••	715	655
STA. 2267+39.00		TO STA. 2267+64.00		
FED. ROAD DIST. NO.	ILLINOIS	FED. AID PROJECT		
• (205.57.105)RS-2				
•• CHAMPAIGN & DOUGLAS				

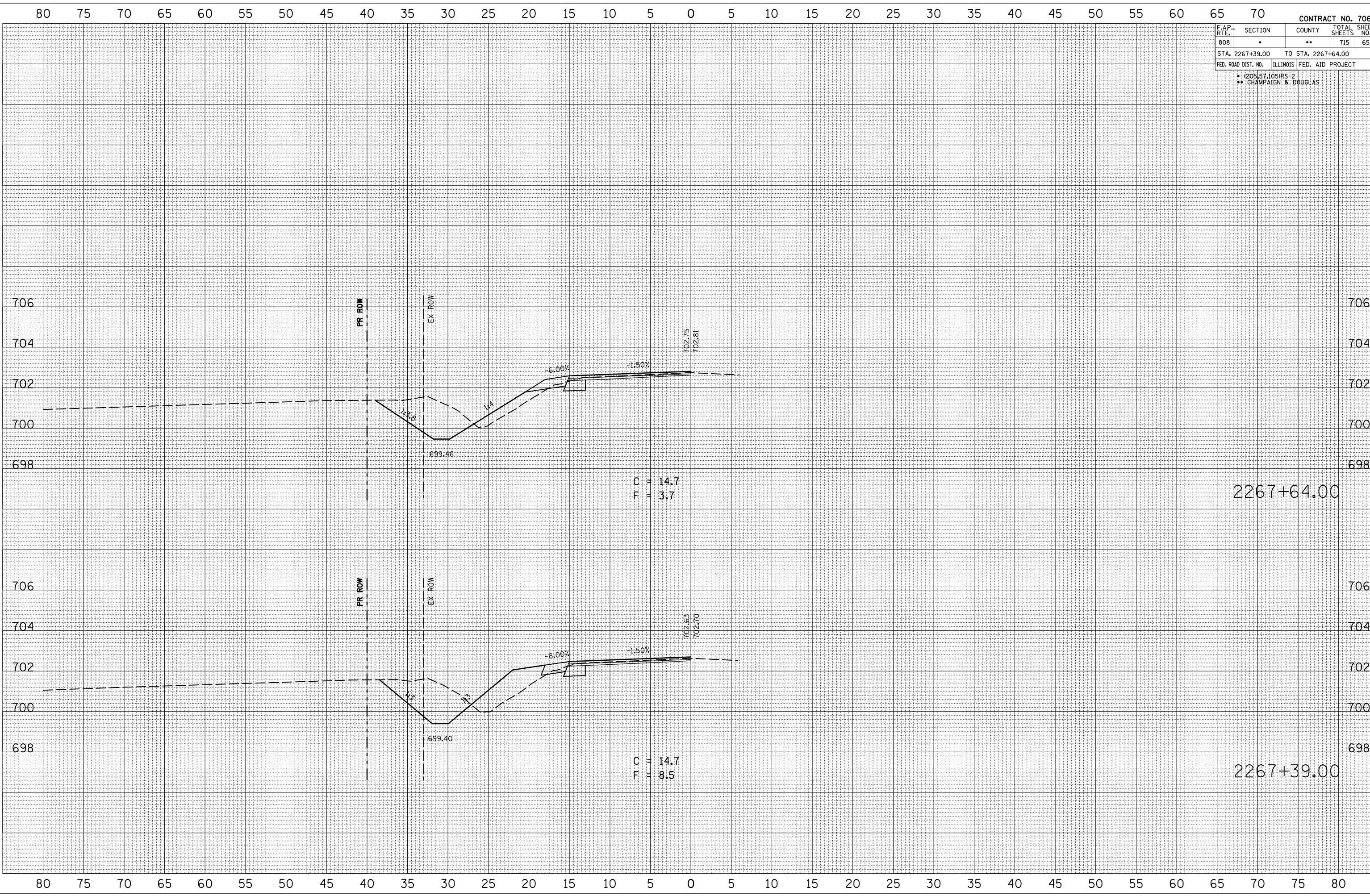
BY	DATE

NO.	AREAS CHECKED

BY	DATE

NO.	AREAS CHECKED

PLOT DATE = 8/4/2009
 FILE NAME = 10.15.09.027 / IN.
 PLOT SCALE = 1" = 30'
 USER NAME = craige



F.A.P. RTE.	SECTION	COUNTY	TOTAL SHEETS	SHEET NO.
808	*	**	715	656
STA. 2268+00.00		TO STA. 2268+43.00		
FED. ROAD DIST. NO.		ILLINOIS FED. AID PROJECT		
* (205.57, 105)RS-2 ** CHAMPAIGN & DOUGLAS				

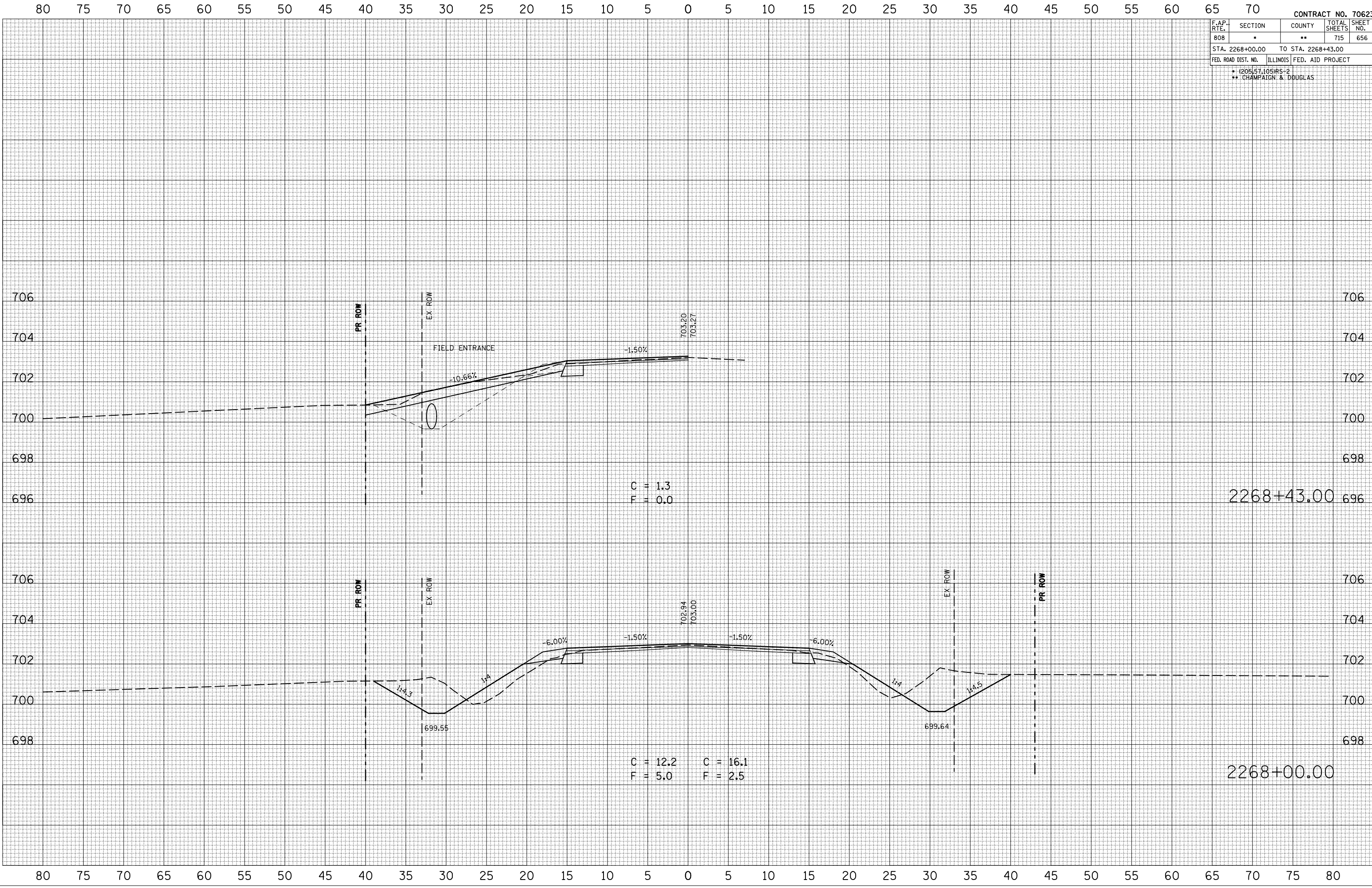
BY	DATE

NO.	AREAS CHECKED

BY	DATE

NO.	AREAS CHECKED

PLOT DATE = 8/1/2009
 FILE NAME = 1015582
 PLOT SCALE = 1/8" = 100'
 USER NAME = craigr

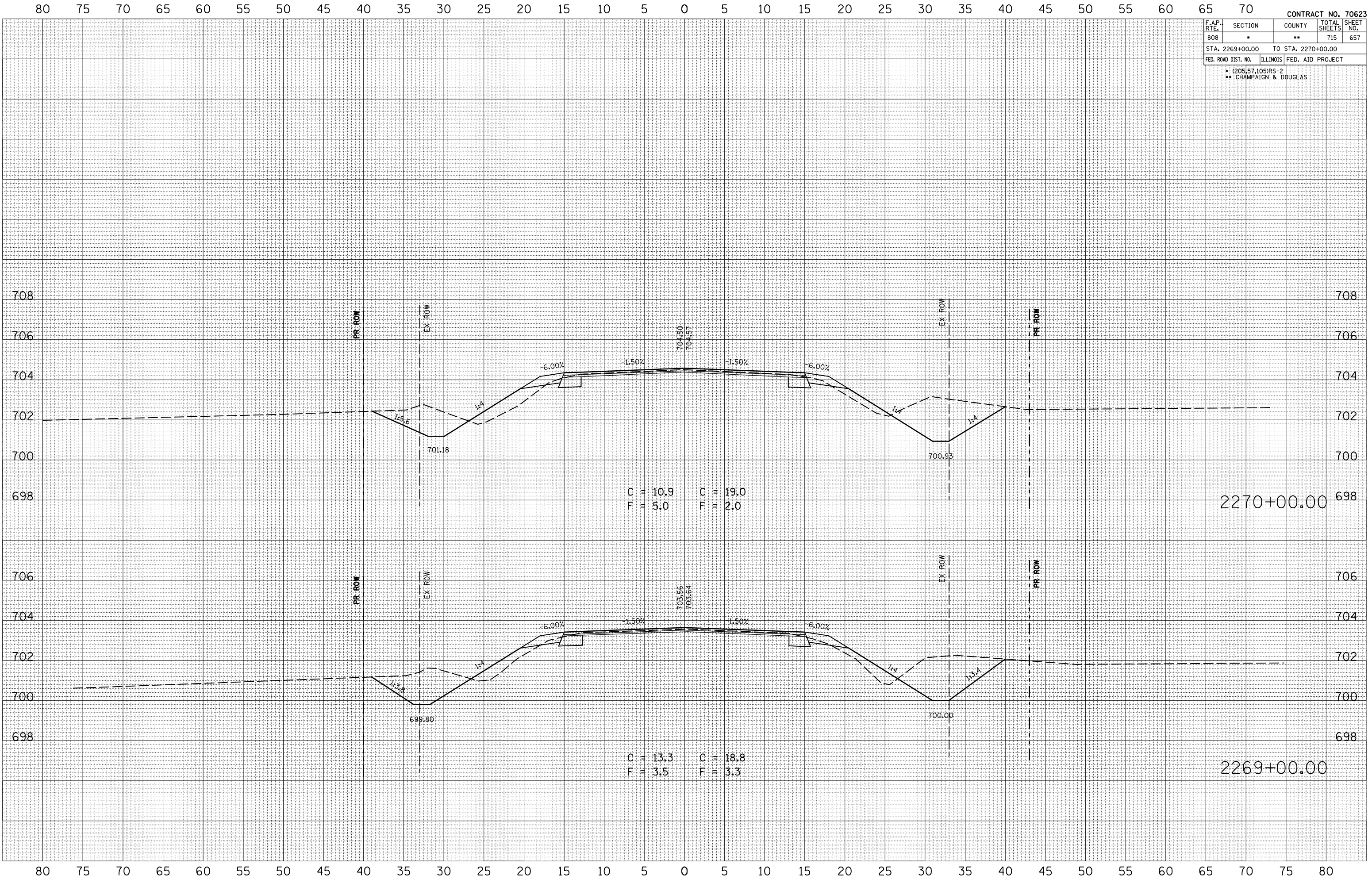


F.A.P. RTE.	SECTION	COUNTY	TOTAL SHEETS	SHEET NO.
808		**	715	657
STA. 2269+00.00 TO STA. 2270+00.00				
FED. ROAD DIST. NO. ILLINOIS FED. AID PROJECT				
* (205,57,105)RS-2				
** CHAMPAIGN & DOUGLAS				

BY	DATE

BY	DATE

PLOT DATE = 8/1/2009
FILE NAME = I:\PROJECTS\CHAMPAIGN\CHAMPAIGN\CHAMPAIGN.PLOT
PLOT SCALE = 1/8" = 10.0000'
USER NAME = craigr

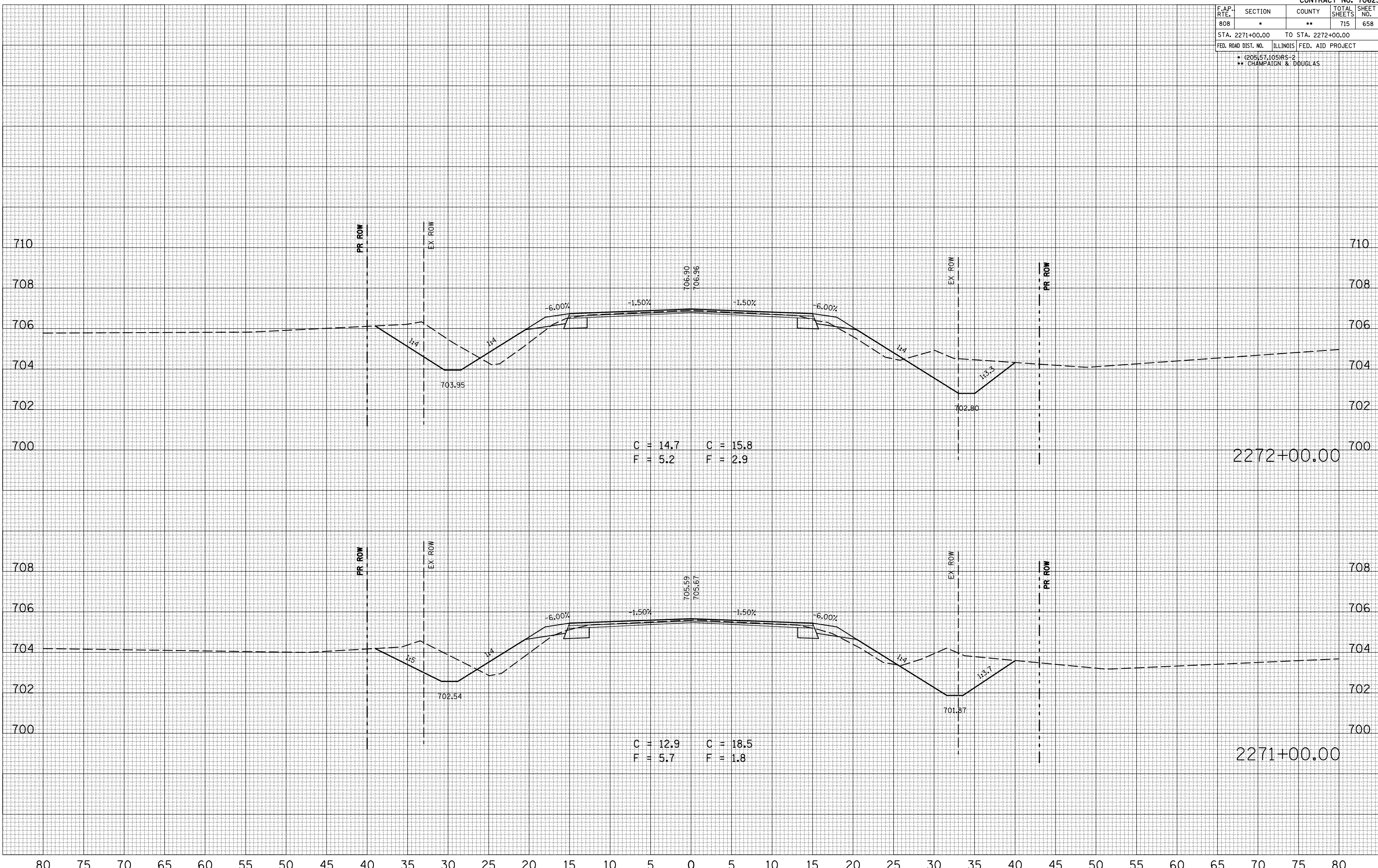


F.A.P. RTE.	SECTION	COUNTY	TOTAL SHEETS	SHEET NO.
808	.	..	715	658
STA. 2271+00.00		TO STA. 2272+00.00		
FED. ROAD DIST. NO.	ILLINOIS		FED. AID PROJECT	
* 205.57, 105.85-2				
** CHAMPAIGN & DOUGLAS				

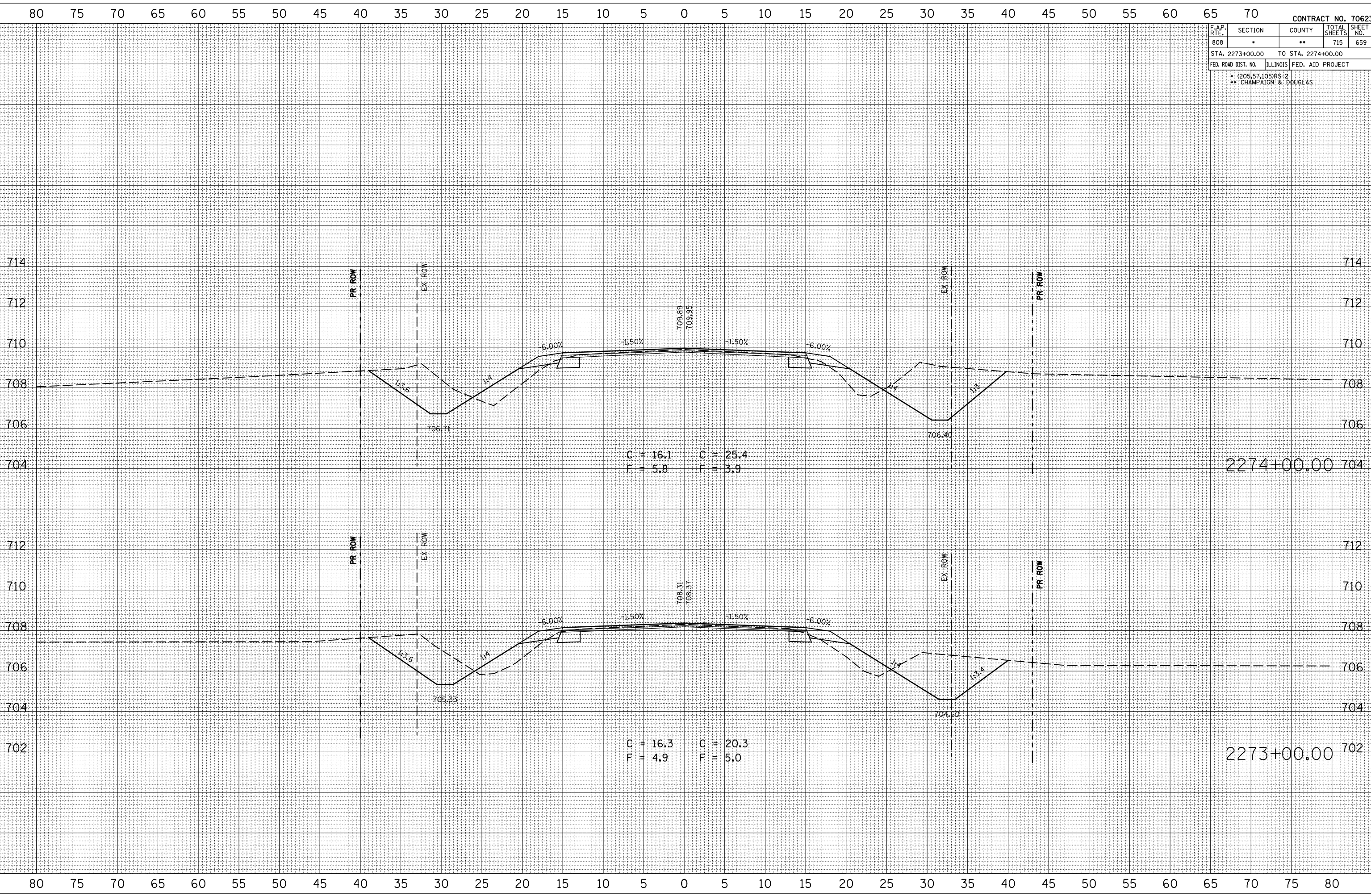
BY	DATE

BY	DATE

PLOT DATE = 8/1/2009
 FILE NAME = I:\10582\CHAMPAIGN\CHAMPAIGN\CHAMPAIGN.PLOT
 PLOT SCALE = 1/8"=1'-0" / IN.
 USER NAME = craige



CONTRACT NO. 70623				
F.A.P. RTE.	SECTION	COUNTY	TOTAL SHEETS	SHEET NO.
808	*	**	715	659
STA. 2273+00.00		TO STA. 2274+00.00		
FED. ROAD DIST. NO.	ILLINOIS	FED. AID PROJECT		
* (205.57, 105)RS-2 ** CHAMPAIGN & DOUGLAS				



C = 16.1 C = 25.4
 F = 5.8 F = 3.9

C = 16.3 C = 20.3
 F = 4.9 F = 5.0

BY _____ DATE _____
 SURVEYED _____
 PLOTTED _____
 NOTE BOOK _____
 AREAS CHECKED _____
 NO. _____

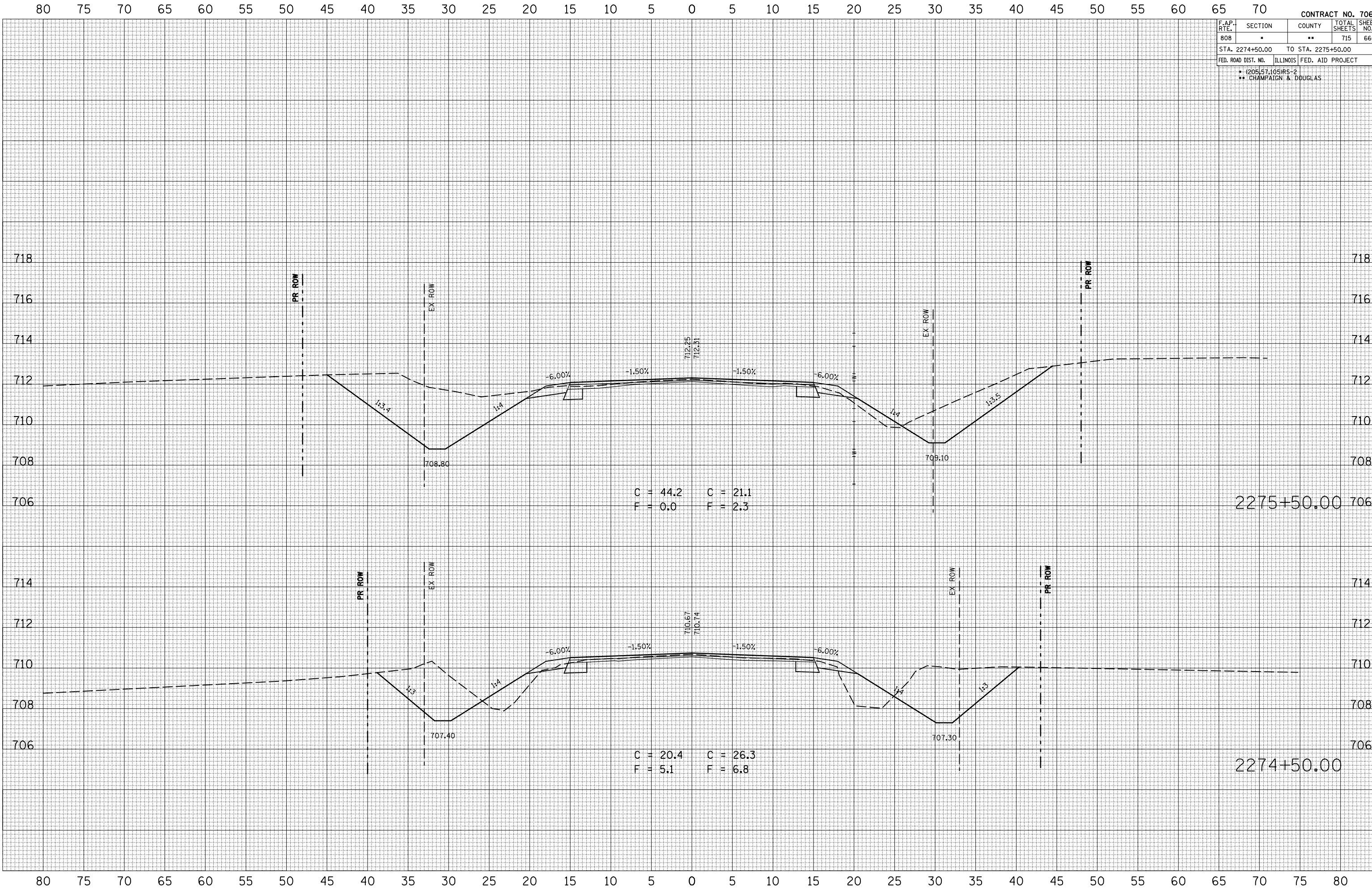
BY _____ DATE _____
 ORIGINAL SURVEY _____
 PLOTTED _____
 AREAS CHECKED _____
 NO. _____

PLOT DATE = 8/1/2009
 FILE NAME = 1015582
 PLOT SCALE = 1/4" = 100'
 USER NAME = craigr

F.A.P. RTE.	SECTION	COUNTY	TOTAL SHEETS	SHEET NO.
808	.	**	715	660
STA. 2274+50.00 TO STA. 2275+50.00				
FED. ROAD DIST. NO. ILLINOIS FED. AID PROJECT				

• (205.57.105)RS-2
** CHAMPAIGN & DOUGLAS

BY	DATE
FINAL SURVEY	SURVEYED
NOTE BOOK	PLOTTED
NO.	AREAS CHECKED



BY	DATE
ORIGINAL SURVEY	SURVEYED
NO.	PLOTTED
	AREAS CHECKED

PLOT DATE = 8/1/2009
FILE NAME = 10.15.08.02
PLOT SCALE = 1/8" = 1' IN.
USER NAME = craigc

F.A.P. RTE.	SECTION	COUNTY	TOTAL SHEETS	SHEET NO.
808	*	**	715	661
STA. 2275+90.00		TO STA. 2276+00.00		
FED. ROAD DIST. NO.	ILLINOIS	FED. AID PROJECT		
* (205) 57.105/RS-2 ** CHAMPAIGN & DOUGLAS				

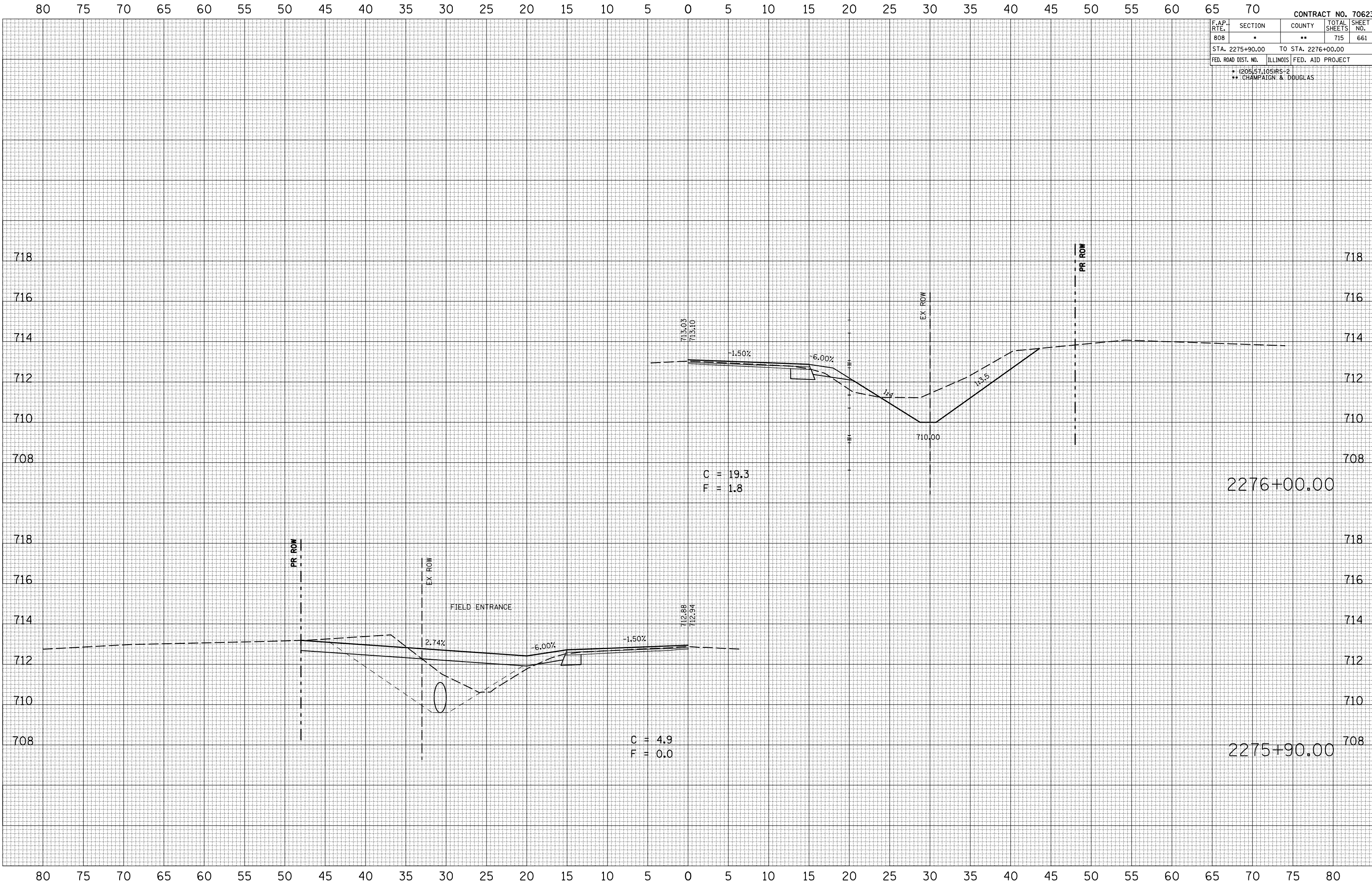
BY	DATE

FINAL SURVEY	SURVEYED	PLOTTED	DATE	NO.

BY	DATE

ORIGINAL SURVEY	SURVEYED	PLOTTED	DATE	NO.

PLOT DATE = 8/1/2009
 FILE NAME = I:\105682\CRAIGRE\81919\105682\70623.dwg
 PLOT SCALE = 1/8" = 10.0000'
 USER NAME = craigre



F.A.P. RTE.	SECTION	COUNTY	TOTAL SHEETS	SHEET NO.
808		**	715	662

STA. 2277+00.00 TO STA. 2278+00.00

FED. ROAD DIST. NO. ILLINOIS FED. AID PROJECT

• (205) 57-1051RS-2
** CHAMPAIGN & DOUGLAS

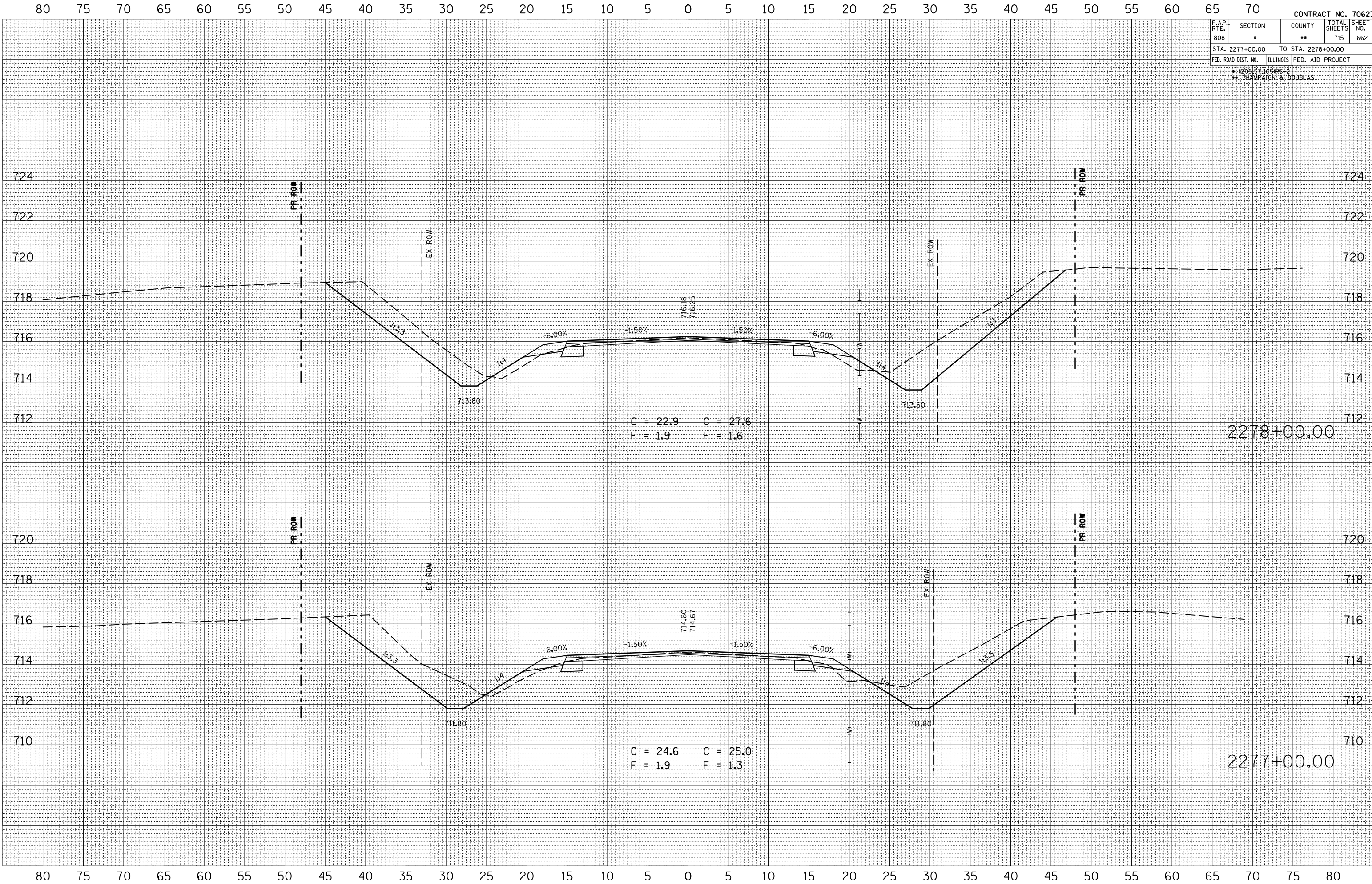
BY	DATE

NO.	AREAS CHECKED

BY	DATE

NO.	AREAS CHECKED

PLOT DATE = 8/1/2009
FILE NAME = I:\105682\CRAIGRE\8/1/09\2277E800.dwg
PLOT SCALE = 1/8" = 1' IN.
USER NAME = craigre

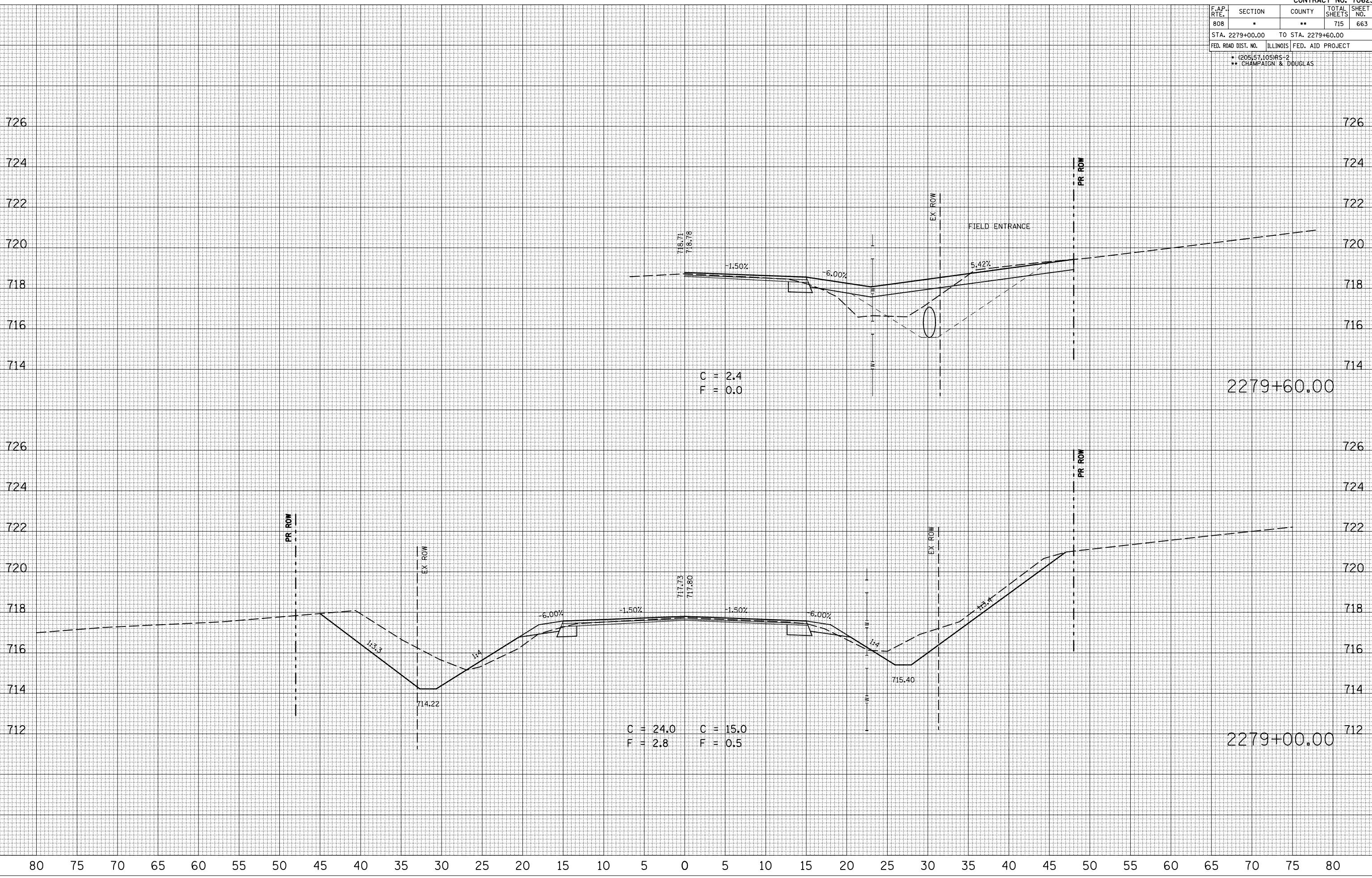


F.A.P. RTE.	SECTION	COUNTY	TOTAL SHEETS	SHEET NO.
808		**	715	663
STA. 2279+00.00		TO STA. 2279+60.00		
FED. ROAD DIST. NO.		ILLINOIS FED. AID PROJECT		
* (205)57.105)RS-2				
** CHAMPAIGN & DOUGLAS				

BY	DATE

BY	DATE

PLOT DATE = 8/1/2009
 FILE NAME = I:\105682\CHAMPAIGN\CHAMPAIGN\105682\2279+00.00\2279+00.00.plt
 PLOT SCALE = 1/8"=1'-0"
 USER NAME = craigr



F.A.P. RTE.	SECTION	COUNTY	TOTAL SHEETS	SHEET NO.
808	*	**	715	664

STA. 2280+00.00 TO STA. 2280+50.00
 FED. ROAD DIST. NO. ILLINOIS FED. AID PROJECT

• (205.57,105)RS-2
 ** CHAMPAIGN & DOUGLAS

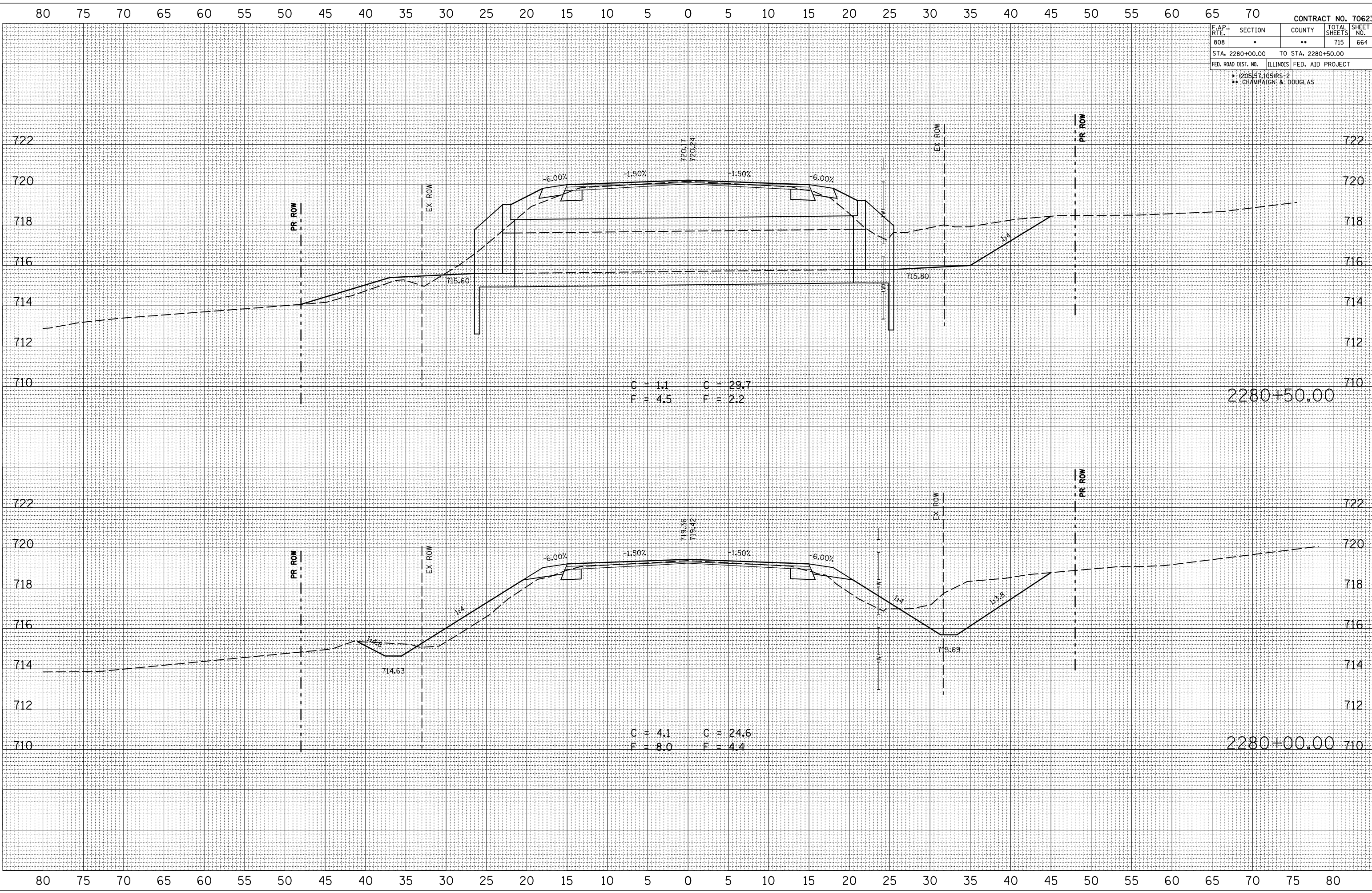
BY	DATE

FINAL SURVEY SURVEYED
 SURVEY PLOTTED
 NOTE BOOK NO. _____
 AREAS CHECKED _____

BY	DATE

ORIGINAL SURVEY SURVEYED
 SURVEY PLOTTED
 NOTE BOOK NO. _____
 AREAS CHECKED _____

PLOT DATE = 8/1/2009
 FILE NAME = 1015682
 PLOT SCALE = 1/8" = 10.000'
 USER NAME = craigr



C = 1.1 C = 29.7
 F = 4.5 F = 2.2

C = 4.1 C = 24.6
 F = 8.0 F = 4.4

F.A.P. RTE.	SECTION	COUNTY	TOTAL SHEETS	SHEET NO.
808	*	**	715	665
STA. 2281+00.00		TO STA. 2281+50.00		
FED. ROAD DIST. NO.		ILLINOIS FED. AID PROJECT		

• (205.57,105)RS-2
** CHAMPAIGN & DOUGLAS

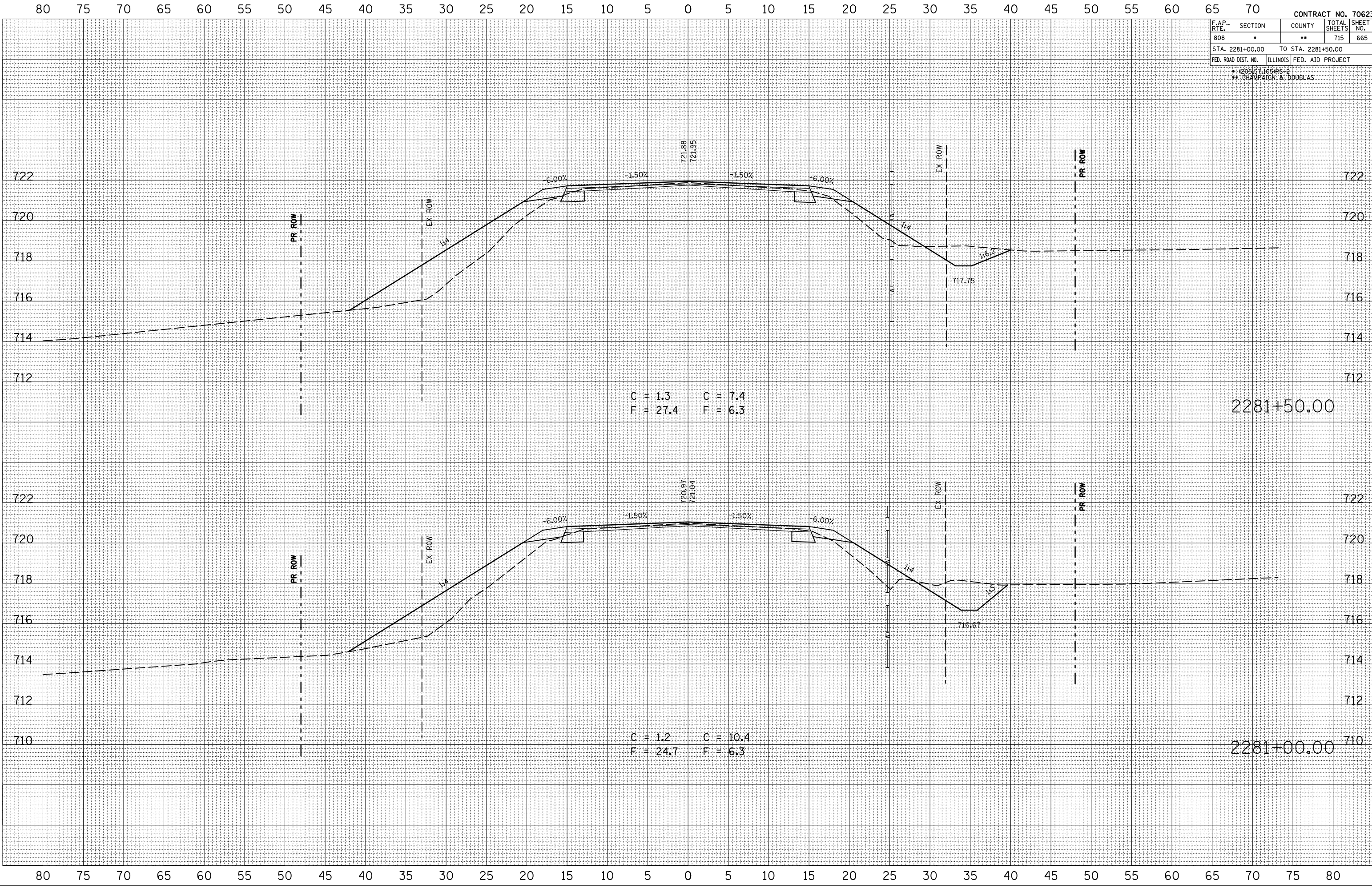
BY	DATE

NO.	AREAS CHECKED

BY	DATE

NO.	AREAS CHECKED

PLOT DATE = 8/1/2009
FILE NAME = I:\105682\105682.dwg
PLOT SCALE = 1/8" = 1'-0"
USER NAME = craigr



F.A.P. RTE.	SECTION	COUNTY	TOTAL SHEETS	SHEET NO.
808	.	..	715	666

STA. 2281+98.00 TO STA. 2282+00.00
 FED. ROAD DIST. NO. ILLINOIS FED. AID PROJECT

- * (205)S7.105)RS-2
- ** CHAMPAIGN & DOUGLAS

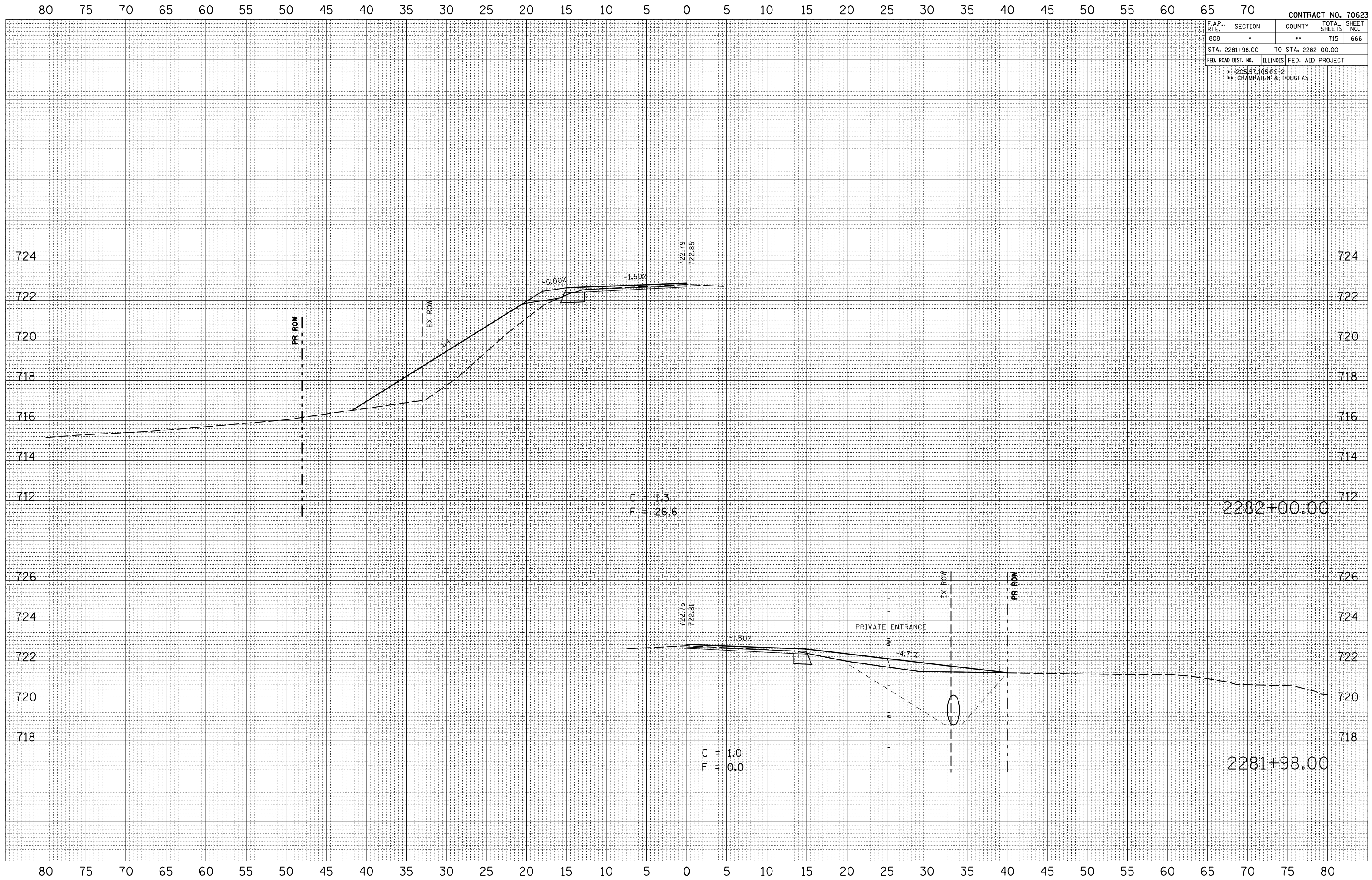
BY	DATE

NO.	AREAS CHECKED

BY	DATE

NO.	AREAS CHECKED

PLOT DATE = 8/4/2009
 FILE NAME = I:\105602\CRAIGRE\DOT\PAKIDOT\CRAIGRE\dot\8252823281\105602.p\n
 PLOT SCALE = 1/4" = 100'
 USER NAME = craigr



2282+00.00

2281+98.00

C = 1.3
F = 26.6

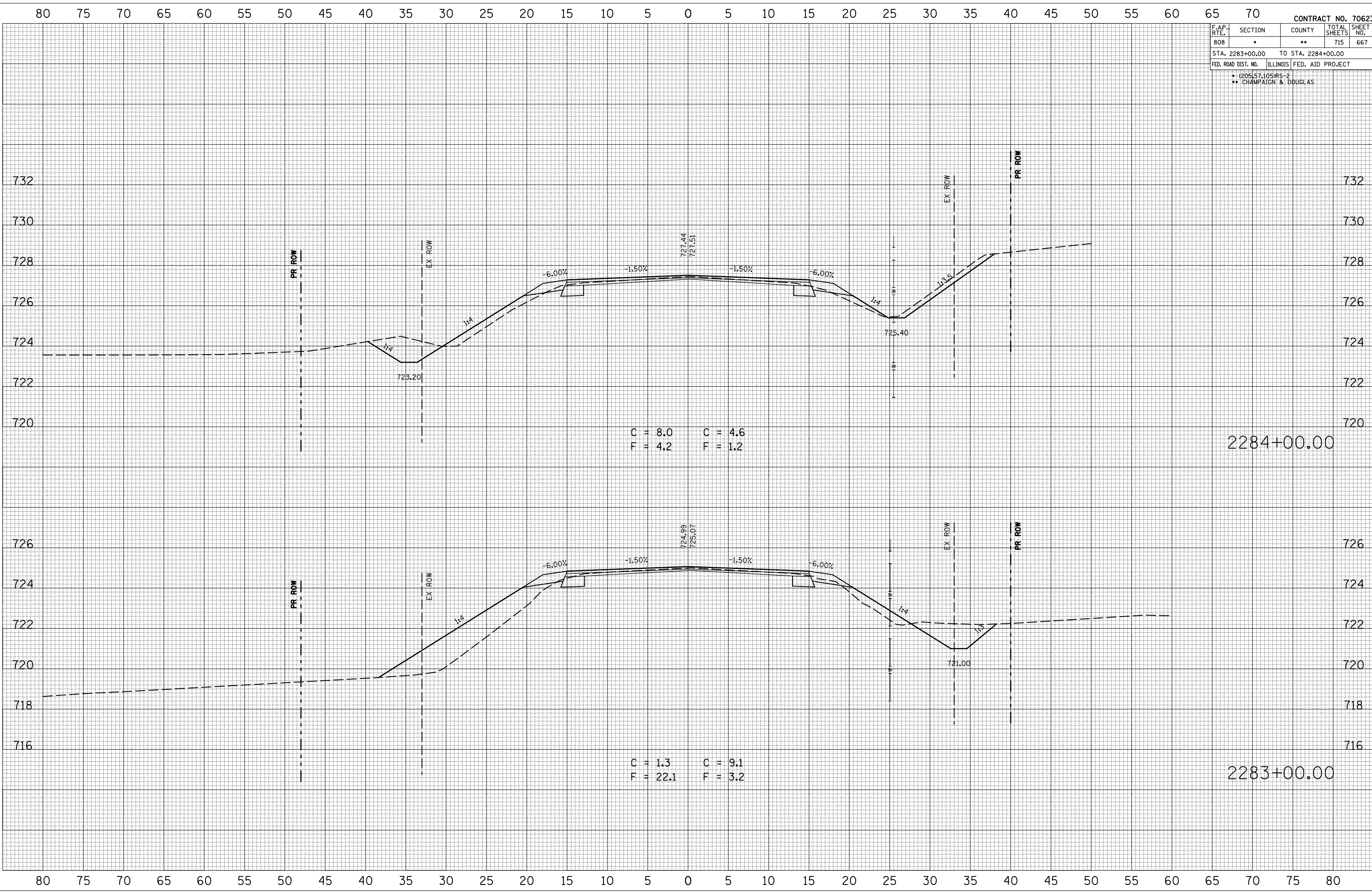
C = 1.0
F = 0.0

F.A.P. RTE.	SECTION	COUNTY	TOTAL SHEETS	SHEET NO.
808	*	**	715	667
STA. 2283+00.00		TO STA. 2284+00.00		
FED. ROAD DIST. NO.		ILLINOIS FED. AID PROJECT		
* (205,57,105)RS-2				
** CHAMPAIGN & DOUGLAS				

BY	DATE
FINAL SURVEY	SURVEYED
NOTE BOOK	PLOTTED
NO.	AREAS CHECKED

BY	DATE
ORIGINAL SURVEY	SURVEYED
NO.	PLOTTED
	AREAS CHECKED

PLOT DATE = 8/1/2009
 FILE NAME = I:\105682\CHAMPAIGN\PAV\DOT\CHAMPAIGN\105682\2283+00.00\70623.plt
 PLOT SCALE = 1"=100.00'
 USER NAME = craigr



C = 8.0 C = 4.6
 F = 4.2 F = 1.2

C = 1.3 C = 9.1
 F = 22.1 F = 3.2

2284+00.00

2283+00.00

F.A.P. RTE.	SECTION	COUNTY	TOTAL SHEETS	SHEET NO.
808	*	**	715	668
STA. 2285+00.00		TO STA. 2285+85.00		
FED. ROAD DIST. NO.		ILLINOIS	FED. AID PROJECT	
* (205.57, 105)RS-2 ** CHAMPAIGN & DOUGLAS				

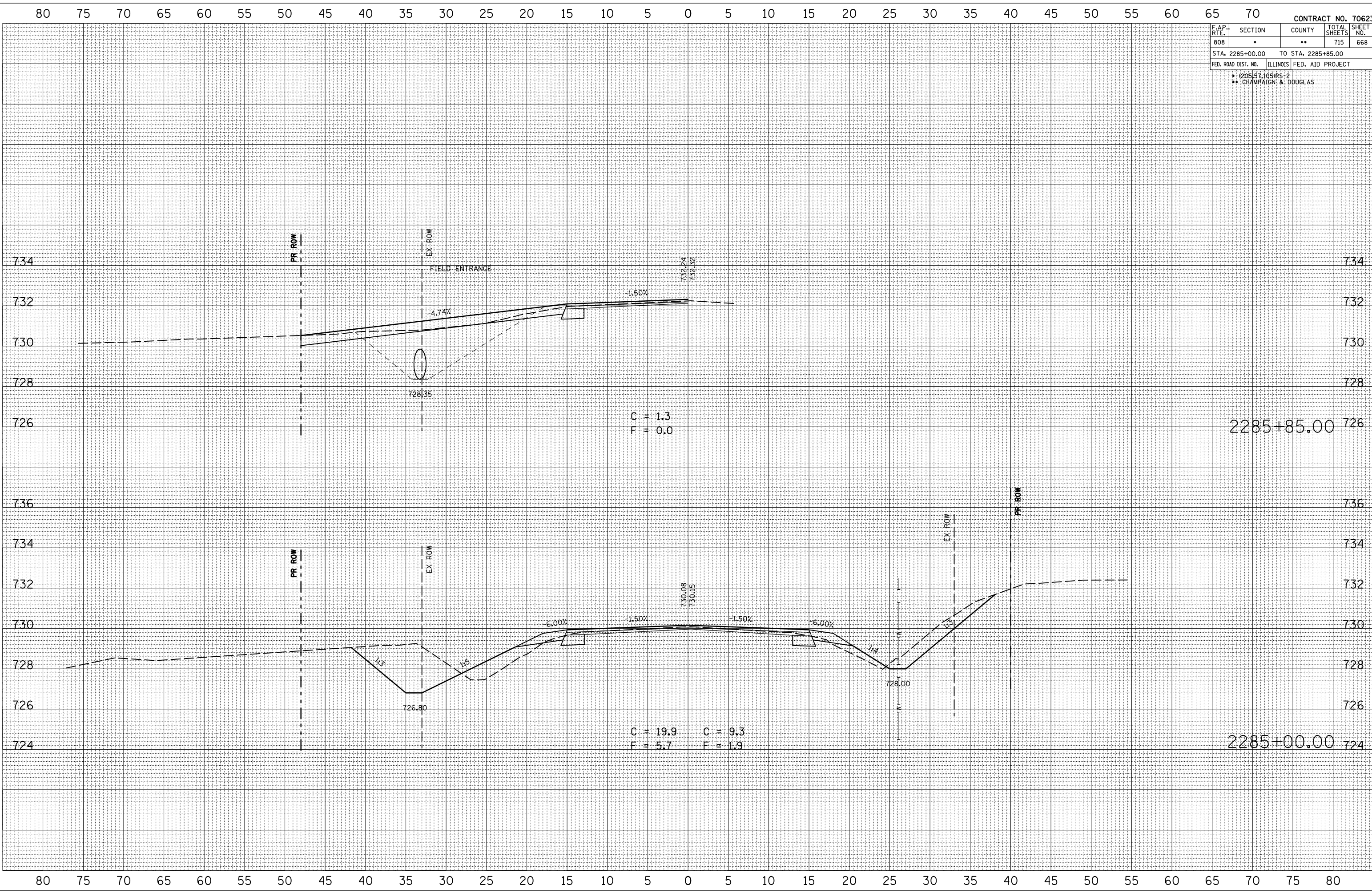
BY	DATE

NO.	FINAL SURVEY	SURVEYED	PLOTTED	DATE	AREAS CHECKED

BY	DATE

NO.	ORIGINAL SURVEY	SURVEYED	PLOTTED	DATE	AREAS CHECKED

PLOT DATE = 8/1/2009
 FILE NAME = 1015582
 PLOT SCALE = 1/8" = 100'
 USER NAME = craigr



F.A.P. RTE.	SECTION	COUNTY	TOTAL SHEETS	SHEET NO.
808	*	**	715	669
STA. 2286+00.00 TO STA. 2286+10.00				
FED. ROAD DIST. NO.			ILLINOIS	FED. AID PROJECT

• (205.57,105)RS-2
** CHAMPAIGN & DOUGLAS

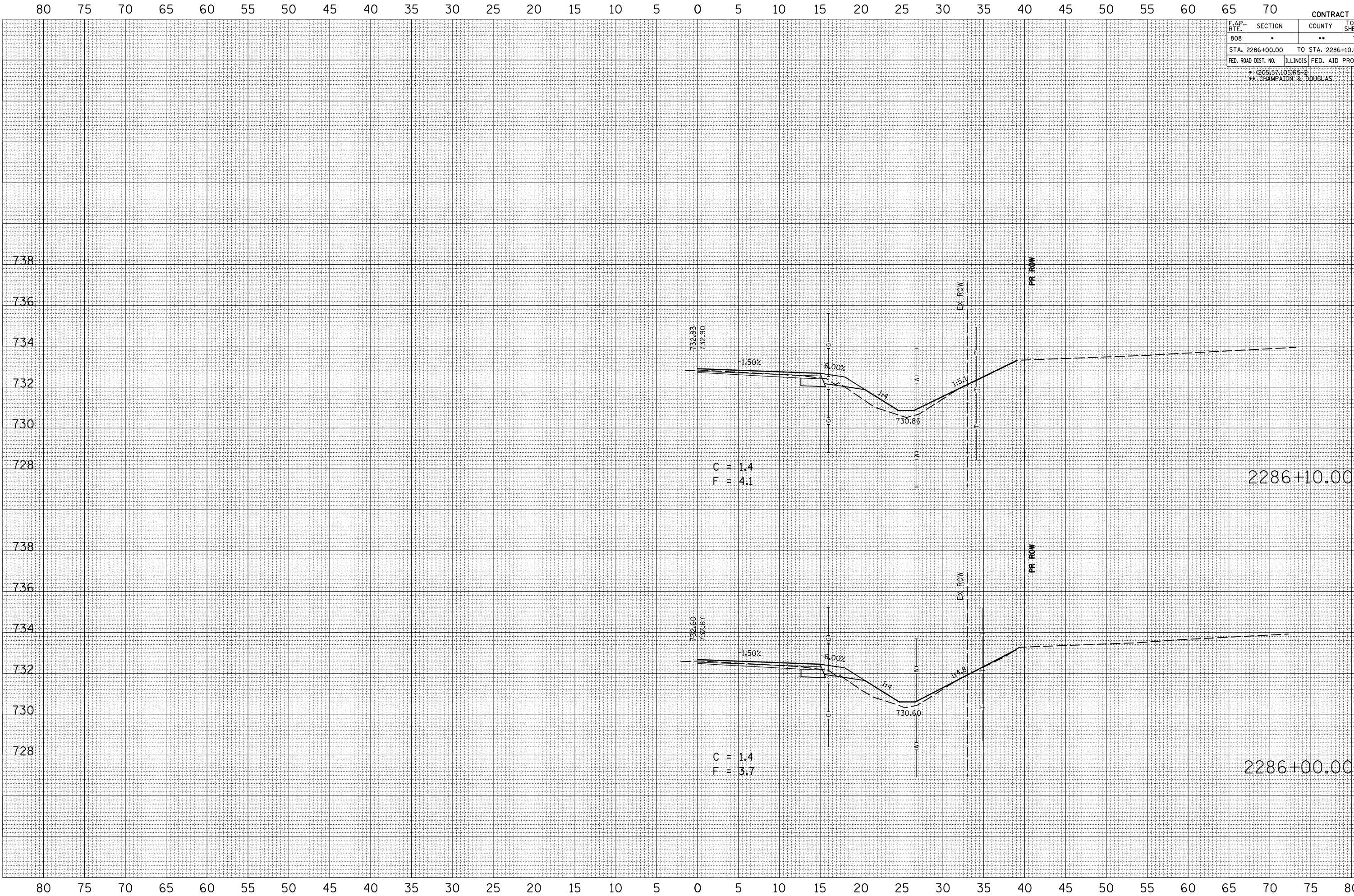
BY	DATE

FINAL SURVEY	SURVEYED	PLOTTED

BY	DATE

ORIGINAL SURVEY	SURVEYED	PLOTTED

PLOT DATE = 8/1/2009
FILE NAME = \\s:\projects\2009\808\808.dwg
PLOT SCALE = 1/8"=1'-0"
USER NAME = craigr

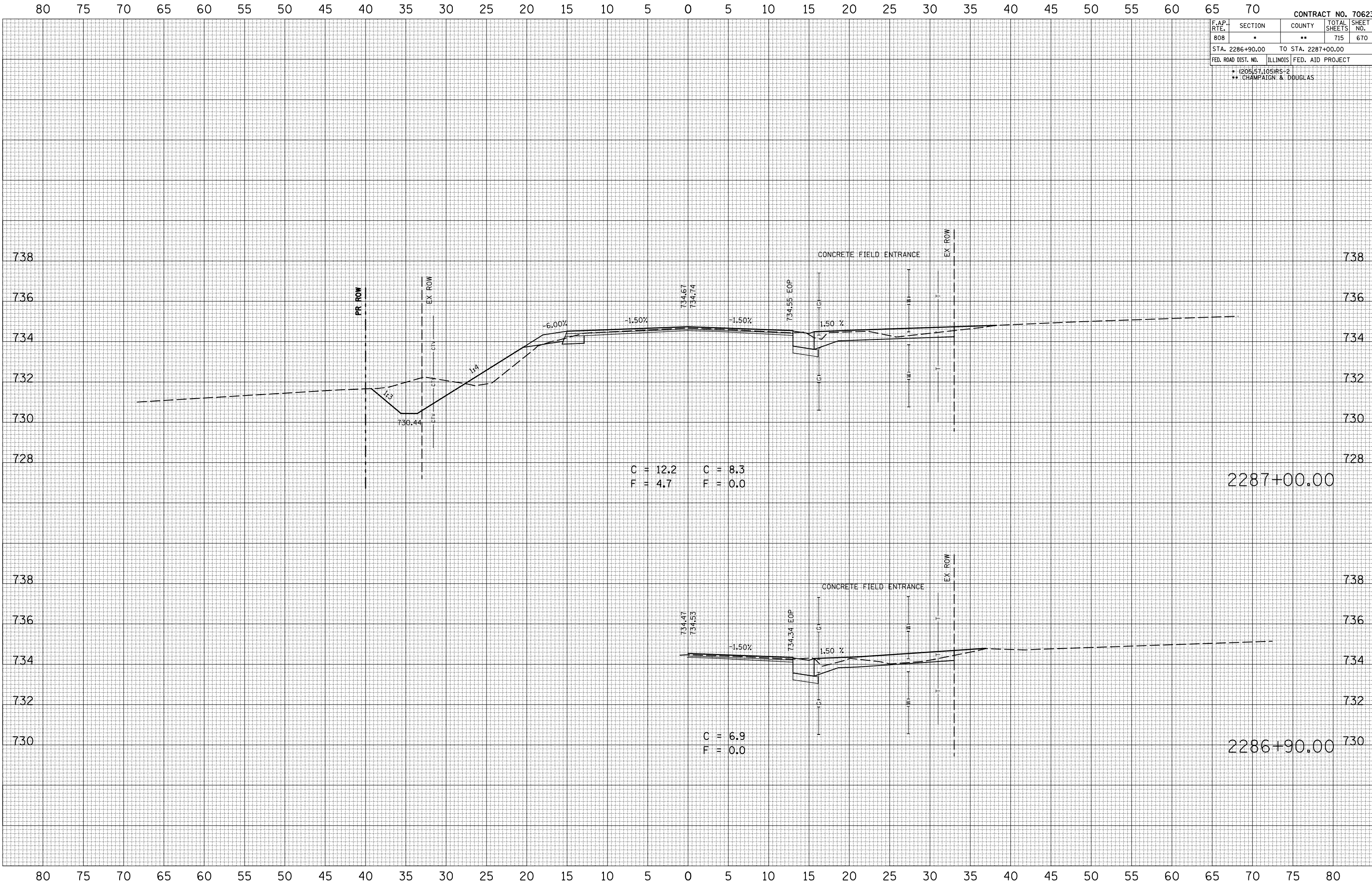


F.A.P. RTE.	SECTION	COUNTY	TOTAL SHEETS	SHEET NO.
808	*	**	715	670
STA. 2286+90.00		TO STA. 2287+00.00		
FED. ROAD DIST. NO.		ILLINOIS FED. AID PROJECT		
* (205,57,105)RS-2				
** CHAMPAIGN & DOUGLAS				

BY	DATE
SURVEYED	
PLOTTED	
NOTE BOOK	
AREAS CHECKED	
NO.	

BY	DATE
SURVEYED	
PLOTTED	
NOTE BOOK	
AREAS CHECKED	
NO.	

PLOT DATE = 8/1/2009
 FILE NAME = I:\105682\craig\craige.dwg
 PLOT SCALE = 1/8" = 1' IN.
 USER NAME = craige



F.A.P. RTE.	SECTION	COUNTY	TOTAL SHEETS	SHEET NO.
808	*	**	715	671
STA. 2287+20.00		TO STA. 2287+57.50		
FED. ROAD DIST. NO.	ILLINOIS	FED. AID PROJECT		
* (205.57.105)RS-2 ** CHAMPAIGN & DOUGLAS				

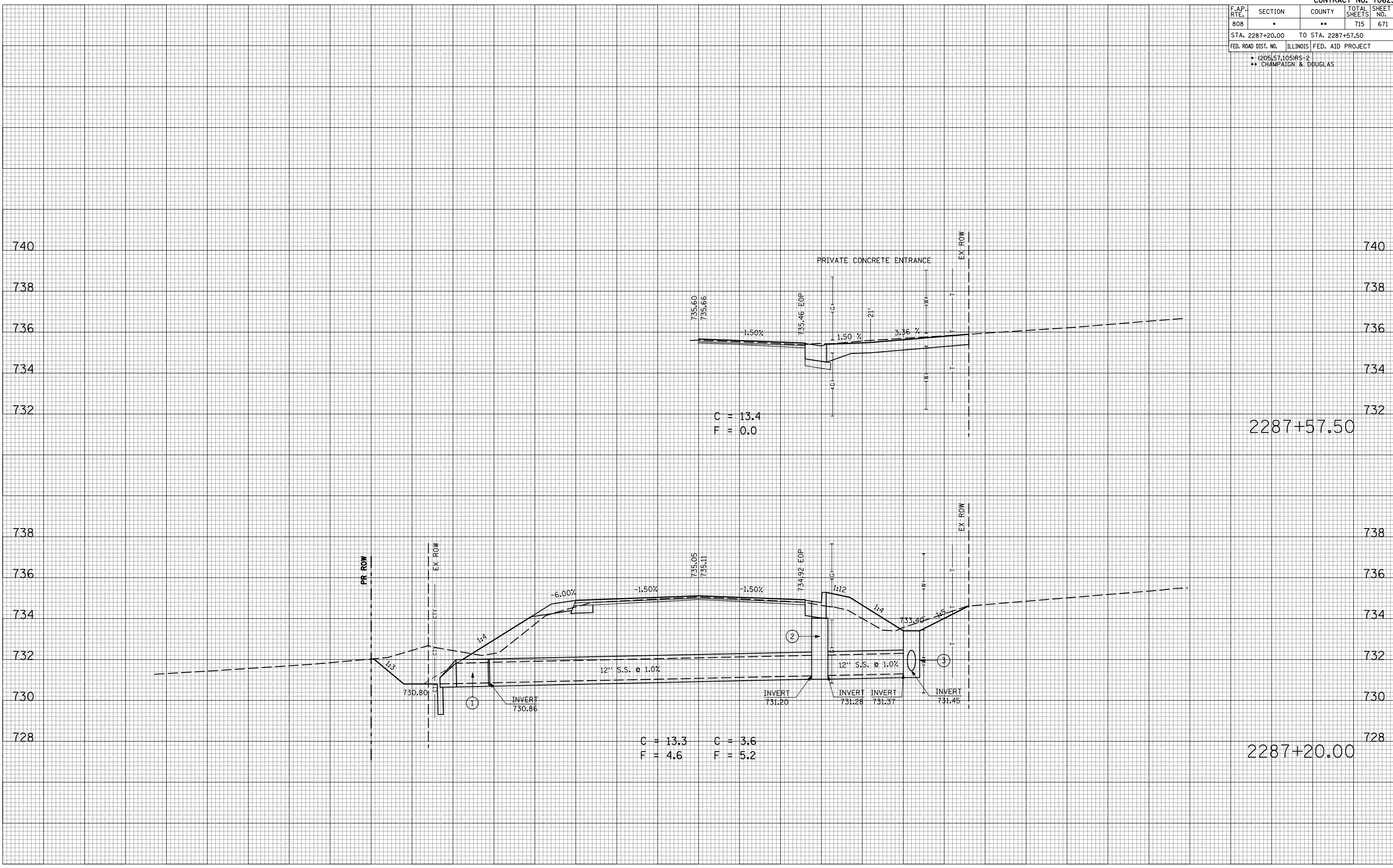
BY	DATE

NO.	DATE	BY	DESCRIPTION

BY	DATE

NO.	DATE	BY	DESCRIPTION

PLOT DATE = 8/1/2009
 FILE NAME = I:\16582\craigr\craigr.dwg
 PLOT SCALE = 1/8"=1'-0"
 USER NAME = craigr



F.A.P. RTE.	SECTION	COUNTY	TOTAL SHEETS	SHEET NO.
808	*	**	715	672
STA. 2288+00.00		TO STA. 2288+50.00		
FED. ROAD DIST. NO.		ILLINOIS FED. AID PROJECT		
* (205.57.105)RS-2 ** CHAMPAIGN & DOUGLAS				

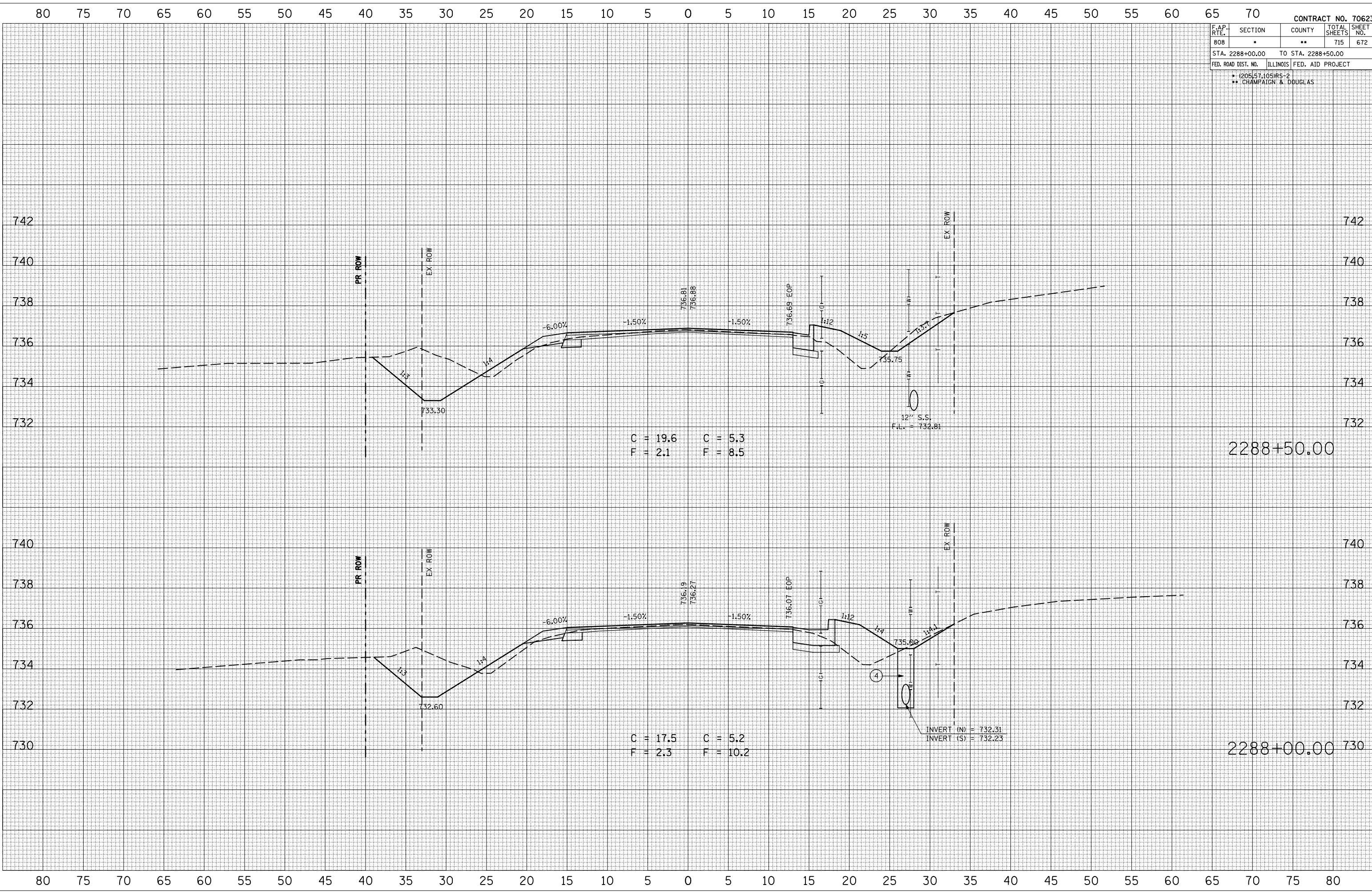
BY	DATE

NO.	AREAS CHECKED	NOTE BOOK	PLOTTED	SURVEYED	FINAL SURVEY

BY	DATE

NO.	AREAS CHECKED	PLOTTED	SURVEYED	ORIGINAL SURVEY

PLOT DATE = 8/1/2009
 FILE NAME = 1015582
 PLOT SCALE = 1/8" = 100'
 USER NAME = craigr



C = 19.6 C = 5.3
 F = 2.1 F = 8.5

C = 17.5 C = 5.2
 F = 2.3 F = 10.2

INVERT (N) = 732.31
 INVERT (S) = 732.23

2288+50.00

2288+00.00

F.A.P. RTE.	SECTION	COUNTY	TOTAL SHEETS	SHEET NO.
808	*	**	715	673
STA. 2288+79.50		TO STA. 2289+00.00		
FED. ROAD DIST. NO.		ILLINOIS	FED. AID PROJECT	
* (205.57, 105)RS-2 ** CHAMPAIGN & DOUGLAS				

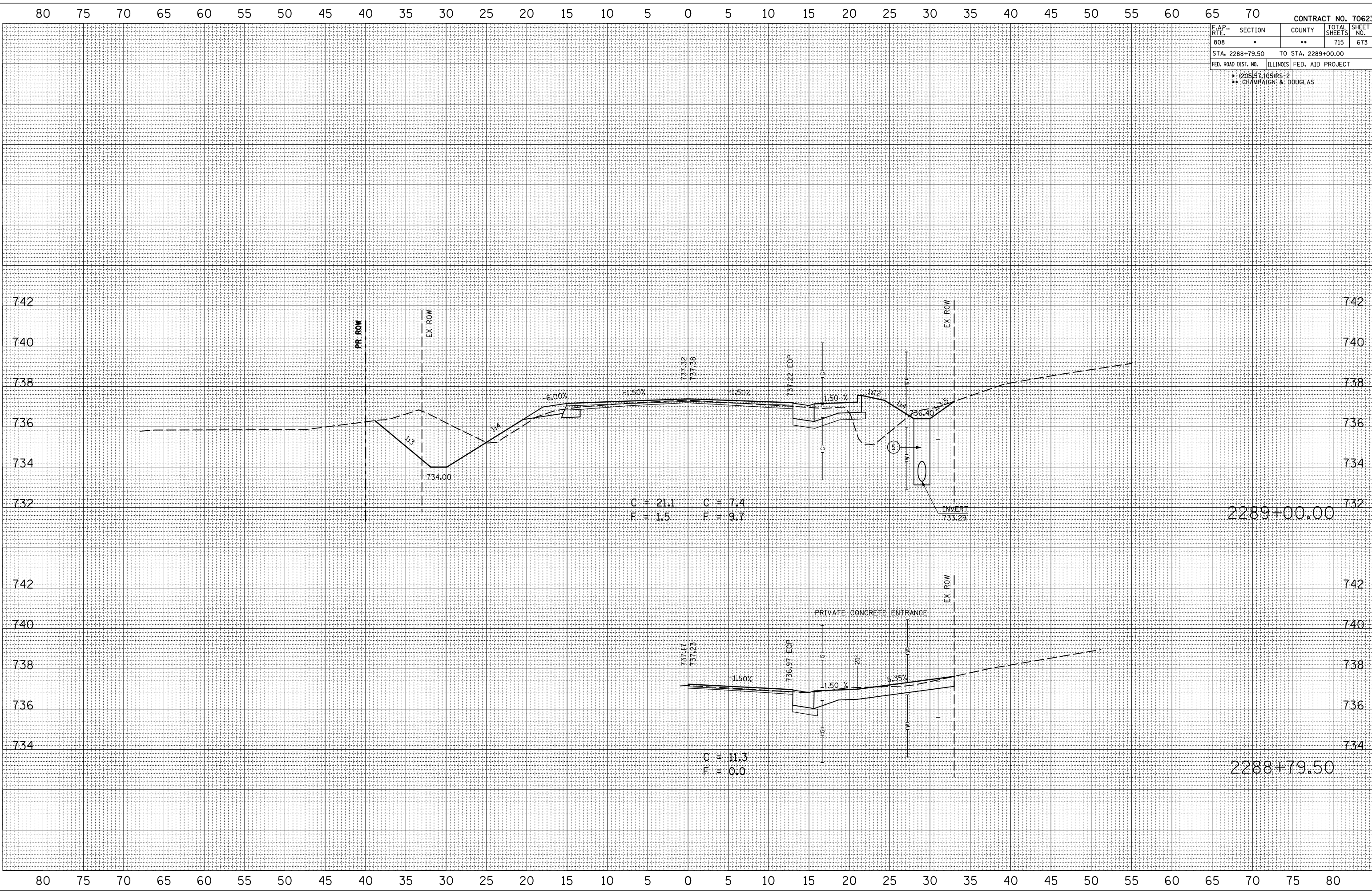
BY	DATE

NO.	AREAS CHECKED

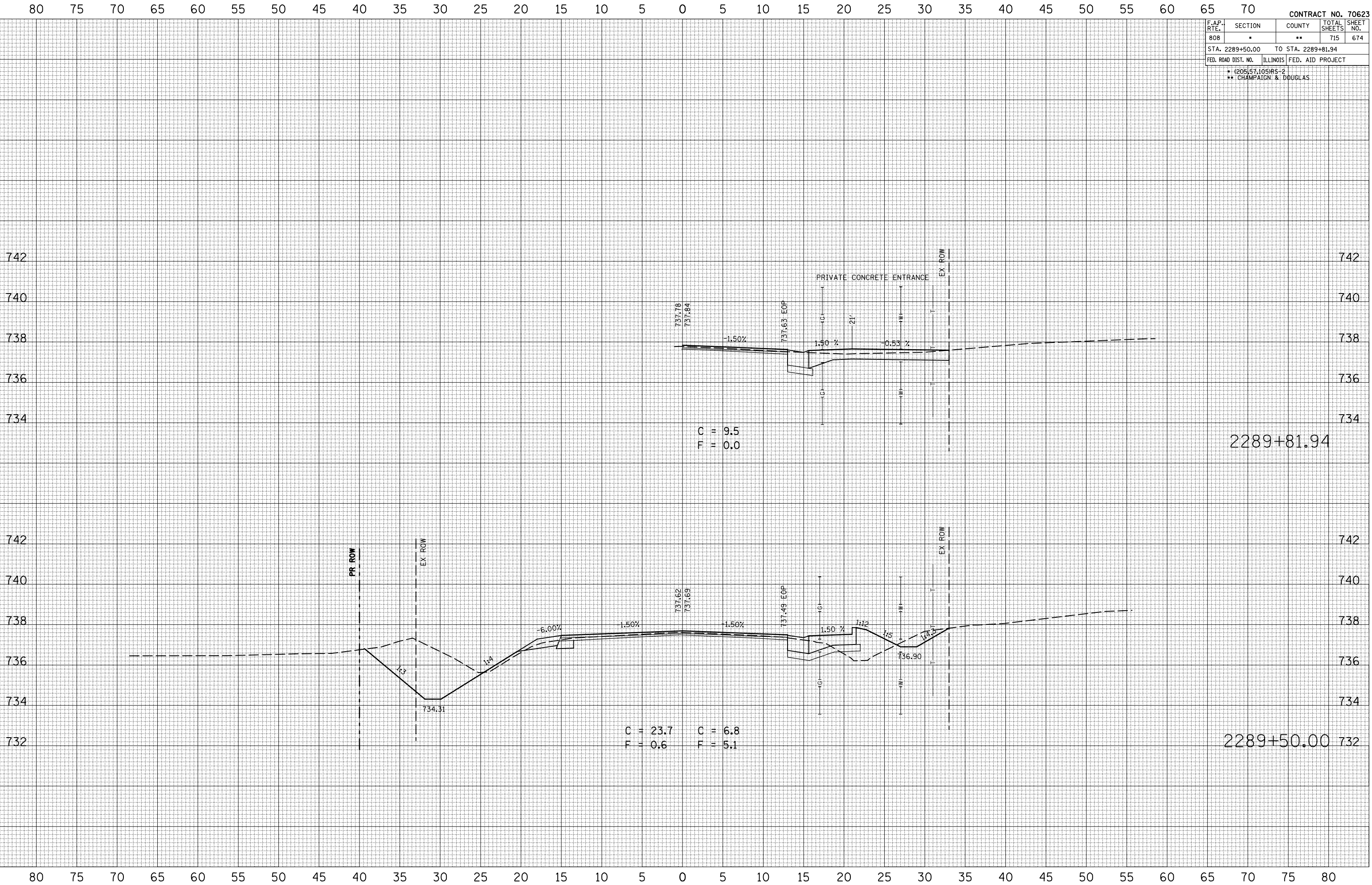
BY	DATE

NO.	AREAS CHECKED

PLOT DATE = 8/1/2009
 FILE NAME = I:\105682\craigr\craigr\2009\2288+79.50.dwg
 PLOT SCALE = 1/8"=1'-0"
 USER NAME = craigr



F.A.P. RTE.	SECTION	COUNTY	TOTAL SHEETS	SHEET NO.
808	*	**	715	674
STA. 2289+50.00		TO STA. 2289+81.94		
FED. ROAD DIST. NO.		ILLINOIS	FED. AID PROJECT	
<ul style="list-style-type: none"> * 205.57.105RS-2 ** CHAMPAIGN & DOUGLAS 				



BY	DATE
FINAL SURVEY	SURVEYED
NOTE BOOK	PLOTTED
NO.	AREAS CHECKED

BY	DATE
ORIGINAL SURVEY	SURVEYED
NO.	PLOTTED
	AREAS CHECKED

PLOT DATE = 8/1/2009
 FILE NAME = I:\105682\crain\p\2009\2289\2289+50.00.dwg
 PLOT SCALE = 1/8" = 1'-0"
 USER NAME = crain

F.A.P. RTE.	SECTION	COUNTY	TOTAL SHEETS	SHEET NO.
808	•	••	715	675

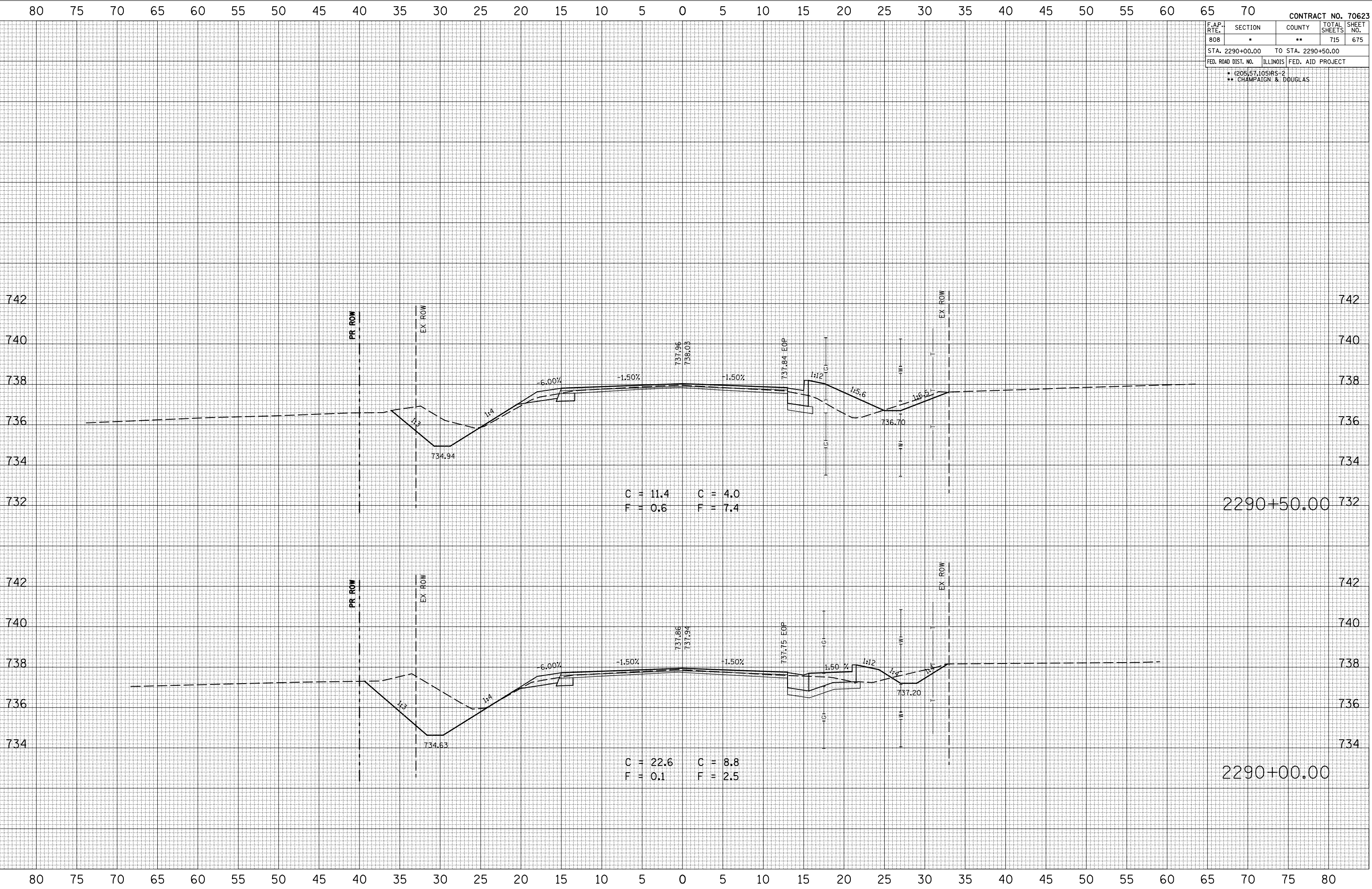
STA. 2290+00.00 TO STA. 2290+50.00
 FED. ROAD DIST. NO. ILLINOIS FED. AID PROJECT

• (205.57.105)RS-2
 ** CHAMPAIGN & DOUGLAS

BY	DATE
FINAL SURVEY	SURVEYED
NOTE BOOK	PLOTTED
NO.	AREAS CHECKED

BY	DATE
ORIGINAL SURVEY	SURVEYED
	PLOTTED
	AREAS CHECKED

PLOT DATE = 8/1/2009
 FILE NAME = 11015682.dwg
 PLOT SCALE = 1/8" = 1' / IN.
 USER NAME = craigr



C = 11.4 C = 4.0
 F = 0.6 F = 7.4

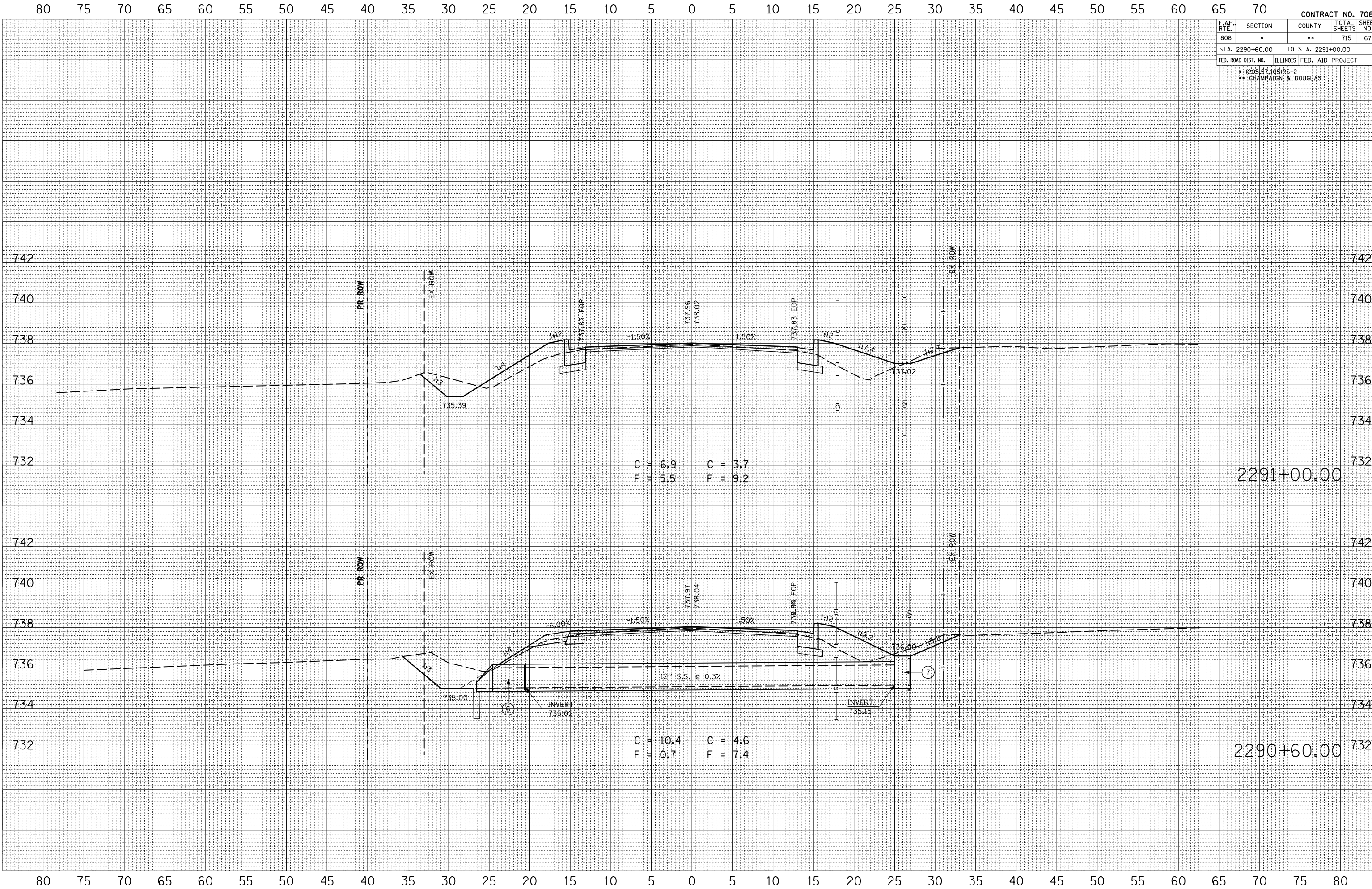
C = 22.6 C = 8.8
 F = 0.1 F = 2.5

F.A.P. RTE.	SECTION	COUNTY	TOTAL SHEETS	SHEET NO.
808	*	**	715	676
STA. 2290+60.00		TO STA. 2291+00.00		
FED. ROAD DIST. NO.		ILLINOIS FED. AID PROJECT		
* (205.57, 105)RS-2 ** CHAMPAIGN & DOUGLAS				

BY	DATE

BY	DATE

PLOT DATE = 8/5/2009
 FILE NAME = I:\PROJECTS\PAV\DOT\CRAIGRE\81994257823\2290+60.dgn
 PLOT SCALE = 1/8" = 10.0000' / IN.
 USER NAME = craigre



C = 6.9 C = 3.7
 F = 5.5 F = 9.2

C = 10.4 C = 4.6
 F = 0.7 F = 7.4

2291+00.00

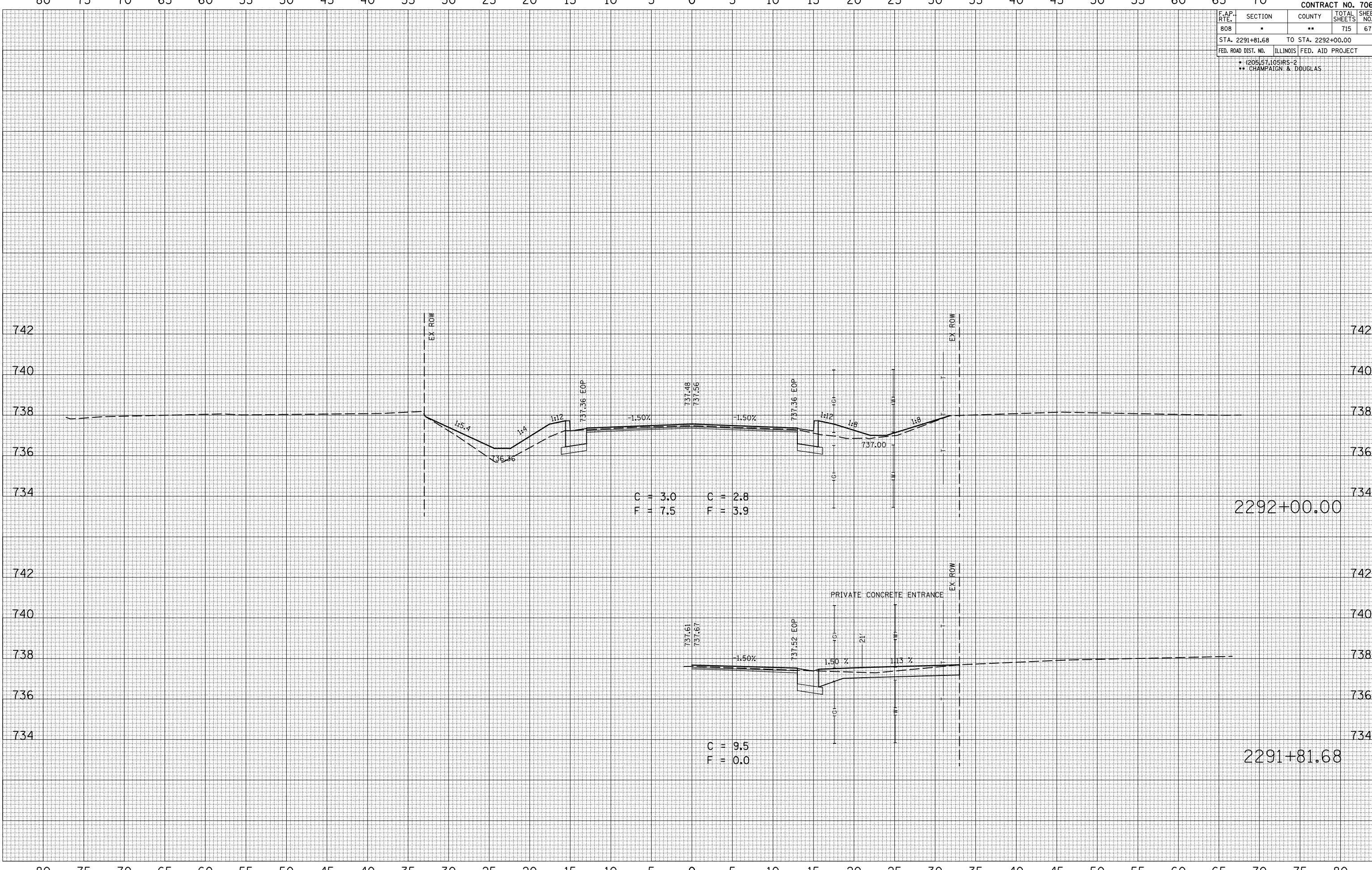
2290+60.00

F.A.P. RTE.	SECTION	COUNTY	TOTAL SHEETS	SHEET NO.
808	*	**	715	677
STA. 2291+81.68		TO STA. 2292+00.00		
FED. ROAD DIST. NO.	ILLINOIS	FED. AID PROJECT		
* (205,57,105)RS-2 ** CHAMPAIGN & DOUGLAS				

BY	DATE

BY	DATE

PLOT DATE = 8/1/2009
 FILE NAME = 1015582
 PLOT SCALE = 1/8" = 1' IN.
 USER NAME = craigr



F.A.P. RTE.	SECTION	COUNTY	TOTAL SHEETS	SHEET NO.
808	.	**	715	678
STA. 2292+25.00		TO STA. 2292+55.00		
FED. ROAD DIST. NO.	ILLINOIS	FED. AID PROJECT		
* (205.57.105)RS-2 ** CHAMPAIGN & DOUGLAS				

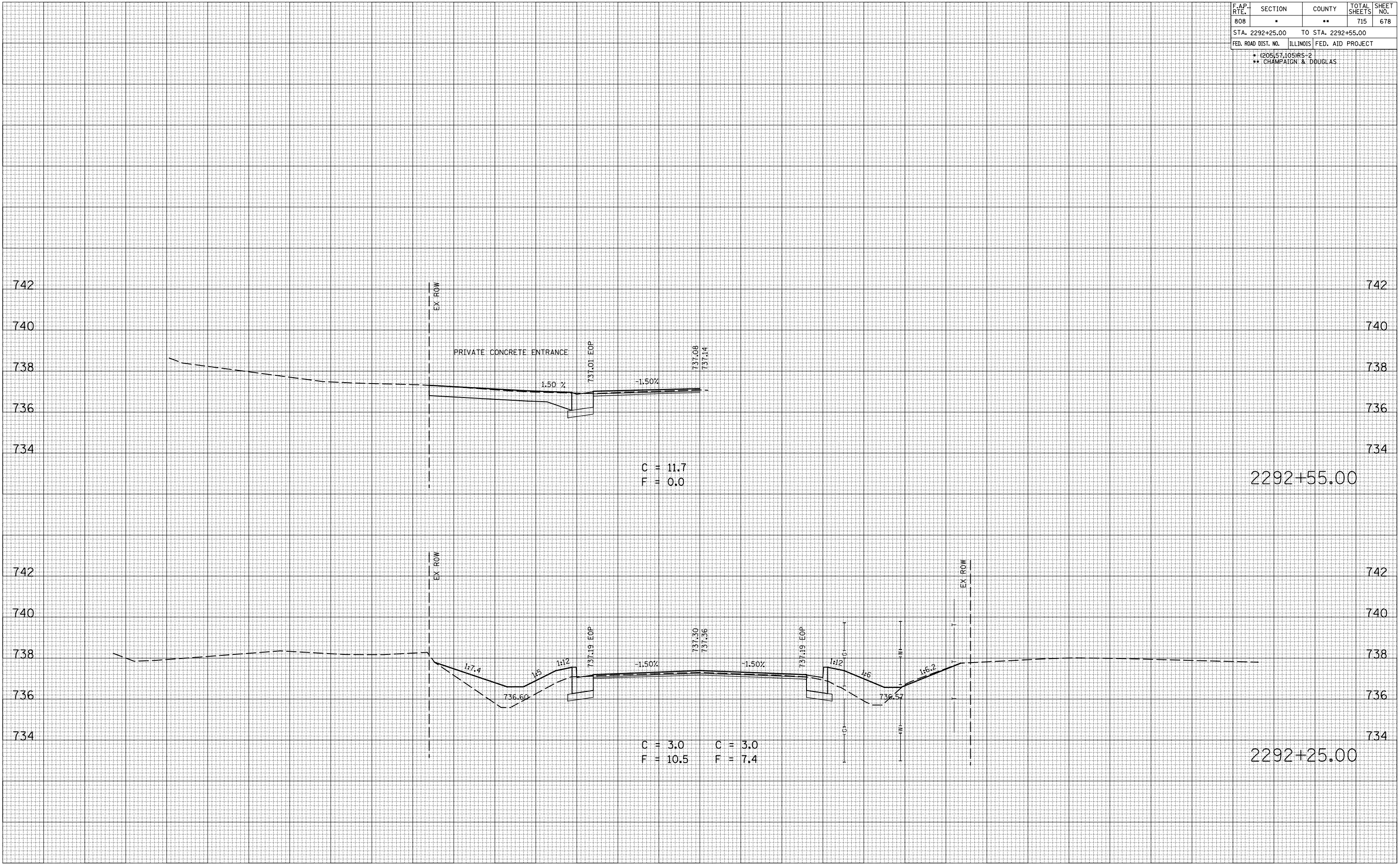
BY	DATE

NO.	AREAS CHECKED

BY	DATE

NO.	AREAS CHECKED

PLOT DATE = 8/1/2009
 FILE NAME = I:\105682\craigr\craigr\2009\2292+25\2292+25.dwg
 PLOT SCALE = 1/8"=1'-0"
 USER NAME = craigr



F.A.P. RTE.	SECTION	COUNTY	TOTAL SHEETS	SHEET NO.
808	*	**	715	679
STA. 2293+00.00		TO STA. 2293+50.00		
FED. ROAD DIST. NO.		ILLINOIS	FED. AID PROJECT	
* (205)57.105RS-2 ** CHAMPAIGN & DOUGLAS				

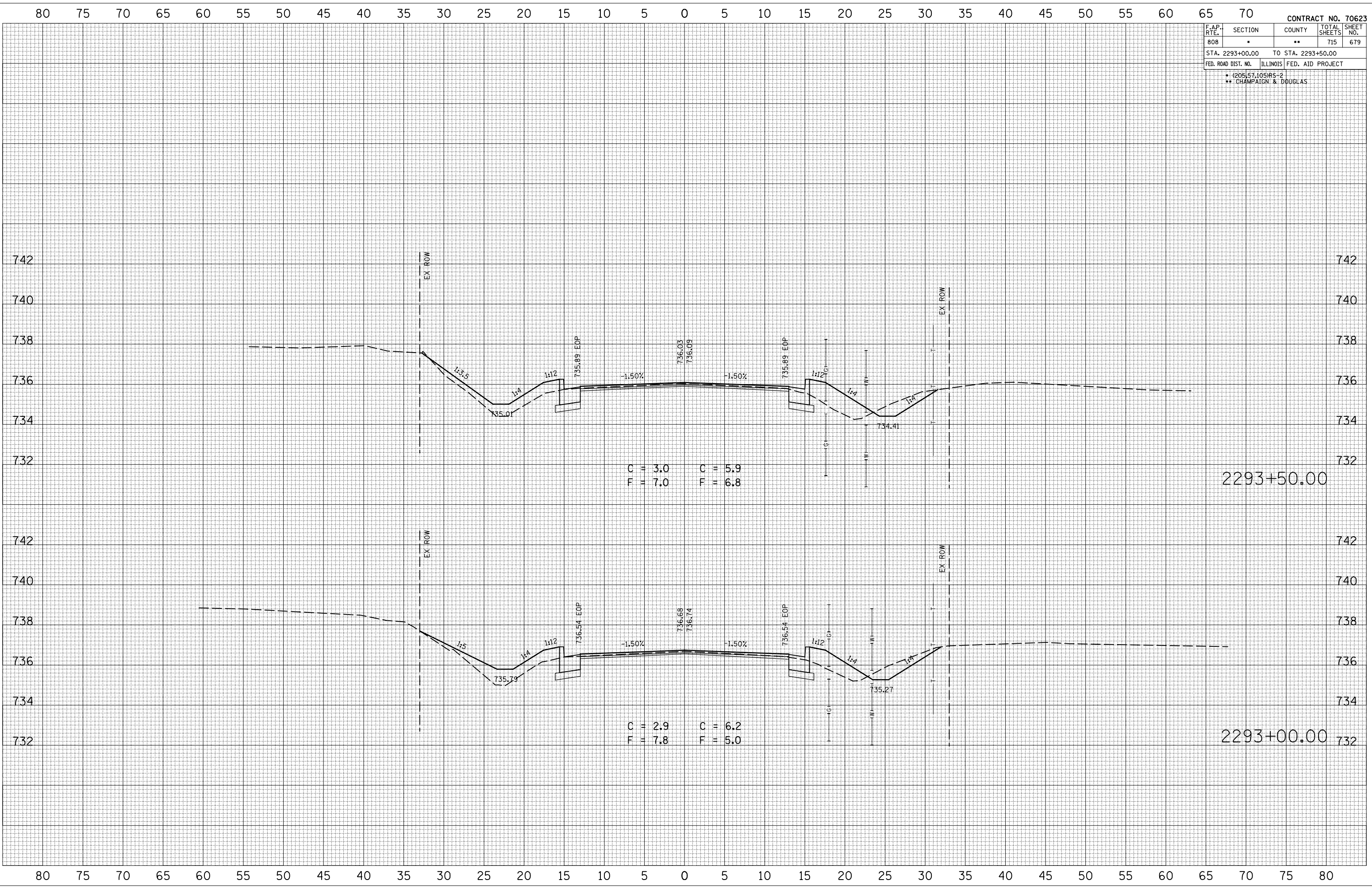
BY	DATE

FINAL SURVEY	SURVEYED	PLOTTED	NO. BOOK	NO.

BY	DATE

ORIGINAL SURVEY	SURVEYED	PLOTTED	NO. BOOK	NO.

PLOT DATE = 8/1/2009
FILE NAME = I:\105682\craig\as\orig\808\105682\105682.dwg
PLOT SCALE = 1/4" = 10.00'
USER NAME = craig



F.A.P. RTE.	SECTION	COUNTY	TOTAL SHEETS	SHEET NO.
808	*	**	715	680
STA. 2294+00.00		TO STA. 2294+50.00		
FED. ROAD DIST. NO.		ILLINOIS FED. AID PROJECT		
* (205) 57.105(RS-2) ** CHAMPAIGN & DOUGLAS				

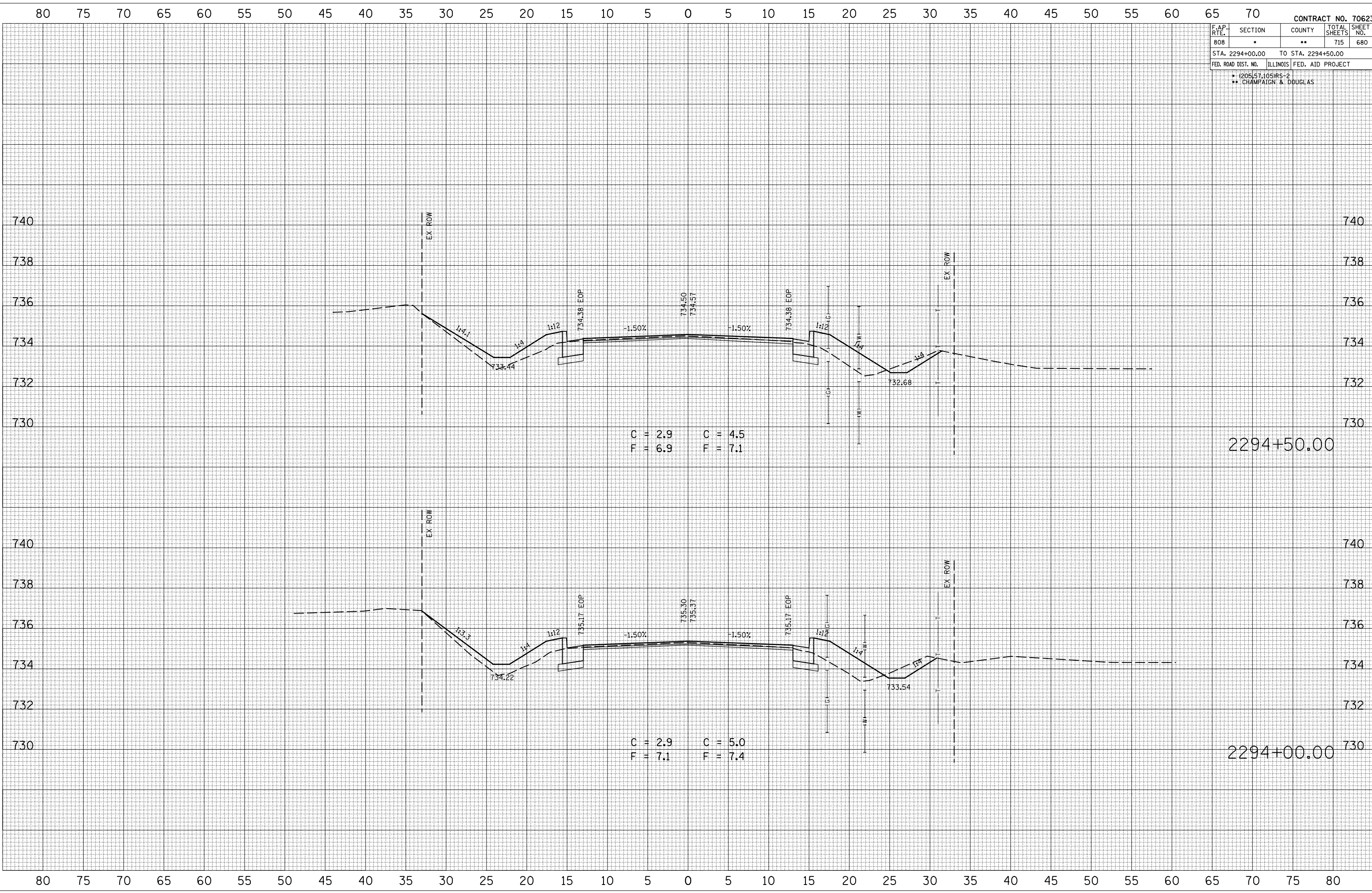
BY	DATE

NO.	DATE	BY	DESCRIPTION

BY	DATE

NO.	DATE	BY	DESCRIPTION

PLOT DATE = 8/1/2009
 FILE NAME = I:\105682\craigr\craigr\2294\2294+00.00\2294+00.00.dgn
 PLOT SCALE = 1/8"=1'-0"
 USER NAME = craigr



C = 2.9 C = 4.5
 F = 6.9 F = 7.1

C = 2.9 C = 5.0
 F = 7.1 F = 7.4

2294+50.00

2294+00.00

F.A.P. RTE.	SECTION	COUNTY	TOTAL SHEETS	SHEET NO.
808	.	..	715	681
STA. 2294+66.00		TO STA. 2294+96.20		
FED. ROAD DIST. NO.		ILLINOIS FED. AID PROJECT		

• (205.57, 105)RS-2
 ** CHAMPAIGN & DOUGLAS

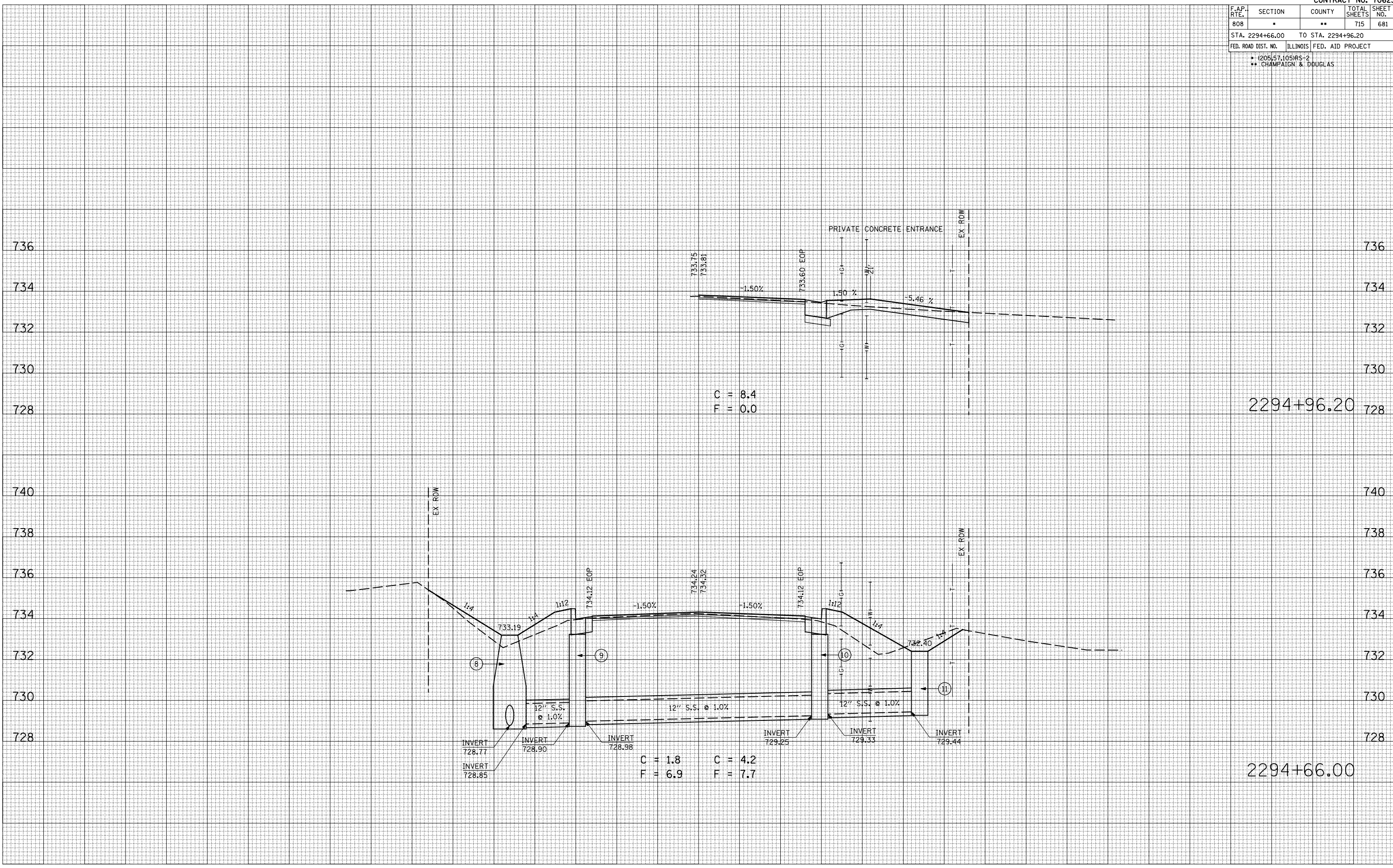
BY	DATE

NO.	AREAS CHECKED

BY	DATE

NO.	AREAS CHECKED

PLOT DATE = 8/1/2009
 FILE NAME = I:\105682\105682.dwg
 PLOT SCALE = 1/8" = 1' IN.
 USER NAME = craigr



F.A.P. RTE.	SECTION	COUNTY	TOTAL SHEETS	SHEET NO.
808	*	**	715	682
STA. 2295+00.00		TO STA. 2295+38.60		
FED. ROAD DIST. NO.	ILLINOIS	FED. AID PROJECT		
* (205,57,105)RS-2				
** CHAMPAIGN & DOUGLAS				

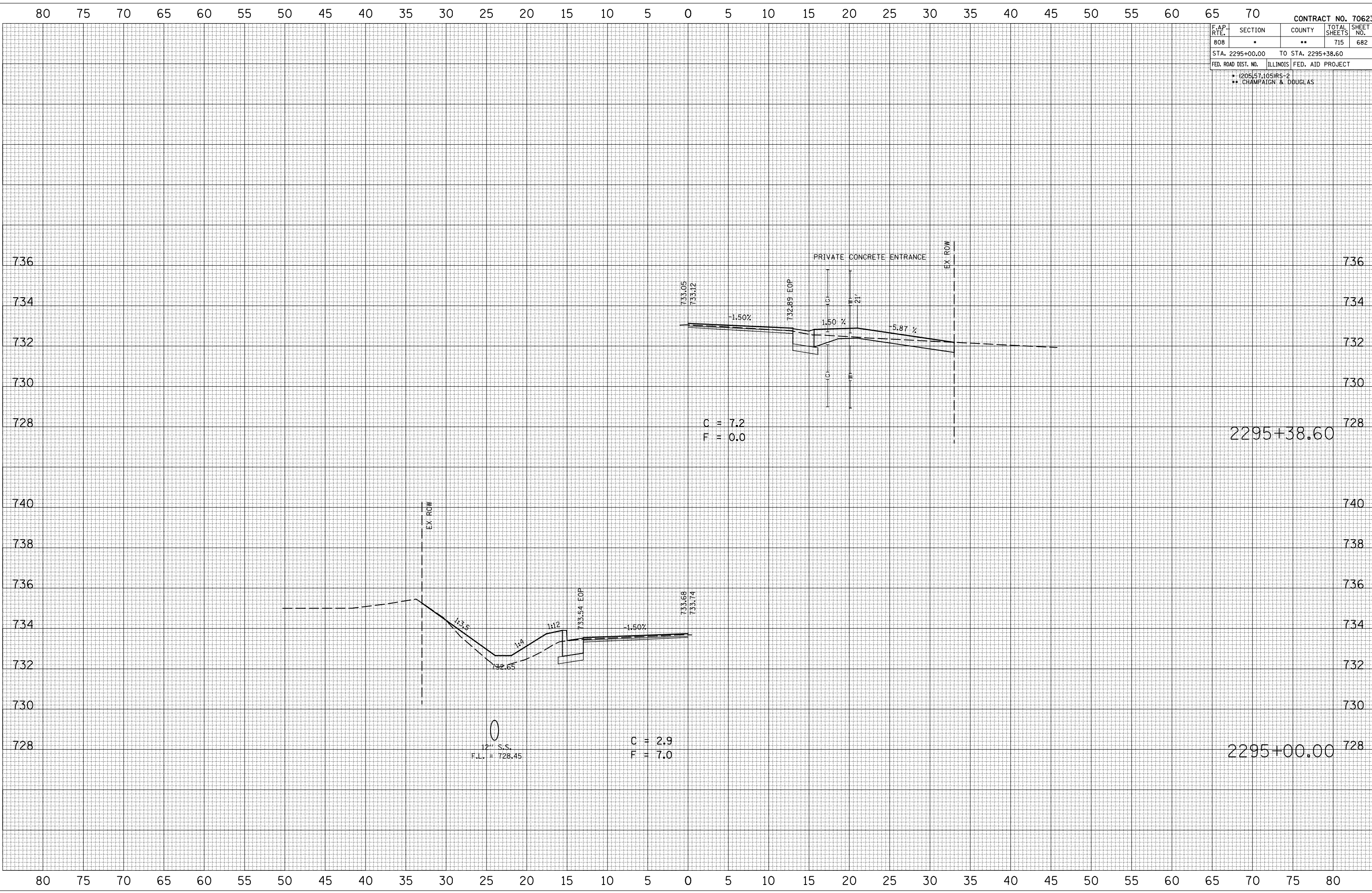
BY	DATE

NO.	FINAL SURVEY	SURVEYED	PLOTTED	DATE	AREAS CHECKED

BY	DATE

NO.	ORIGINAL SURVEY	SURVEYED	PLOTTED	DATE	AREAS CHECKED

PLOT DATE = 8/1/2009
 FILE NAME = I:\105682\craigr\craigr\2295+00.00\2295+00.00.dwg
 PLOT SCALE = 1/8"=1'-0"
 USER NAME = craigr



2295+38.60

2295+00.00

12" S.S.
 F.L. = 728.45

C = 2.9
 F = 7.0

C = 7.2
 F = 0.0

PRIVATE CONCRETE ENTRANCE

EX. ROW

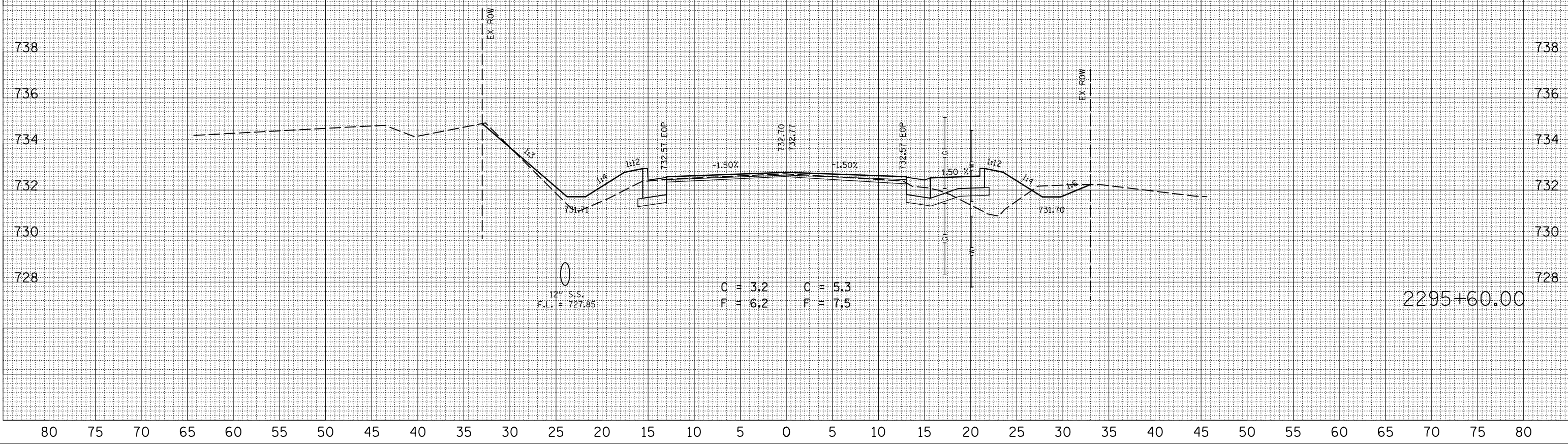
EX. ROW

CONTRACT NO. 70623				
F.A.P. RTE.	SECTION	COUNTY	TOTAL SHEETS	SHEET NO.
808		**	715	683
STA. 2295+60.00		TO STA. 2296+00.00		
FED. ROAD DIST. NO.	ILLINOIS	FED. AID PROJECT		
* (205) 57-1059RS-2 ** CHAMPAIGN & DOUGLAS				

BY	DATE

BY	DATE

PLOT DATE = 8/1/2009
 FILE NAME = I:\105682\Acr\orig\cr\2295+60.dwg
 PLOT SCALE = 1/8" = 10'-0"
 USER NAME = craigr

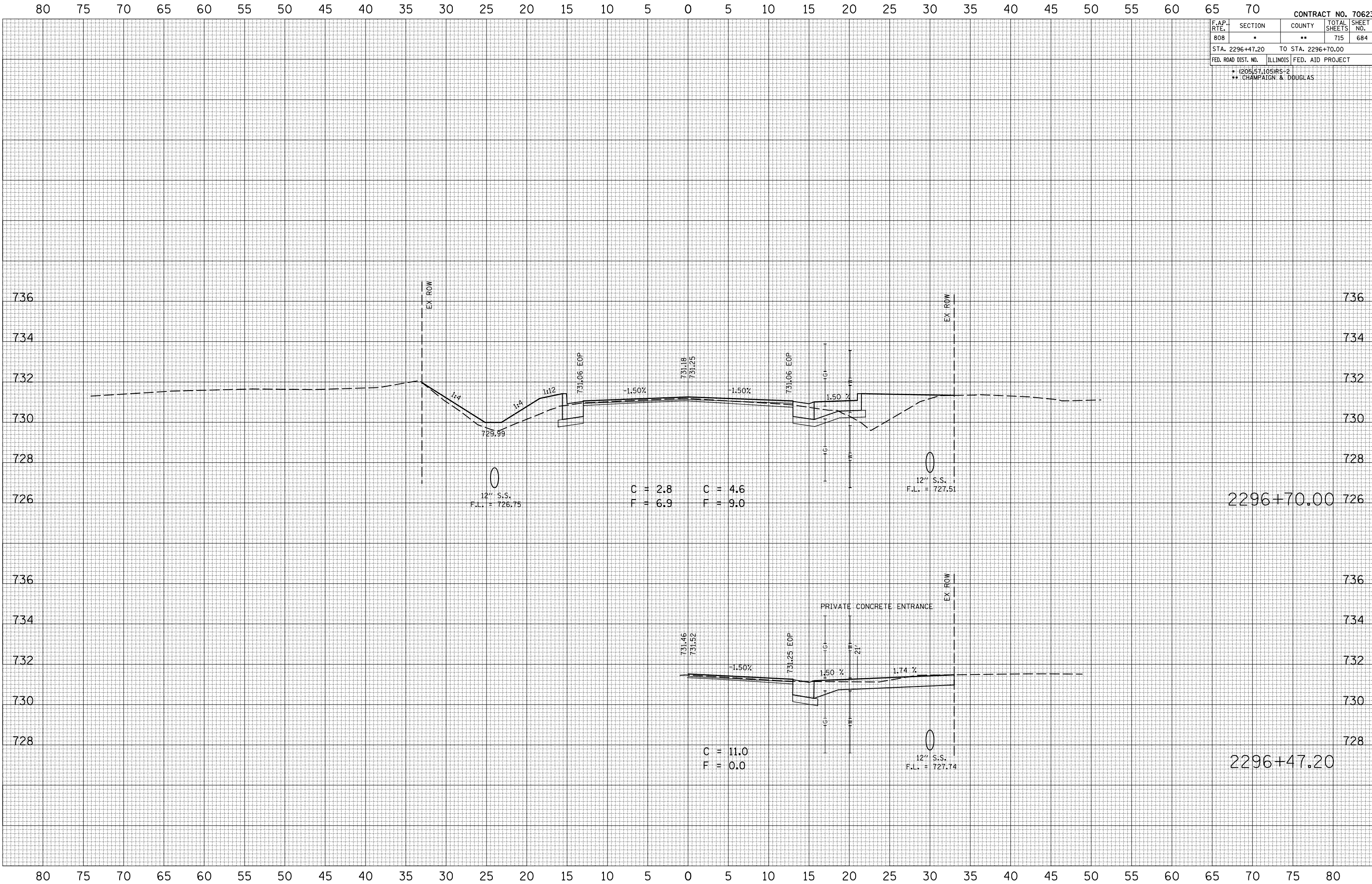


F.A.P. RTE.	SECTION	COUNTY	TOTAL SHEETS	SHEET NO.
808	*	**	715	684
STA. 2296+47.20		TO STA. 2296+70.00		
FED. ROAD DIST. NO.	ILLINOIS	FED. AID PROJECT		
* (205.57, 105)RS-2				
** CHAMPAIGN & DOUGLAS				

BY	DATE

BY	DATE

PLOT DATE = 8/1/2009
 FILE NAME = I:\105682\craigr\craigr\2296+47.20-70.00.dwg
 PLOT SCALE = 1/8"=1'-0"
 USER NAME = craigr



F.A.P. RTE.	SECTION	COUNTY	TOTAL SHEETS	SHEET NO.
808	*	**	715	685

STA. 2296+91.40 TO STA. 2297+00.00
 FED. ROAD DIST. NO. ILLINOIS FED. AID PROJECT

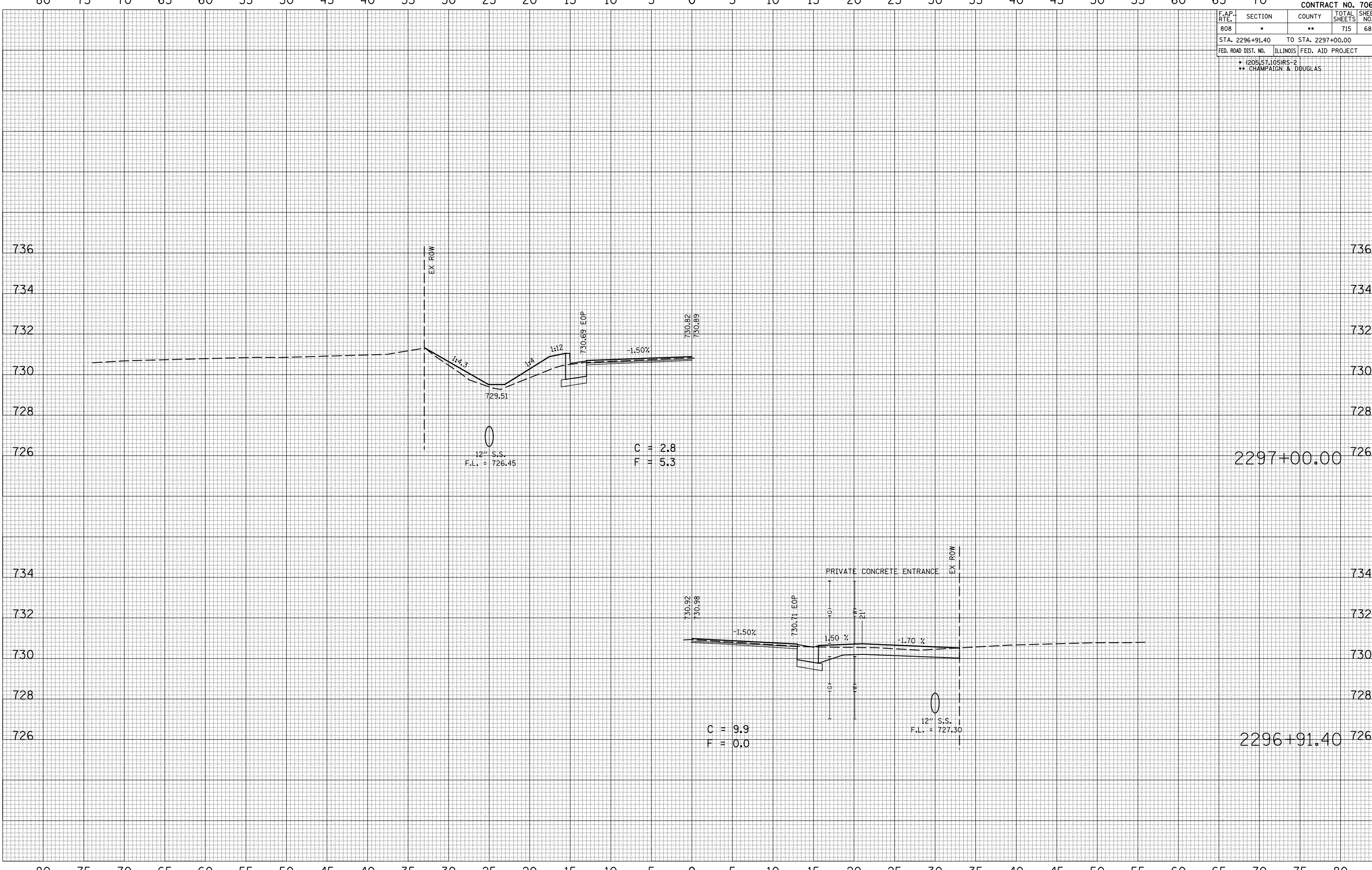
* (205) 57,105) RS-2
 ** CHAMPAIGN & DOUGLAS

DATE	BY

NO.	AREAS CHECKED	DATE	BY

NO.	AREAS CHECKED	DATE	BY

PLOT DATE = 8/1/2009
 FILE NAME = \\s:\projects\2009\2009_08_01\2009_08_01\2009_08_01.dwg
 PLOT SCALE = 1/4" = 10.0000'
 USER NAME = craige

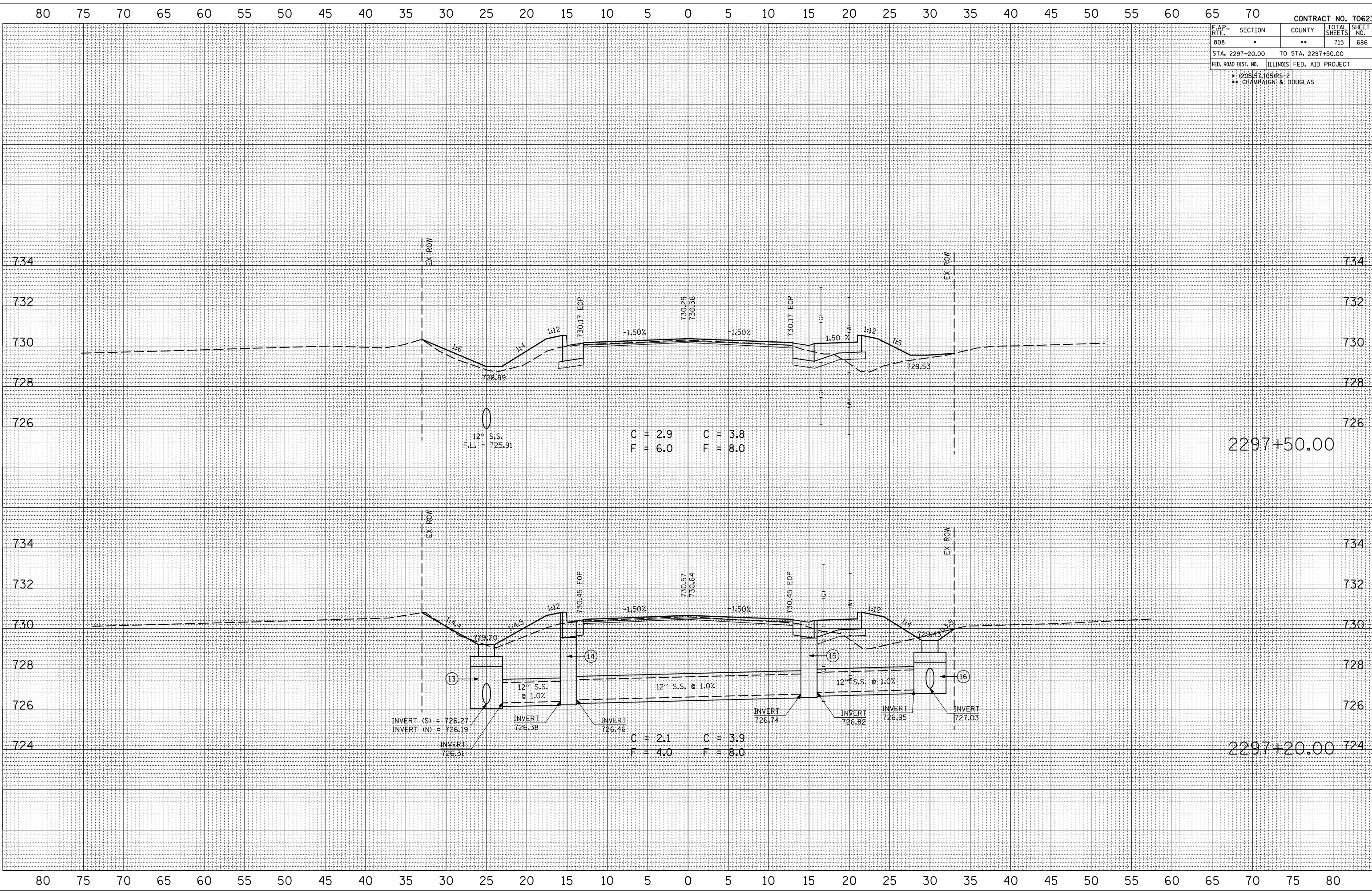


F.A.P. RTE.	SECTION	COUNTY	TOTAL SHEETS	SHEET NO.
808		**	715	686
STA. 2297+20.00		TO STA. 2297+50.00		
FED. ROAD DIST. NO.	ILLINOIS	FED. AID PROJECT		
* 205.57.105RS-2 ** CHAMPAIGN & DOUGLAS				

BY	DATE

BY	DATE

PLOT DATE = 8/1/2009
 FILE NAME = I:\10582\2297+20\2297+20.dwg
 PLOT SCALE = 1/8"=1'-0"
 USER NAME = craigr



2297+50.00

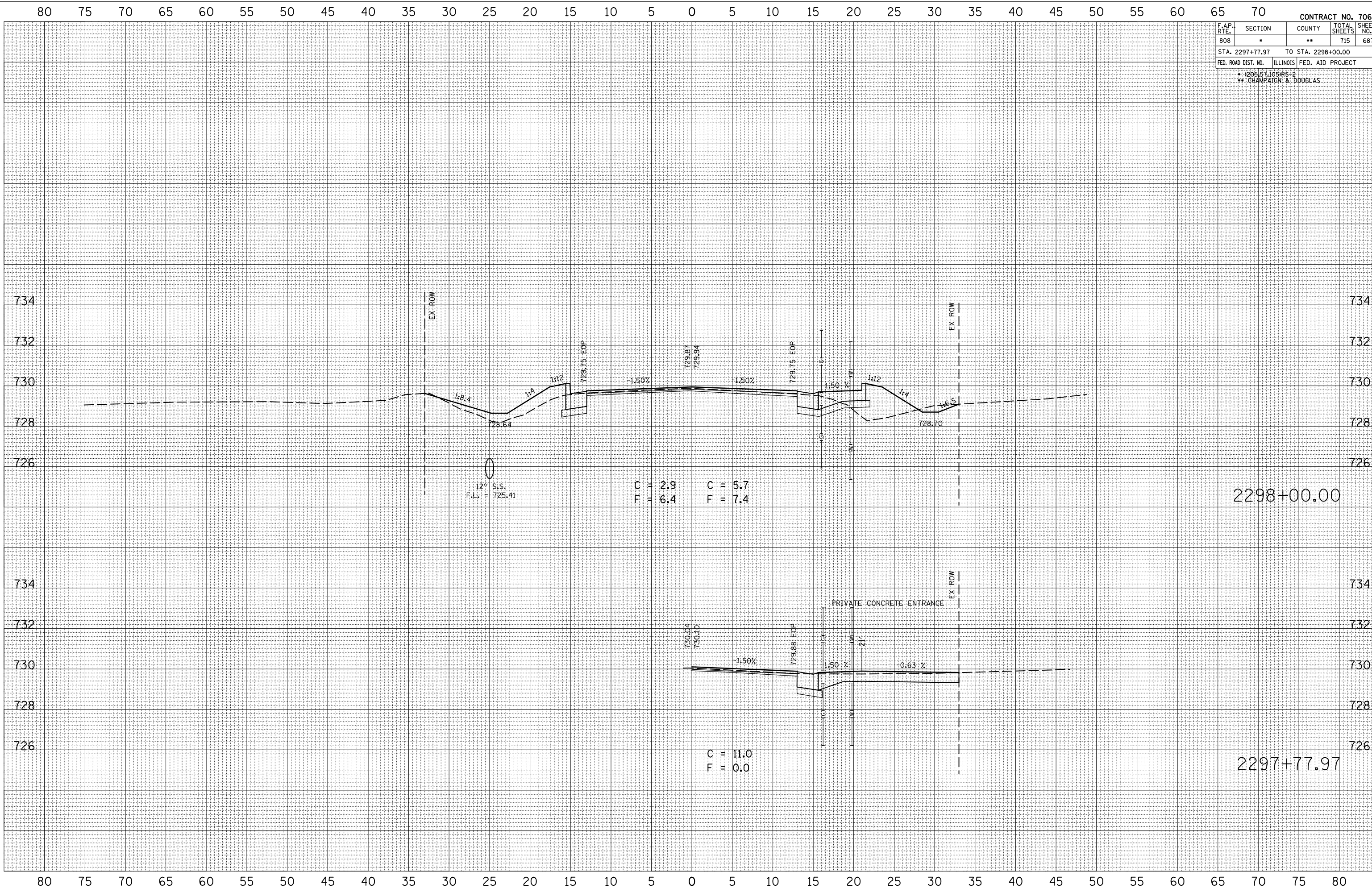
2297+20.00

F.A.P. RTE.	SECTION	COUNTY	TOTAL SHEETS	SHEET NO.
808	•	••	715	687
STA. 2297+77.97		TO STA. 2298+00.00		
FED. ROAD DIST. NO.	ILLINOIS	FED. AID PROJECT		
• (205.57.105)RS-2 •• CHAMPAIGN & DOUGLAS				

BY	DATE

BY	DATE

PLOT DATE = 8/1/2009
 FILE NAME = I:\105602\cham\2297+77.97.dwg
 PLOT SCALE = 1/8"=1'-0"
 USER NAME = craigr



F.A.P. RTE.	SECTION	COUNTY	TOTAL SHEETS	SHEET NO.
808	*	**	715	688
STA. 2298+25.00		TO STA. 2298+53.66		
FED. ROAD DIST. NO.	ILLINOIS	FED. AID PROJECT		
* 205.57, 105.95-2 ** CHAMPAIGN & DOUGLAS				

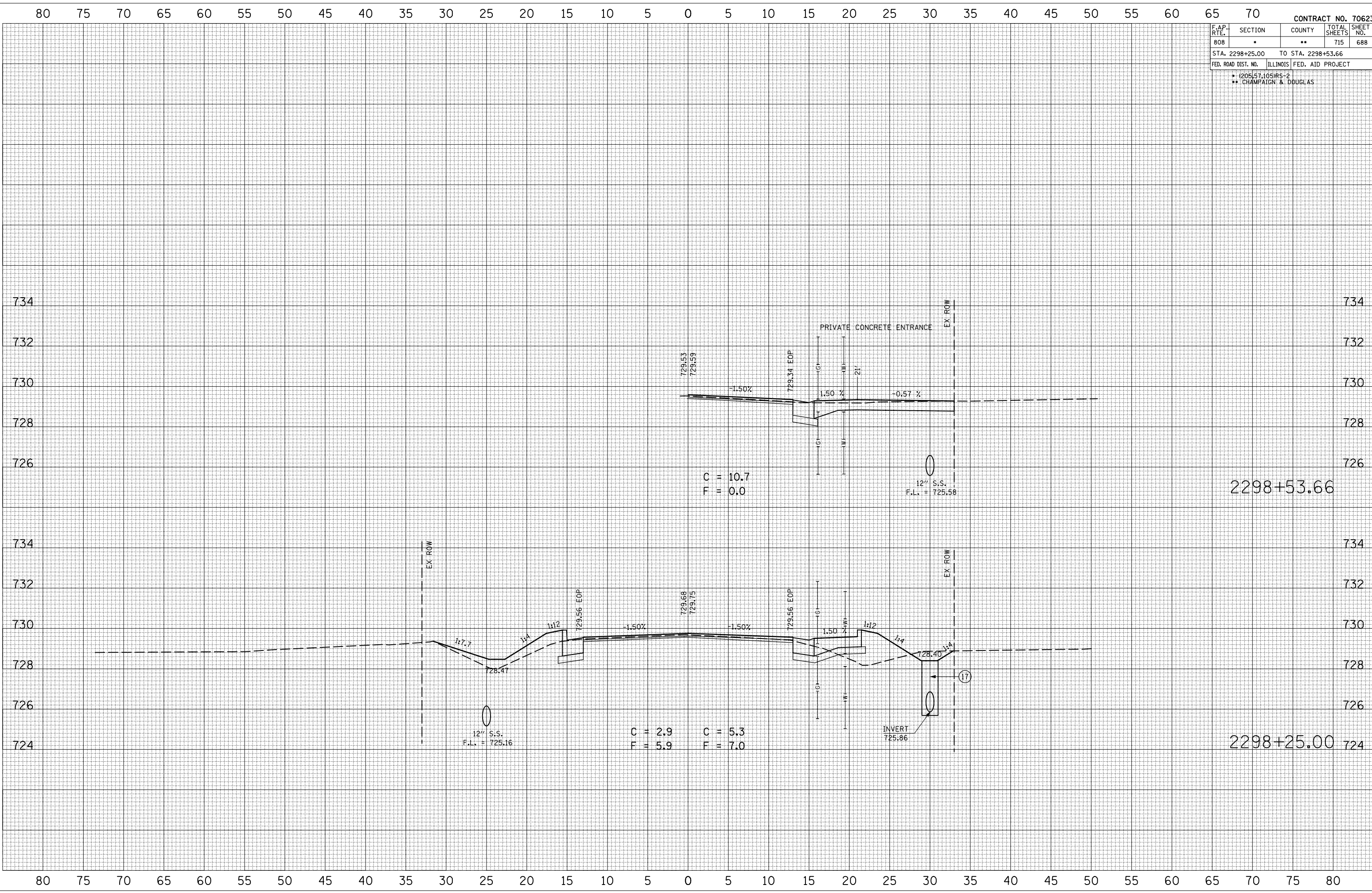
BY	DATE

NO.	AREAS CHECKED

BY	DATE

NO.	AREAS CHECKED

PLOT DATE = 8/1/2009
 FILE NAME = I:\105682\105682.dwg
 PLOT SCALE = 1/8" = 1' IN.
 USER NAME = craigr



2298+53.66

2298+25.00

C = 10.7
F = 0.0

C = 2.9 C = 5.3
F = 5.9 F = 7.0

12" S.S.
F.L. = 725.16

INVERT
725.86

12" S.S.
F.L. = 725.58

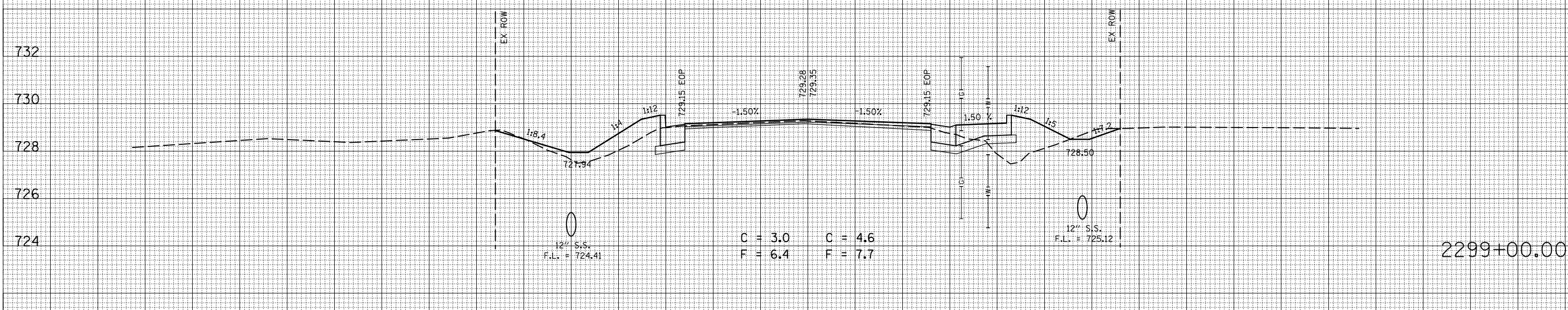
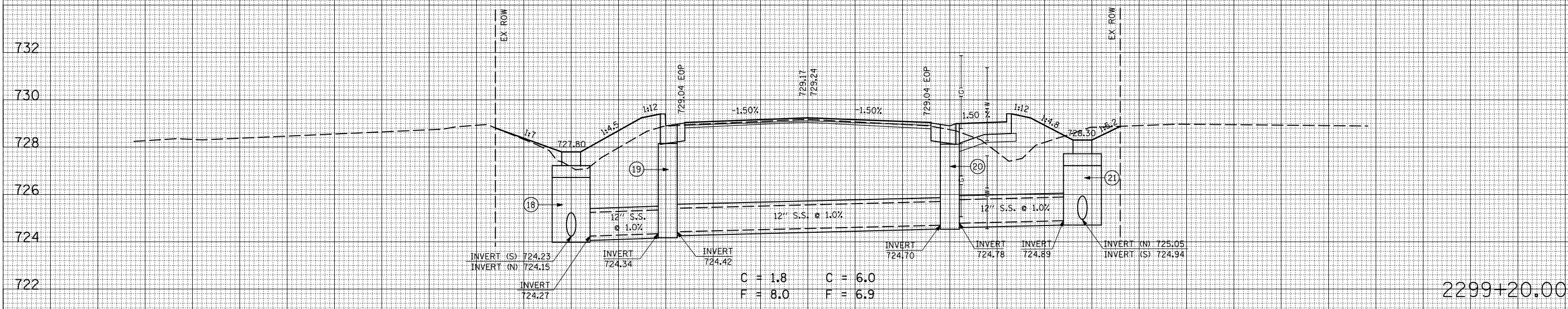
F.A.P. RTE.	SECTION	COUNTY	TOTAL SHEETS	SHEET NO.
808	•	••	715	689
STA. 2299+00.00		TO STA. 2299+20.00		
FED. ROAD DIST. NO.	ILLINOIS	FED. AID PROJECT		

• 205.57.105RS-2
•• CHAMPAIGN & DOUGLAS

DATE	
BY	
SURVEYED	
PLOTTED	
NOTE BOOK	
AREAS CHECKED	
NO.	

DATE	
BY	
SURVEYED	
PLOTTED	
NOTE BOOK	
AREAS CHECKED	
NO.	

PLOT DATE = 8/1/2009
FILE NAME = I:\105882\Acr\orig\2299+00.00.dwg
PLOT SCALE = 1" = 20'
USER NAME = craigr

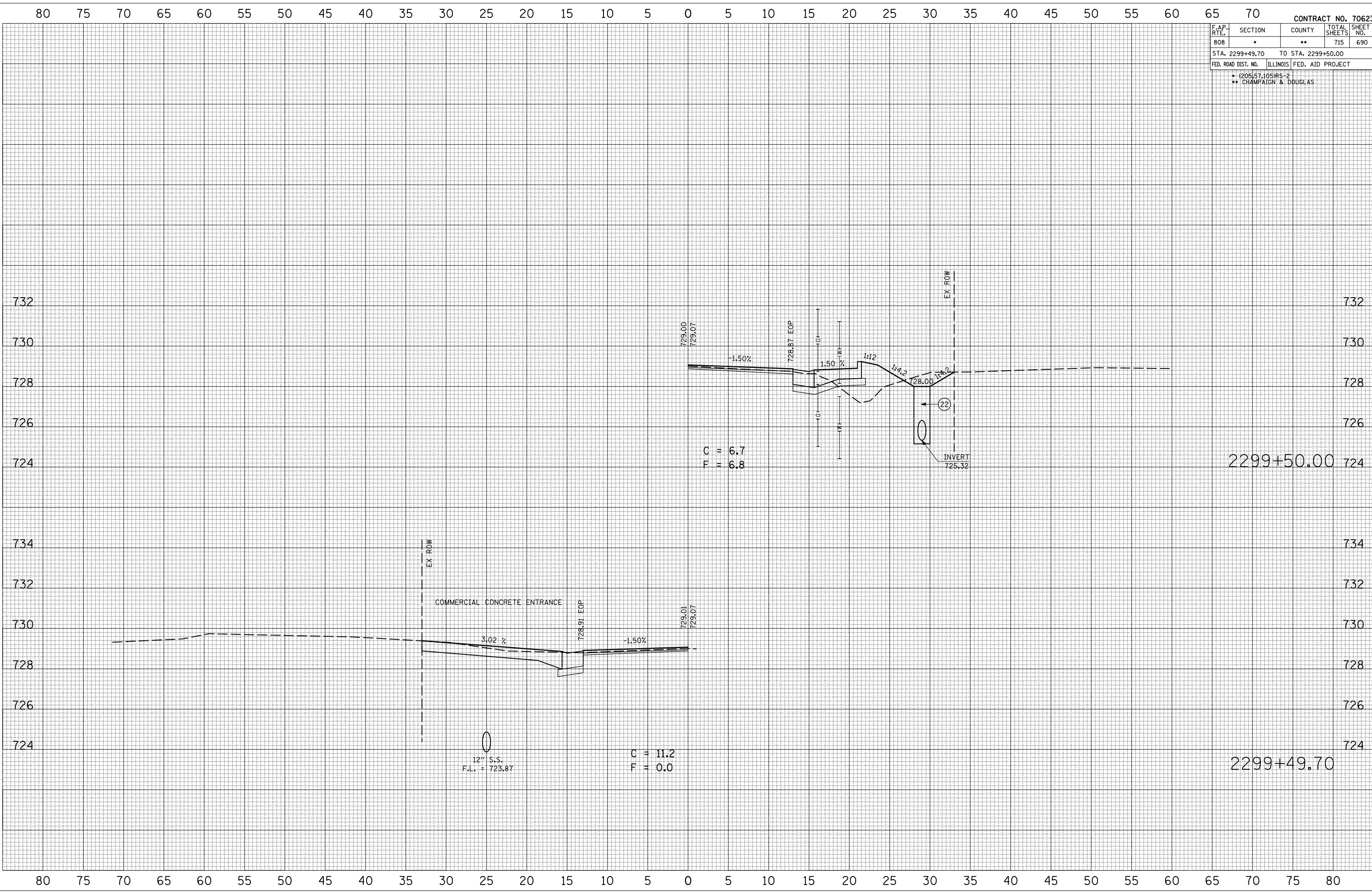


F.A.P. RTE.	SECTION	COUNTY	TOTAL SHEETS	SHEET NO.
808	.	..	715	690
STA. 2299+49.70		TO STA. 2299+50.00		
FED. ROAD DIST. NO.	ILLINOIS	FED. AID PROJECT		
• (205.57.105)RS-2 ** CHAMPAIGN & DOUGLAS				

BY	DATE
FINAL SURVEY	SURVEYED
NOTE BOOK	PLOTTED
NO.	AREAS CHECKED

BY	DATE
ORIGINAL SURVEY	SURVEYED
FILE NAME	PLOTTED
NO.	AREAS CHECKED

PLOT DATE = 8/1/2009
 FILE NAME = I:\105682\105682.dwg
 PLOT SCALE = 1/8" = 1'-0"
 USER NAME = craigr



F.A.P. RTE.	SECTION	COUNTY	TOTAL SHEETS	SHEET NO.
808	*	**	715	691
STA. 2299+70.00		TO STA. 2299+94.30		
FED. ROAD DIST. NO.	ILLINOIS	FED. AID PROJECT		
* (205,57,105)RS-2 ** CHAMPAIGN & DOUGLAS				

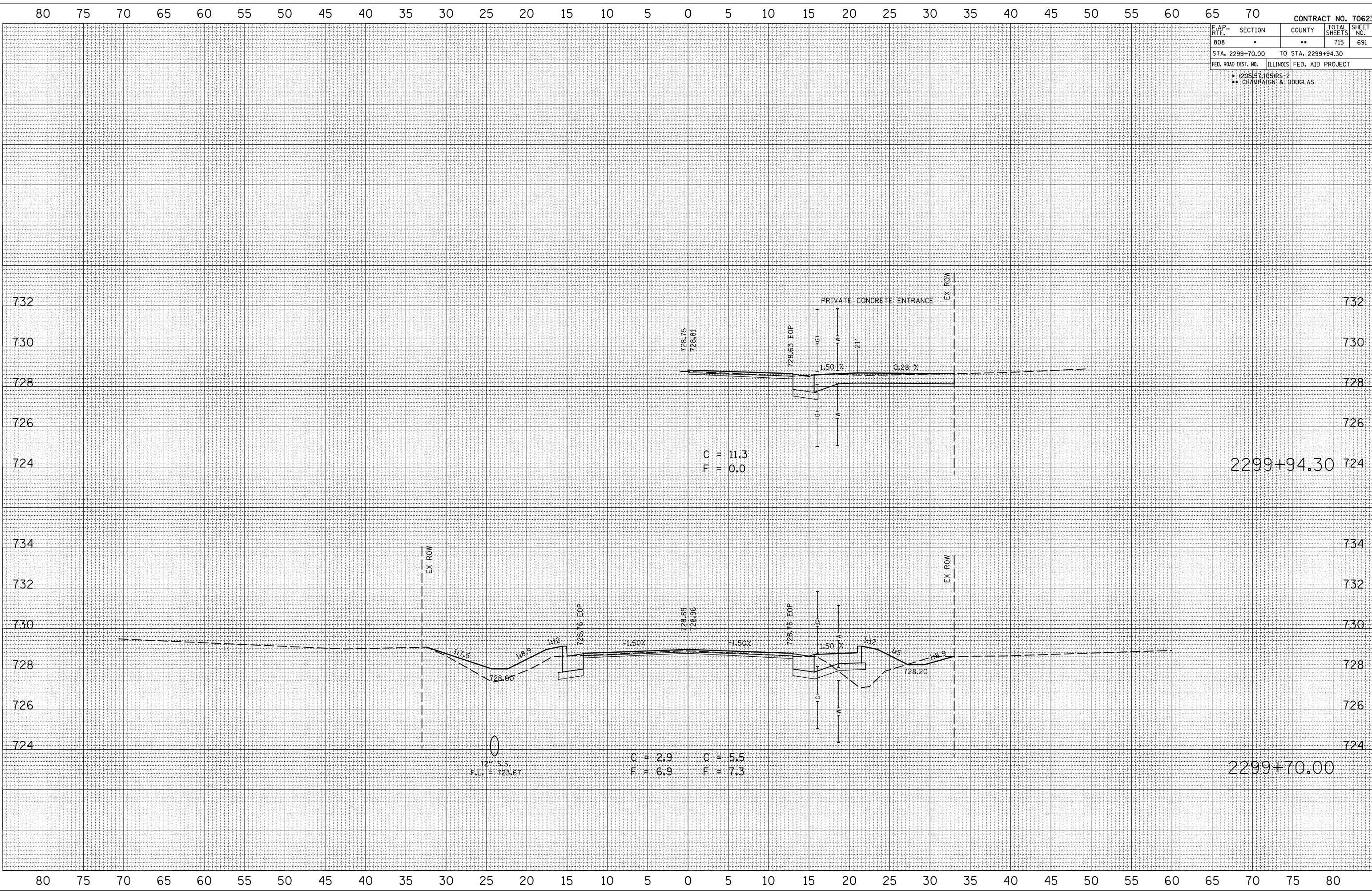
BY	DATE

NO.	AREAS CHECKED

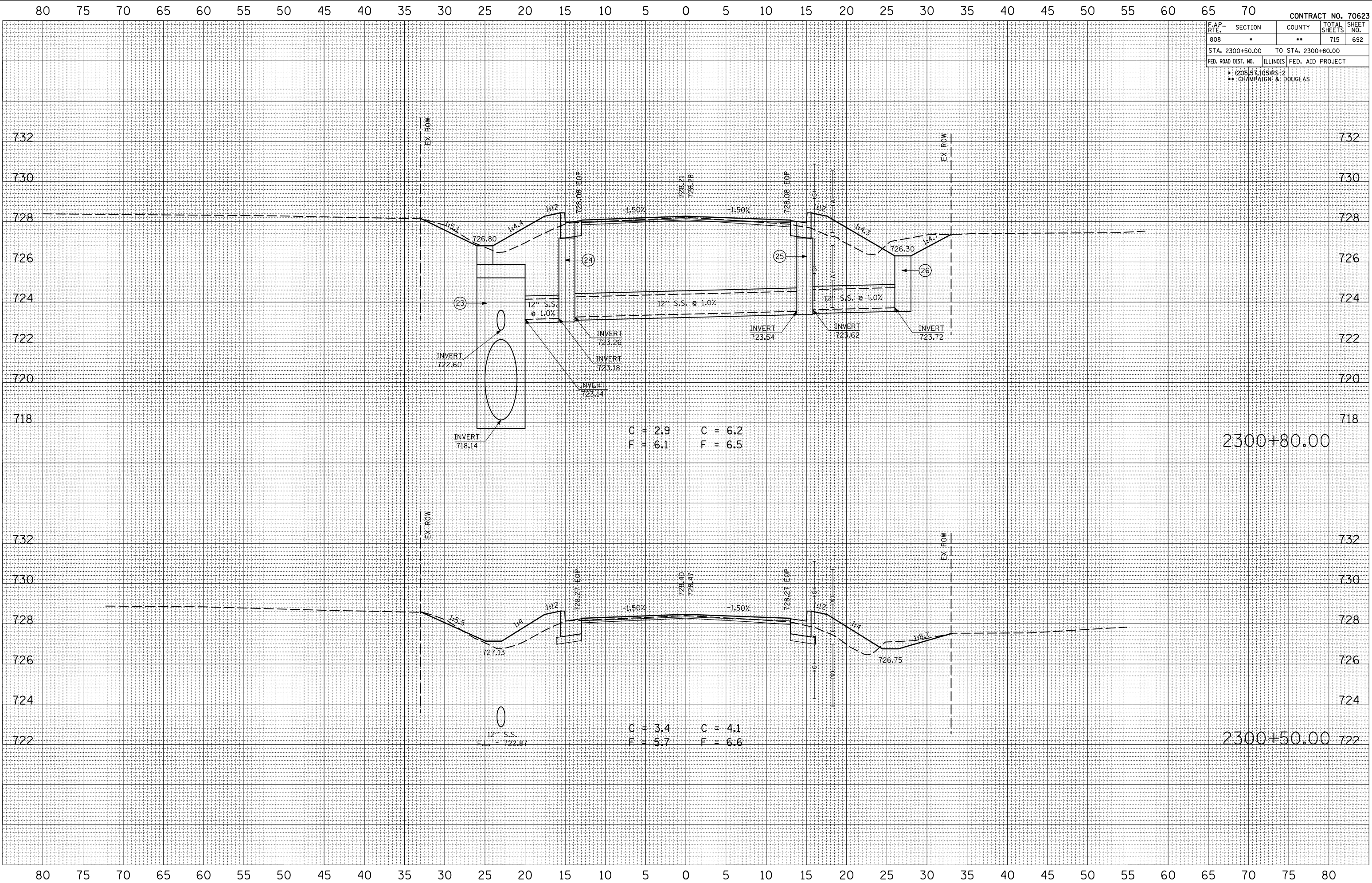
BY	DATE

NO.	AREAS CHECKED

PLOT DATE = 8/1/2009
 FILE NAME = I:\105682\craigr\craigr\105682\105682.dwg
 PLOT SCALE = 1/8" = 1' IN.
 USER NAME = craigr



F.A.P. RTE.	SECTION	COUNTY	TOTAL SHEETS	SHEET NO.
808		**	715	692
STA. 2300+50.00		TO STA. 2300+80.00		
FED. ROAD DIST. NO. ILLINOIS FED. AID PROJECT				
* 205.57.105RS-2 ** CHAMPAIGN & DOUGLAS				



BY: _____ DATE: _____
 SURVEYED: _____ PLOTTED: _____
 SURVEY: _____ PLOT: _____
 NO. _____ NO. _____
 AREAS CHECKED: _____

BY: _____ DATE: _____
 SURVEYED: _____ PLOTTED: _____
 SURVEY: _____ PLOT: _____
 NO. _____ NO. _____
 AREAS CHECKED: _____

PLOT DATE = 8/1/2009
 FILE NAME = I:\105682\105682.dwg
 PLOT SCALE = 1/8" = 1'-0"
 USER NAME = craigr

C = 2.9 C = 6.2
 F = 6.1 F = 6.5

C = 3.4 C = 4.1
 F = 5.7 F = 6.6

2300+80.00

2300+50.00

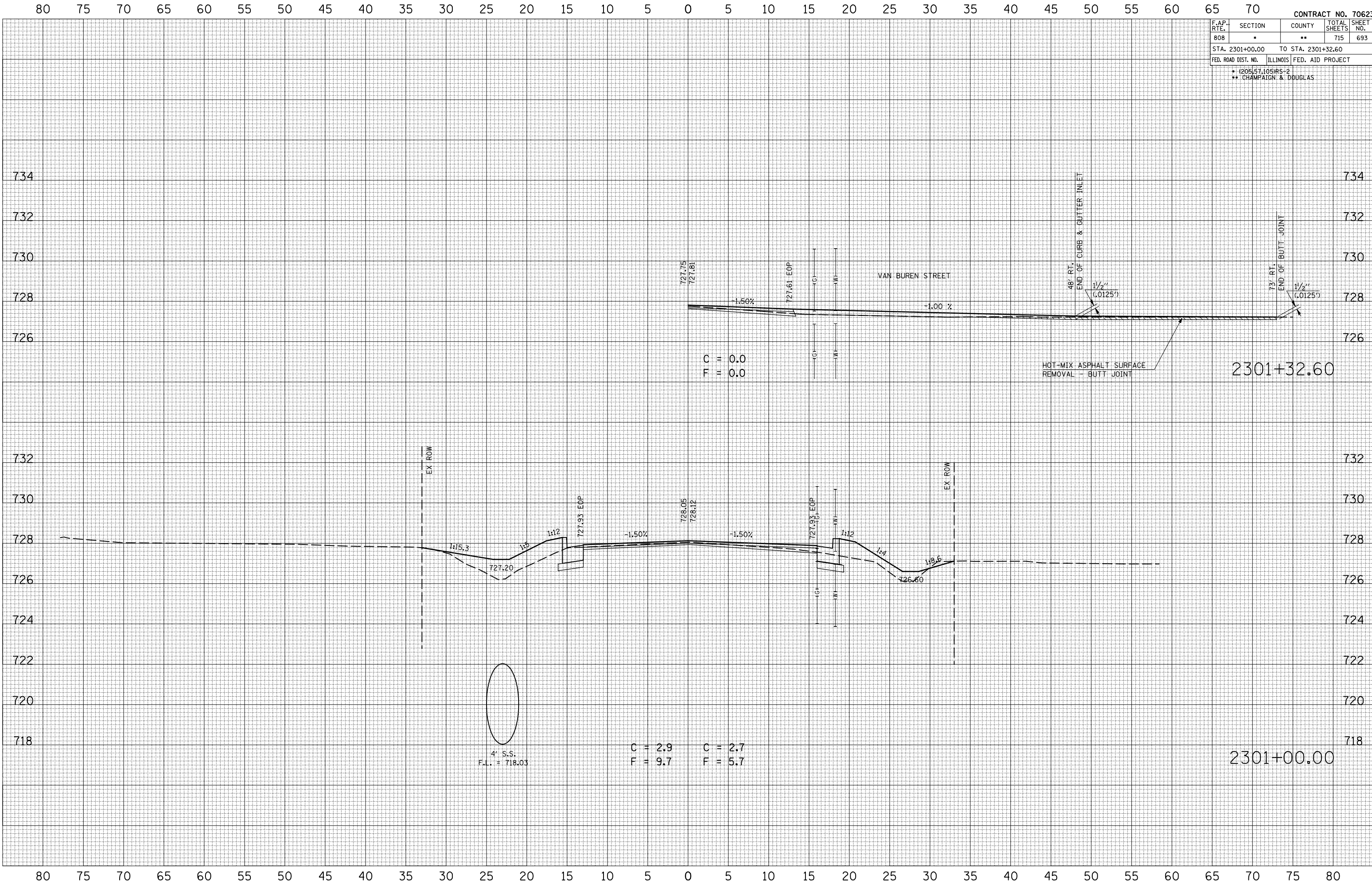
F.A.P. RTE.	SECTION	COUNTY	TOTAL SHEETS	SHEET NO.
808		**	715	693
STA. 2301+00.00		TO STA. 2301+32.60		
FED. ROAD DIST. NO. ILLINOIS FED. AID PROJECT				

• (205.57.105)RS-2
 ** CHAMPAIGN & DOUGLAS

BY	DATE

BY	DATE

PLOT DATE = 8/1/2009
 FILE NAME = I:\105682\crsgr\crsgr.dwg
 PLOT SCALE = 1/8"=1'-0"
 USER NAME = crsgr



4' S.S.
 F.L. = 718.03

C = 2.9 C = 2.7
 F = 9.7 F = 5.7

2301+32.60

2301+00.00

F.A.P. RTE.	SECTION	COUNTY	TOTAL SHEETS	SHEET NO.
808	*	**	715	694
STA. 2301+48.40		TO STA. 2301+48.40		
FED. ROAD DIST. NO.	ILLINOIS	FED. AID PROJECT		
* 205.57.105RS-2 ** CHAMPAIGN & DOUGLAS				

BY	DATE

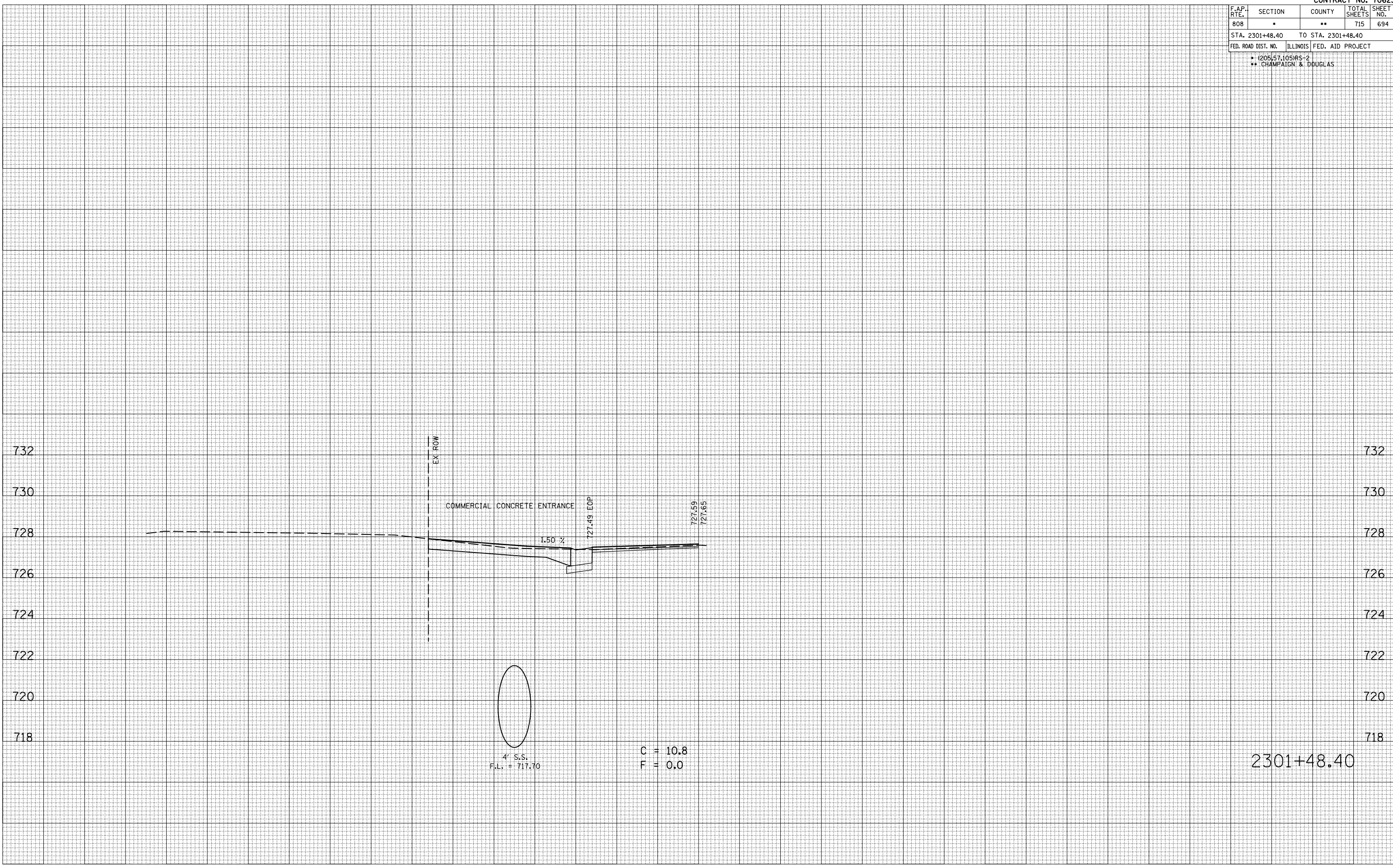
NO.	AREAS CHECKED

NO.	AREAS CHECKED

BY	DATE

NO.	AREAS CHECKED

PLOT DATE = 8/1/2009
 FILE NAME = I:\15682\Drawings\2301+48.40.dwg
 PLOT SCALE = 1/4" = 1'-0"
 USER NAME = craigr



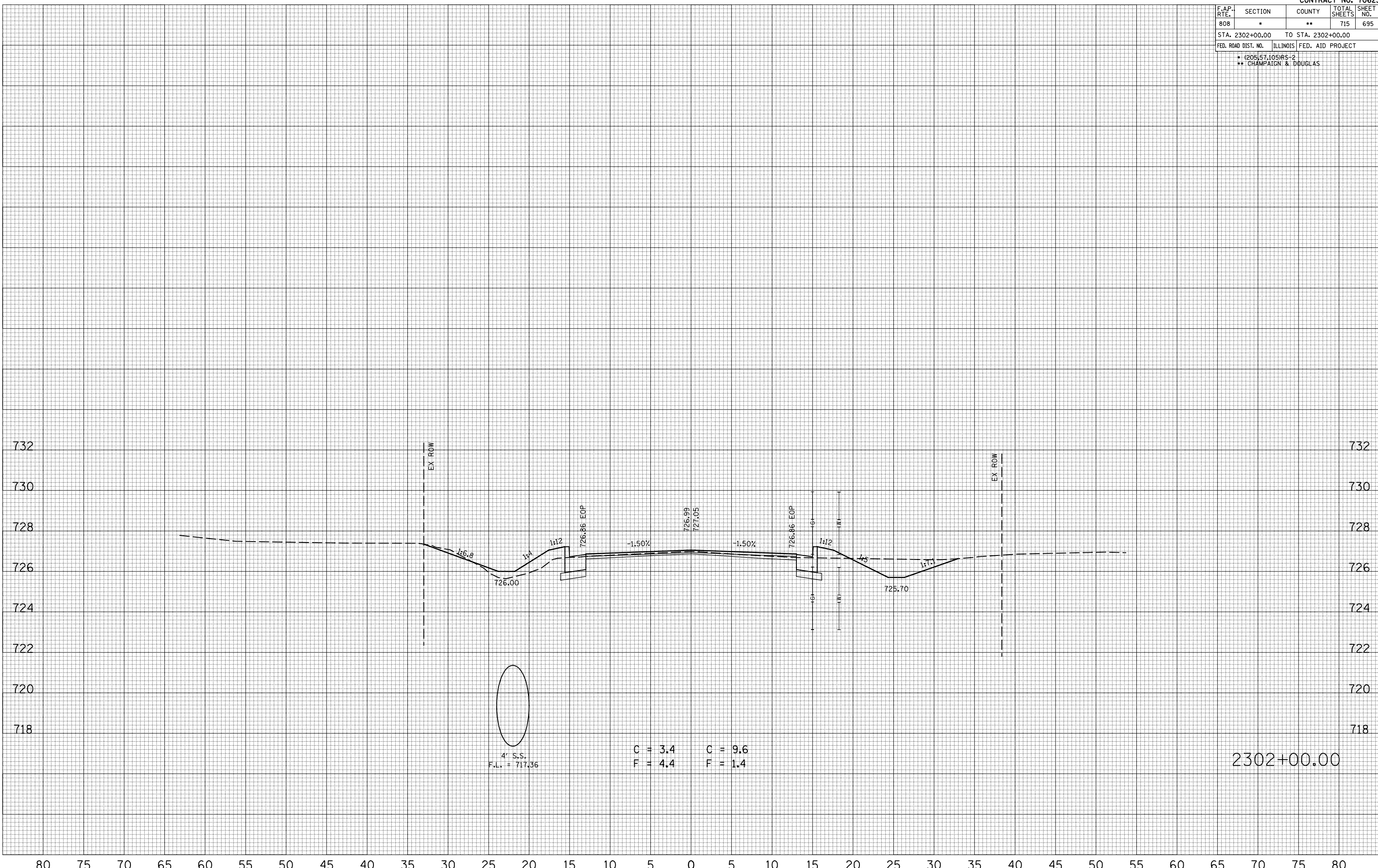
F.A.P. RTE.	SECTION	COUNTY	TOTAL SHEETS	SHEET NO.
808	*	**	715	695
STA. 2302+00.00 TO STA. 2302+00.00				
FED. ROAD DIST. NO.	ILLINOIS	FED. AID PROJECT		

• (205,57,105)RS-2
 ** CHAMPAIGN & DOUGLAS

DATE	BY

DATE	BY

PLOT DATE = 8/1/2009
 FILE NAME = 1015682
 PLOT SCALE = 1/8" = 1' / IN.
 USER NAME = craigr



4" S.S.
 F.L. = 717.36

C = 3.4 C = 9.6
 F = 4.4 F = 1.4

2302+00.00

F.A.P. RTE.	SECTION	COUNTY	TOTAL SHEETS	SHEET NO.
808	*	**	715	696
STA. 2302+50.00		TO STA. 2302+50.00		
FED. ROAD DIST. NO.		ILLINOIS	FED. AID PROJECT	
* (205.57.105)RS-2				
** CHAMPAIGN & DOUGLAS				

BY	DATE

FINAL SURVEY	SURVEYED	PLOTTED

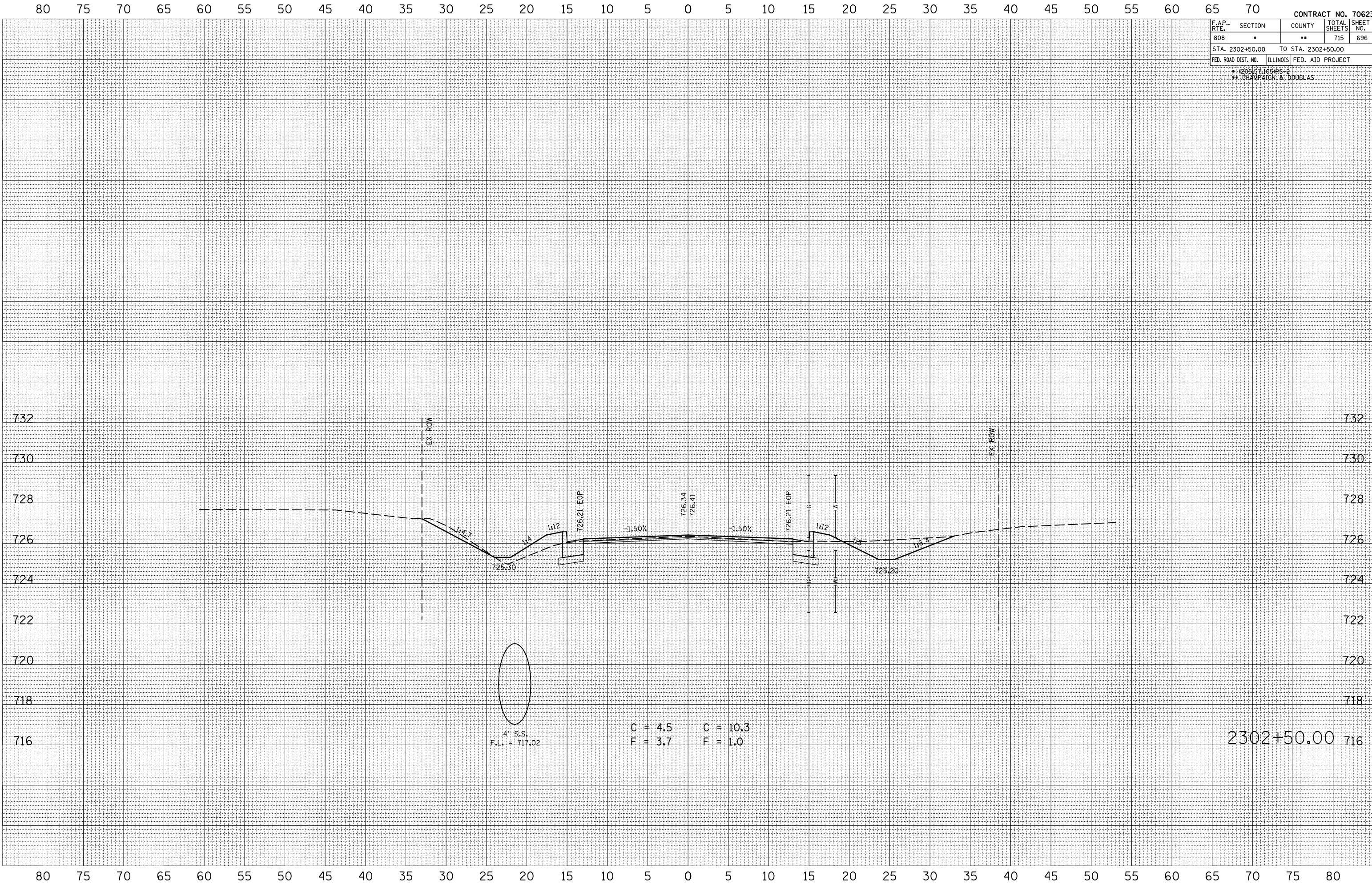
NO. BOOK	NO. SHEET	AREAS CHECKED

BY	DATE

ORIGINAL SURVEY	SURVEYED	PLOTTED

NO. BOOK	NO. SHEET	AREAS CHECKED

PLOT DATE = 8/1/2009
FILE NAME = 1015582
PLOT SCALE = 1/8" = 1'-0"
USER NAME = craigr



C = 4.5 C = 10.3
F = 3.7 F = 1.0

2302+50.00 716

F.A.P. RTE.	SECTION	COUNTY	TOTAL SHEETS	SHEET NO.
808	*	**	715	697

STA. 2302+70.00 TO STA. 2302+92.00
 FED. ROAD DIST. NO. ILLINOIS FED. AID PROJECT

• (205,57,105)RS-2
 ** CHAMPAIGN & DOUGLAS

BY	DATE

NO.

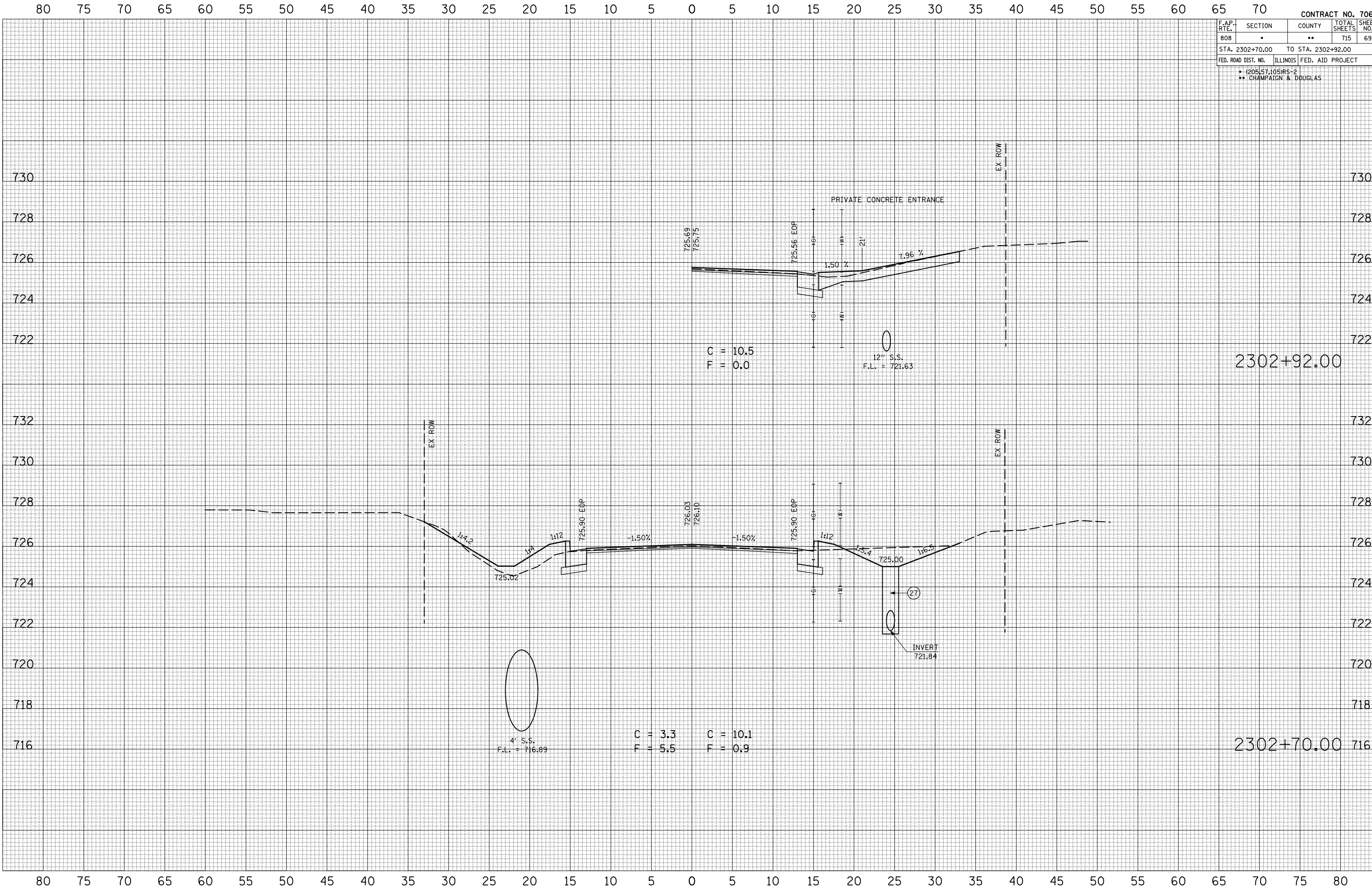
BY	DATE

NO.

BY	DATE

NO.

PLOT DATE = 8/1/2009
 FILE NAME = I:\105682\105682.dwg
 PLOT SCALE = 1/8" = 1'-0"
 USER NAME = craigr



2302+92.00

2302+70.00

C = 10.5
 F = 0.0

C = 3.3 C = 10.1
 F = 5.5 F = 0.9

4" S.S.
 F.L. = 716.89

12" S.S.
 F.L. = 721.63

F.A.P. RTE.	SECTION	COUNTY	TOTAL SHEETS	SHEET NO.
808	*	**	715	698

STA. 2303+00.00 TO STA. 2303+15.00
 FED. ROAD DIST. NO. ILLINOIS FED. AID PROJECT

• (205)57,105)RS-2
 ** CHAMPAIGN & DOUGLAS

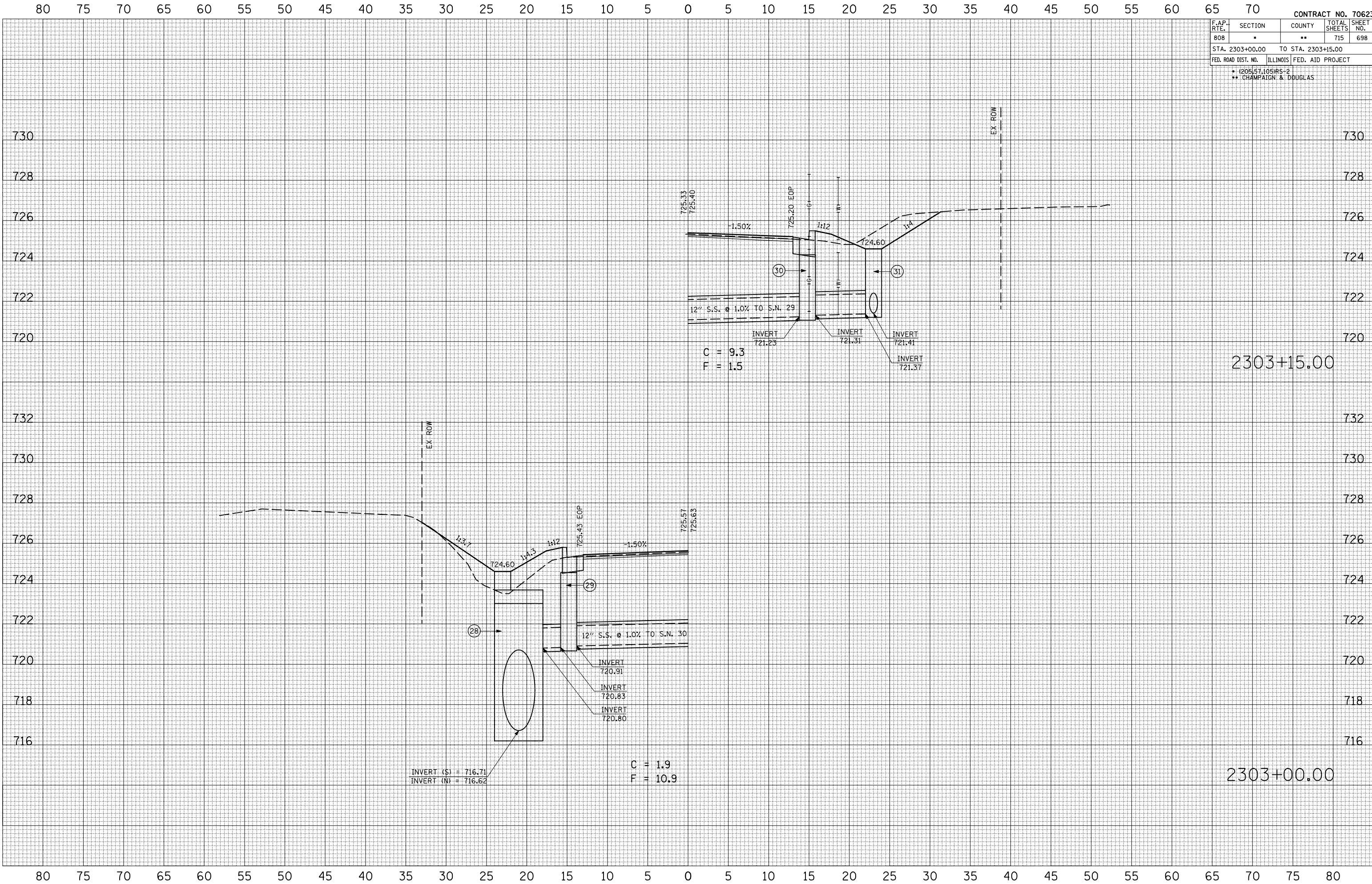
BY	DATE

NO.	AREAS CHECKED

BY	DATE

NO.	AREAS CHECKED

PLOT DATE = 8/1/2009
 FILE NAME = I:\105682\105682.dwg
 PLOT SCALE = 1/8" = 1'-0"
 USER NAME = craigr



2303+15.00

2303+00.00

C = 9.3
 F = 1.5

C = 1.9
 F = 10.9

INVERT (S) = 716.71
 INVERT (N) = 716.62

INVERT 720.91
 INVERT 720.83
 INVERT 720.80

INVERT 721.23
 INVERT 721.31
 INVERT 721.41
 INVERT 721.37

F.A.P. RTE.	SECTION	COUNTY	TOTAL SHEETS	SHEET NO.
808	*	**	715	699

STA. 2303+21.00 TO STA. 2303+31.35
 FED. ROAD DIST. NO. ILLINOIS FED. AID PROJECT

• (205)57,105)RS-2
 ** CHAMPAIGN & DOUGLAS

BY	DATE

NO.

AREAS CHECKED

AREAS CHECKED

PLATE

NO.

NO.

NO.

NO.

NO.

NO.

NO.

NO.

NO.

NO.

NO.

NO.

NO.

NO.

NO.

NO.

NO.

NO.

NO.

NO.

NO.

NO.

NO.

NO.

NO.

NO.

NO.

NO.

NO.

NO.

NO.

NO.

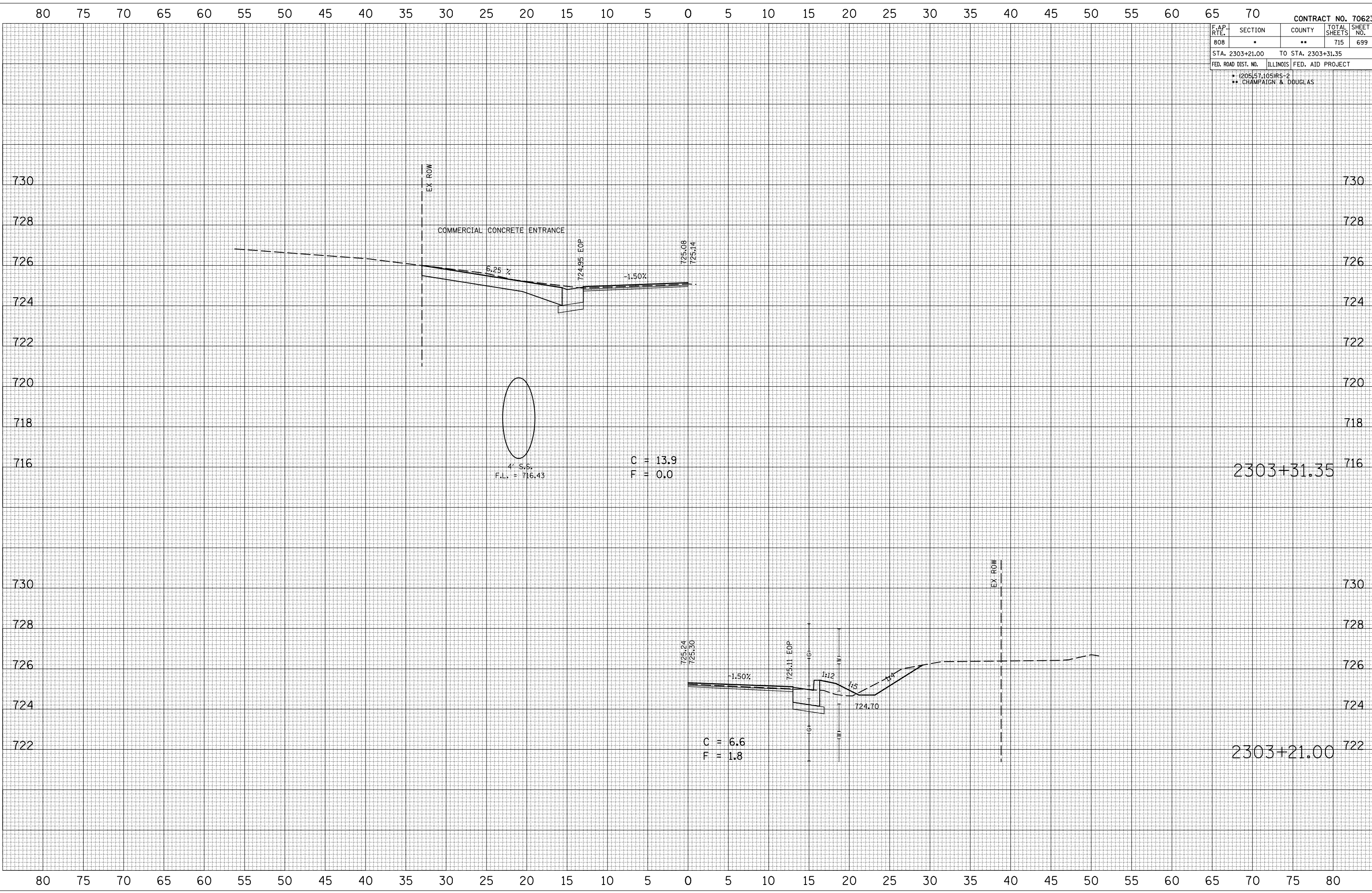
NO.

NO.

NO.

NO.

NO.



EX ROW

COMMERCIAL CONCRETE ENTRANCE

4' s.s.
 F.L. = 716.43

C = 13.9
 F = 0.0

2303+31.35

C = 6.6
 F = 1.8

2303+21.00

EX ROW

PLOT DATE = 8/1/2009
 FILE NAME = 1015682
 PLOT SCALE = 1/8" = 1' / IN.
 USER NAME = craigr

F.A.P. RTE.	SECTION	COUNTY	TOTAL SHEETS	SHEET NO.
808	*	**	715	700
STA. 2303+37.80		TO STA. 2303+60.00		
FED. ROAD DIST. NO.	ILLINOIS	FED. AID PROJECT		
* (205.57, 105)RS-2 ** CHAMPAIGN & DOUGLAS				

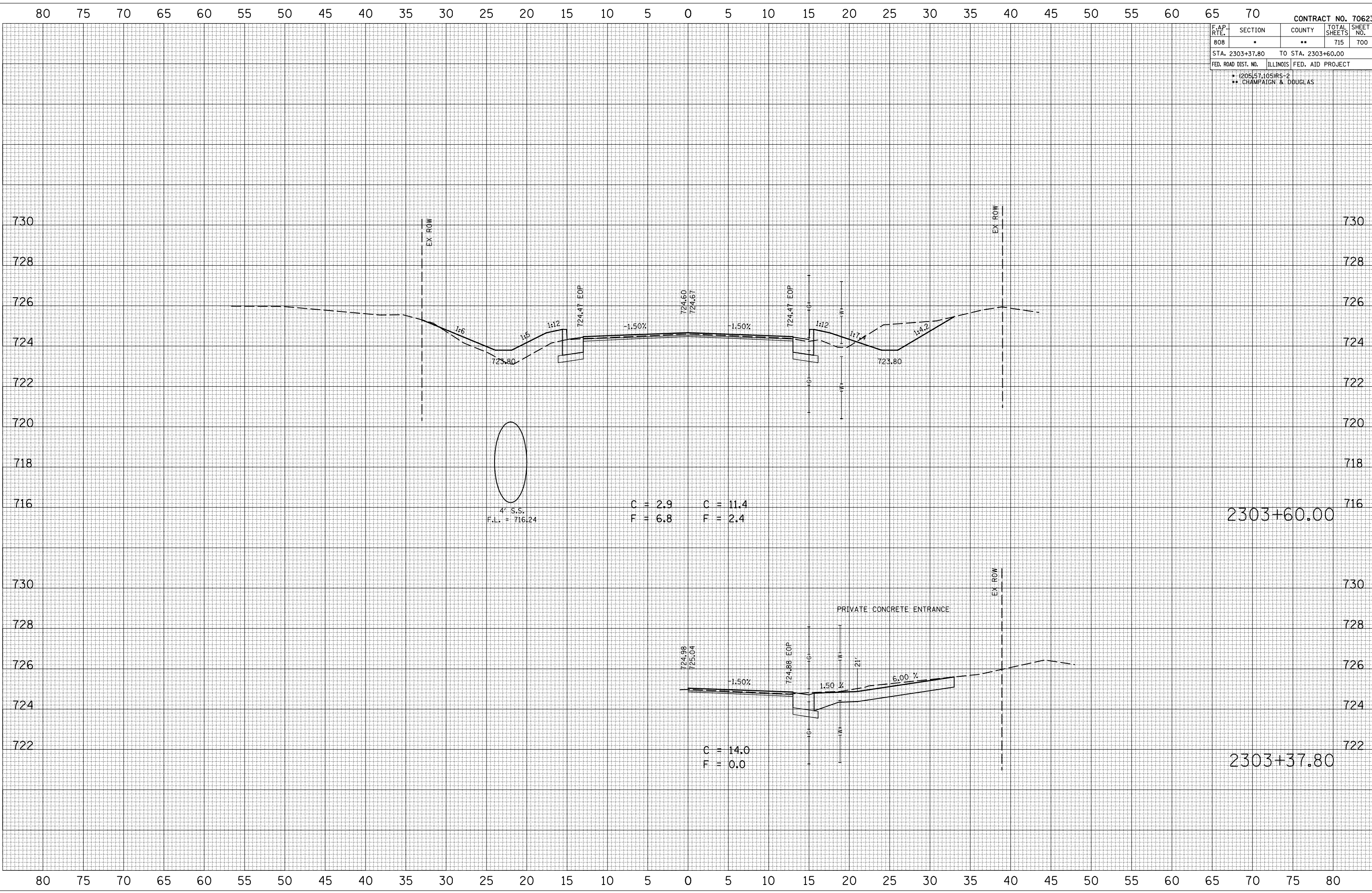
BY	DATE

NO.	AREAS CHECKED

BY	DATE

NO.	AREAS CHECKED

PLOT DATE = 8/1/2009
 FILE NAME = I:\105682\craigr\craigr\p105682\craigr\p105682.dwg
 PLOT SCALE = 1/8" = 1' IN.
 USER NAME = craigr



2303+60.00

2303+37.80

C = 2.9 C = 11.4
 F = 6.8 F = 2.4

C = 14.0
 F = 0.0

F.A.P. RTE.	SECTION	COUNTY	TOTAL SHEETS	SHEET NO.
808	*	**	715	701
STA. 2304+00.00		TO STA. 2304+50.00		
FED. ROAD DIST. NO.		ILLINOIS FED. AID PROJECT		

• (205.57.105)RS-2
 ** CHAMPAIGN & DOUGLAS

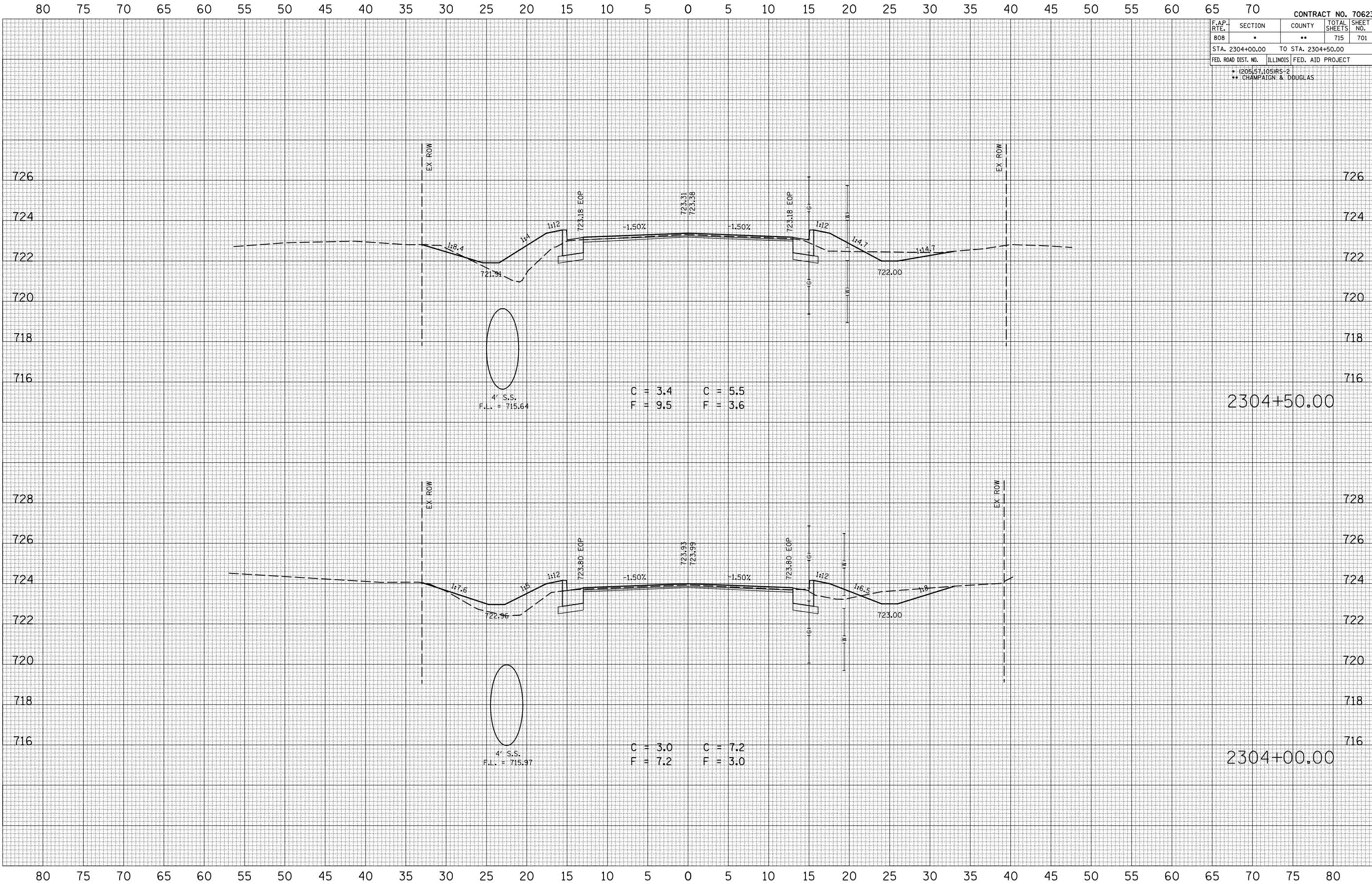
BY	DATE

NO.	AREAS CHECKED	AREAS	PLATE	PLOTTED	SURVEYED

BY	DATE

NO.	AREAS CHECKED	AREAS	PLATE	PLOTTED	SURVEYED

PLOT DATE = 8/1/2009
 FILE NAME = I:\105682\craigr\craigr\80139\80139.dwg
 PLOT SCALE = 1/8"=1'-0"
 USER NAME = craigr



C = 3.4 C = 5.5
 F = 9.5 F = 3.6

C = 3.0 C = 7.2
 F = 7.2 F = 3.0

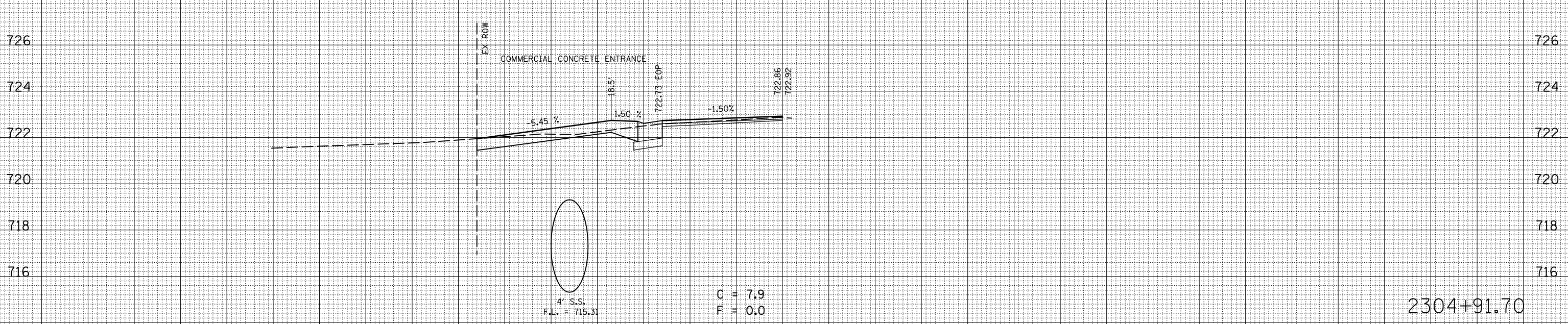
2304+50.00

2304+00.00

F.A.P. RTE.	SECTION	COUNTY	TOTAL SHEETS	SHEET NO.
808	*	**	715	702
STA. 2304+60.00		TO STA. 2304+91.70		
FED. ROAD DIST. NO.		ILLINOIS FED. AID PROJECT		
* (205.57, 105)RS-2 ** CHAMPAIGN & DOUGLAS				

BY	DATE

NO.	AREAS CHECKED

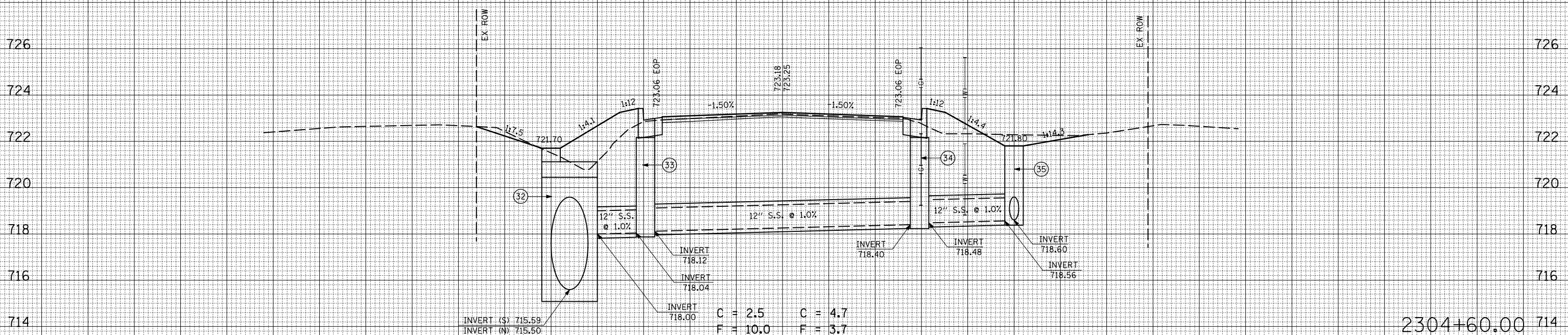


C = 7.9
F = 0.0

2304+91.70

BY	DATE

NO.	AREAS CHECKED



C = 2.5 C = 4.7
F = 10.0 F = 3.7

2304+60.00

PLOT DATE = 8/1/2009
FILE NAME = I:\105682\Drawings\2304+60.00-2304+91.70.dwg
PLOT SCALE = 1/8" = 1'-0"
USER NAME = craigr

F.A.P. RTE.	SECTION	COUNTY	TOTAL SHEETS	SHEET NO.
808	*	**	715	703
STA. 2305+00.00		TO STA. 2305+15.00		
FED. ROAD DIST. NO.		ILLINOIS	FED. AID PROJECT	

• (205.57,105)RS-2
 ** CHAMPAIGN & DOUGLAS

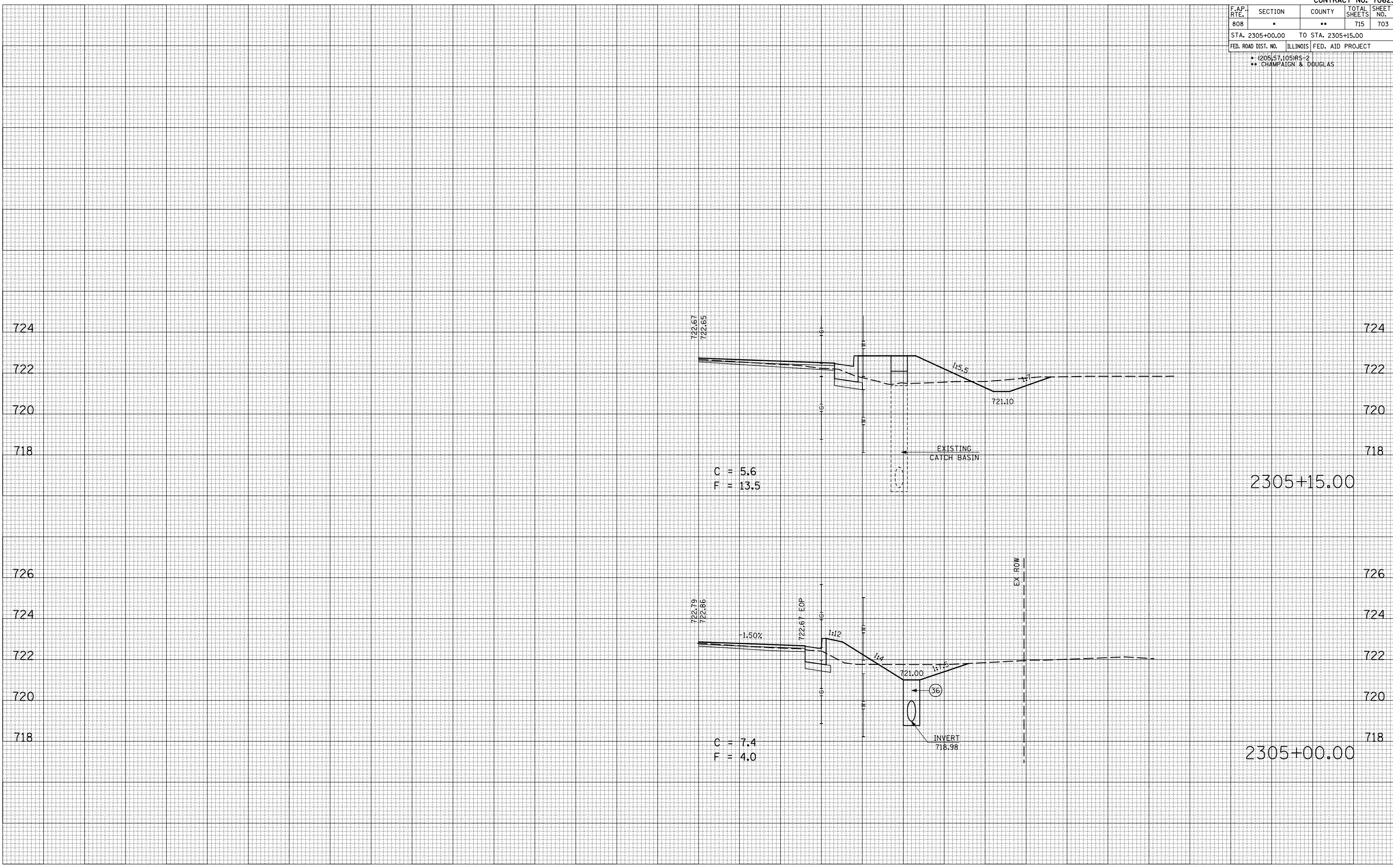
BY	DATE

NO.

BY	DATE

NO.

PLOT DATE = 8/1/2009
 FILE NAME = I:\105682\Drawings\2305+00.00.dwg
 PLOT SCALE = 1/8"=1'-0"
 USER NAME = craigr

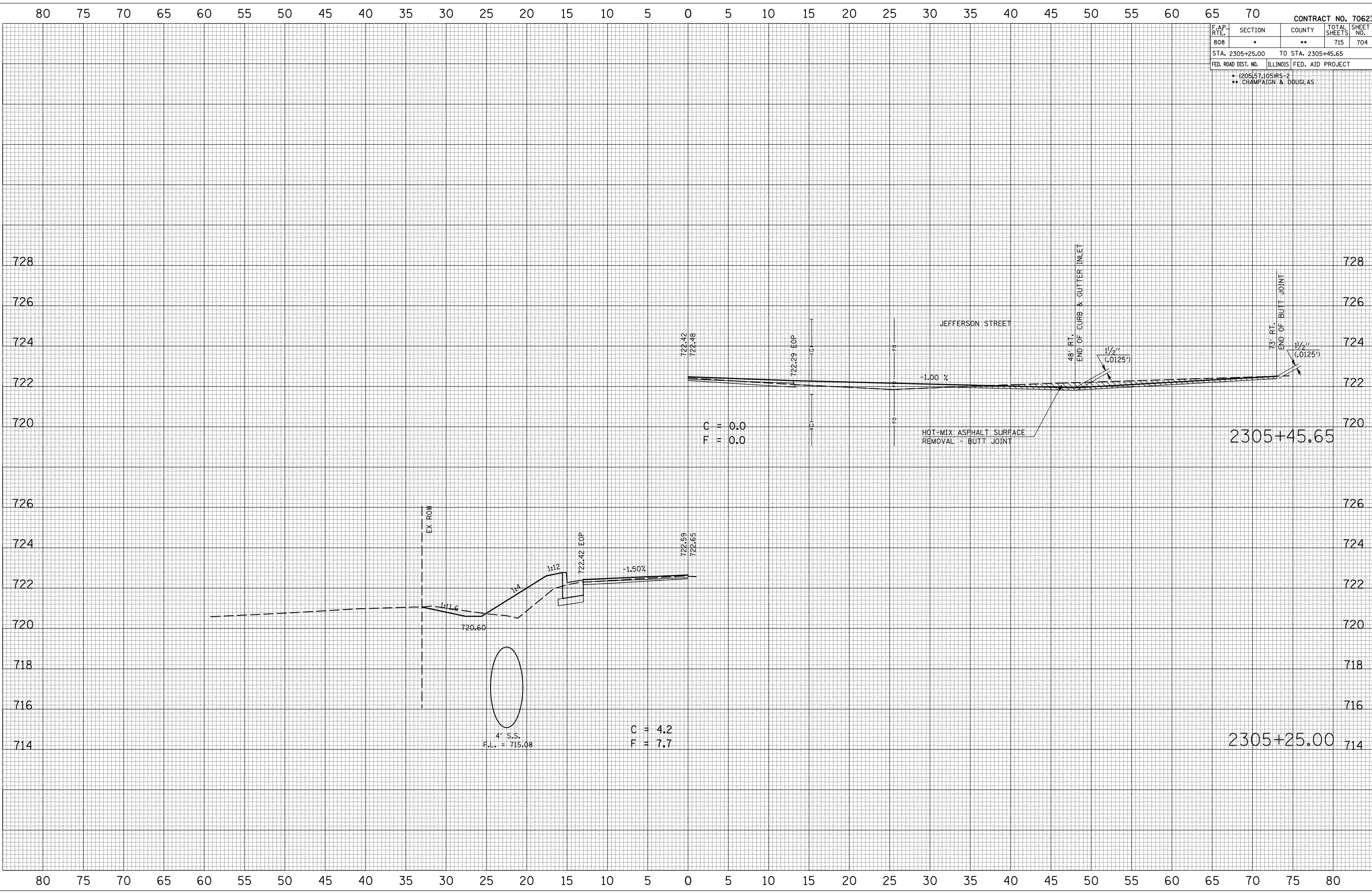


F.A.P. RTE.	SECTION	COUNTY	TOTAL SHEETS	SHEET NO.
808		**	715	704
STA. 2305+25.00		TO STA. 2305+45.65		
FED. ROAD DIST. NO. ILLINOIS FED. AID PROJECT				
* (205.57.105)RS-2				
** CHAMPAIGN & DOUGLAS				

BY	DATE
FINAL SURVEY	DATE
SURVEYED	DATE
PLOTTED	DATE
NOTE BOOK	NO.
AREAS CHECKED	NO.

BY	DATE
ORIGINAL SURVEY	DATE
SURVEYED	DATE
PLOTTED	DATE
NOTE BOOK	NO.
AREAS CHECKED	NO.

PLOT DATE = 8/1/2009
 FILE NAME = 1015582
 PLOT SCALE = 1" = 10.00'
 USER NAME = craigr

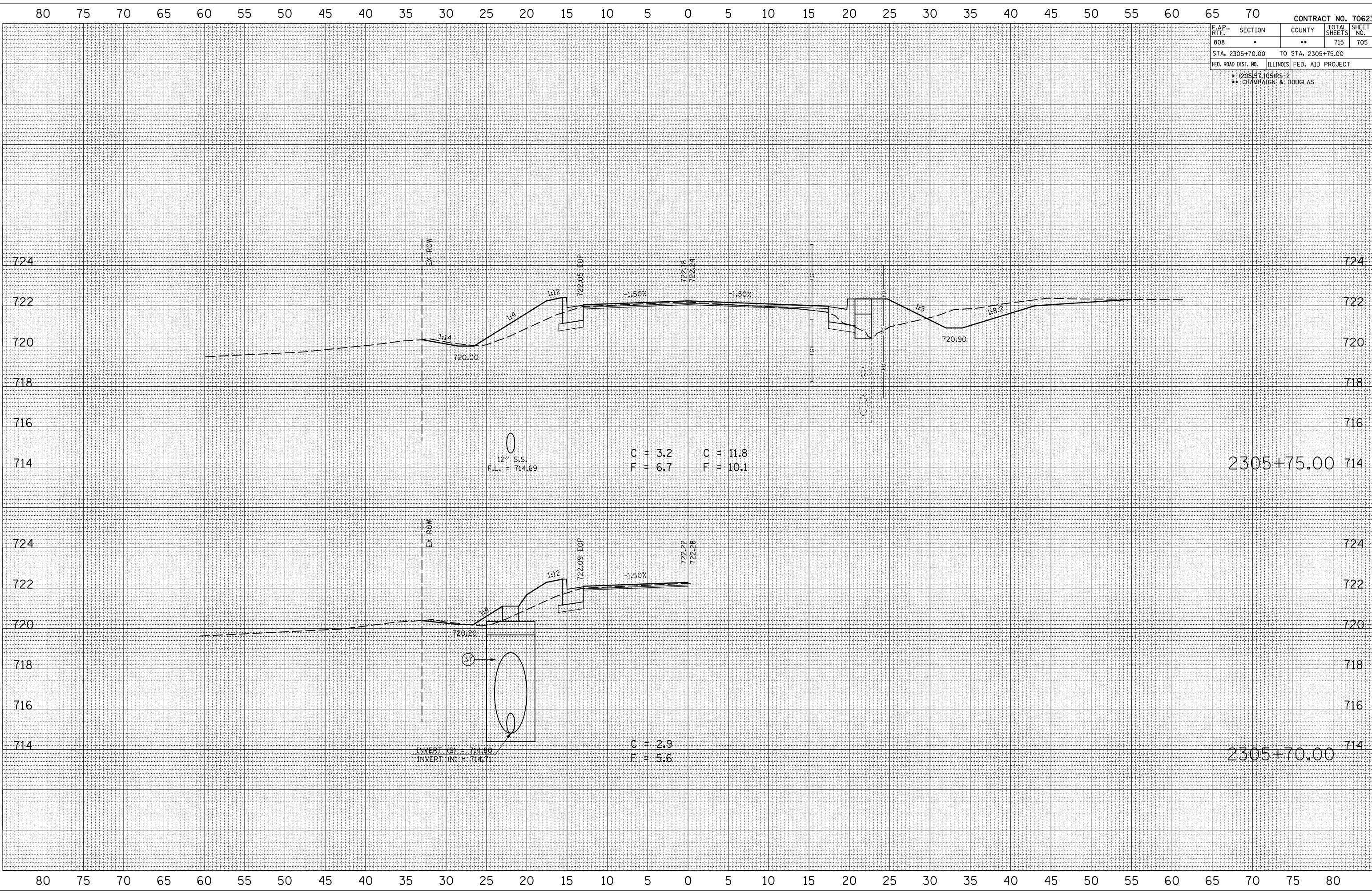


F.A.P. RTE.	SECTION	COUNTY	TOTAL SHEETS	SHEET NO.
808	•	••	715	705
STA. 2305+70.00 TO STA. 2305+75.00				
FED. ROAD DIST. NO. ILLINOIS FED. AID PROJECT				
• (205.57.105)RS-2 •• CHAMPAIGN & DOUGLAS				

BY _____ DATE _____
 SURVEYED _____ PLOTTED _____
 NOTE BOOK _____
 NO. _____

BY _____ DATE _____
 SURVEYED _____ PLOTTED _____
 NO. _____

PLOT DATE = 8/1/2009
 FILE NAME = I:\105682\Drawings\Drawings\2305+70.dwg
 PLOT SCALE = 1/8" = 1'-0"
 USER NAME = craigr



C = 3.2 C = 11.8
 F = 6.7 F = 10.1

2305+75.00

INVERT (S) = 714.80
 INVERT (N) = 714.71

C = 2.9
 F = 5.6

2305+70.00

F.A.P. RTE.	SECTION	COUNTY	TOTAL SHEETS	SHEET NO.
808		**	715	706

STA. 2305+85.00 TO STA. 2306+00.00
 FED. ROAD DIST. NO. ILLINOIS FED. AID PROJECT

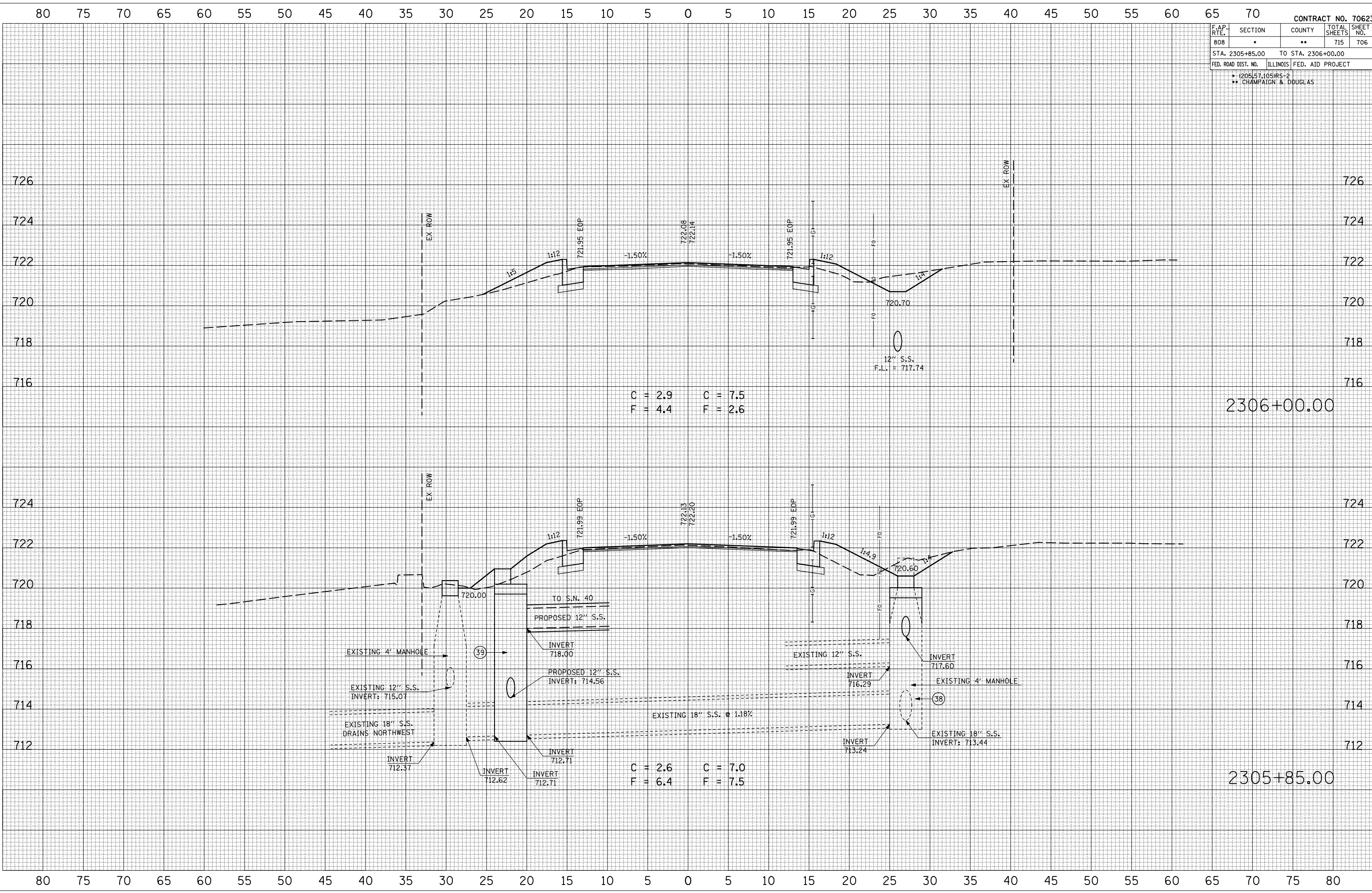
• (205.57.105)RS-2
 ** CHAMPAIGN & DOUGLAS

BY	DATE

FINAL SURVEY SURVEYED PLOTTED
 NOTE BOOK NO. AREAS CHECKED

BY	DATE

ORIGINAL SURVEY SURVEYED PLOTTED
 FILE NAME: \\s:\projects\2005\70623\70623.dwg
 PLOT SCALE: 1/8" = 1'-0"
 USER NAME: craige



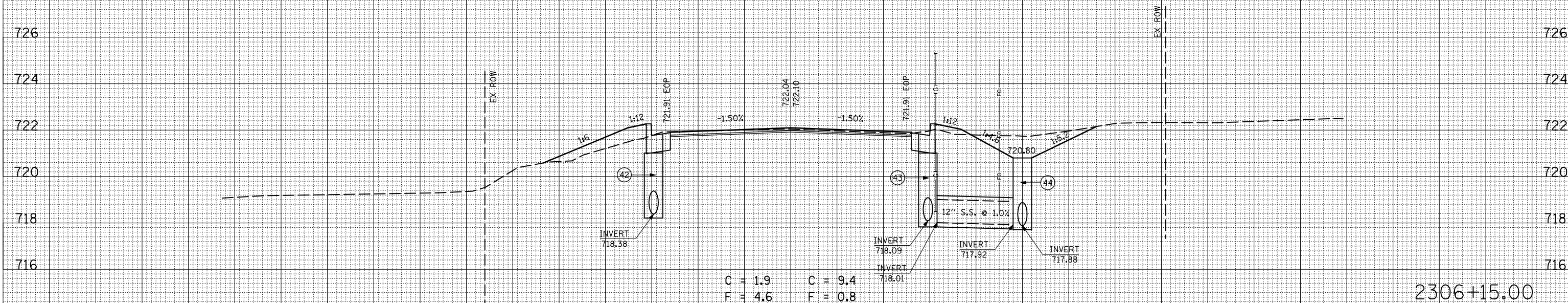
2306+00.00

2305+85.00

F.A.P. RTE.	SECTION	COUNTY	TOTAL SHEETS	SHEET NO.
808	.	**	715	707
STA. 2306+05.00		TO STA. 2306+15.00		
FED. ROAD DIST. NO.		ILLINOIS	FED. AID PROJECT	
* (205.57.105)RS-2 ** CHAMPAIGN & DOUGLAS				

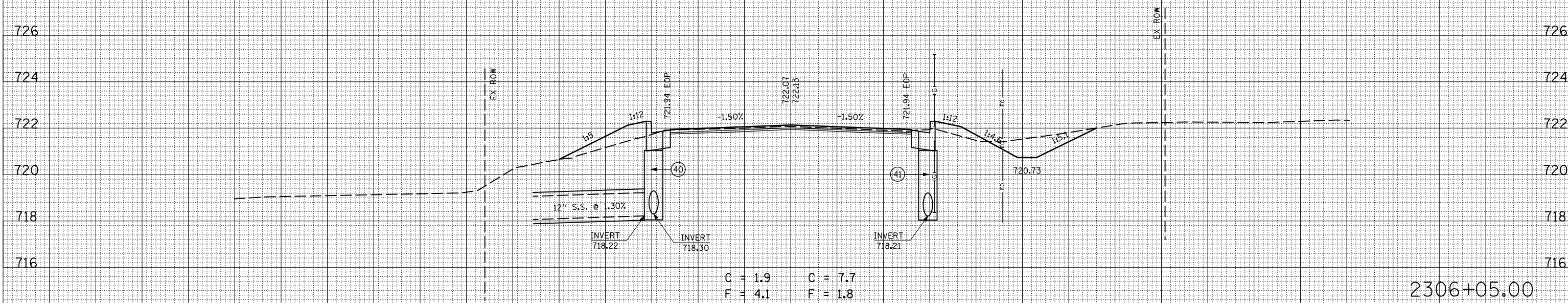
BY	DATE

NO.	AREAS CHECKED



BY	DATE

NO.	AREAS CHECKED



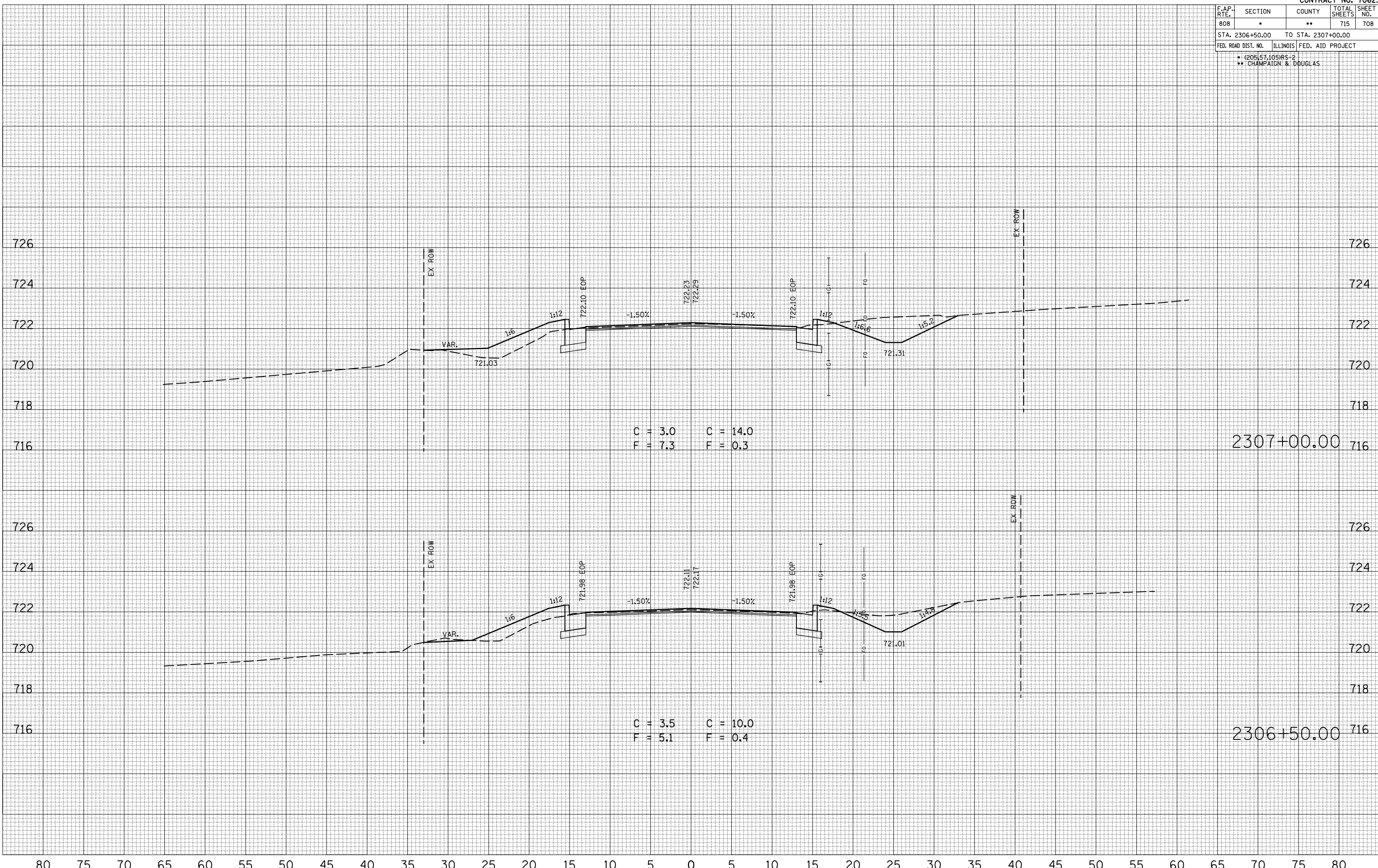
PLOT DATE = 8/1/2009
 FILE NAME = I:\105682\Drawings\2306\2306+05.00.dwg
 PLOT SCALE = 1/8" = 1'-0"
 USER NAME = craigr

F.A.P. RTE.	SECTION	COUNTY	TOTAL SHEETS	SHEET NO.
808	*	**	715	708
STA. 2306+50.00		TO STA. 2307+00.00		
FED. ROAD DIST. NO.		ILLINOIS FED. AID PROJECT		
* (205.57, 105)RS-2 ** CHAMPAIGN & DOUGLAS				

BY	DATE

BY	DATE

PLOT DATE = 8/1/2009
 FILE NAME = I:\10582\2307\230710\230710.dwg
 PLOT SCALE = 1/8"=1'-0"
 USER NAME = craigr



F.A.P. RTE.	SECTION	COUNTY	TOTAL SHEETS	SHEET NO.
808	*	**	715	709
STA. 2307+50.00		TO STA. 2308+00.00		
FED. ROAD DIST. NO.		ILLINOIS FED. AID PROJECT		
* (205.57, 105)RS-2				
** CHAMPAIGN & DOUGLAS				

BY	DATE

FINAL SURVEY	SURVEYED	PLOTTED	DATE

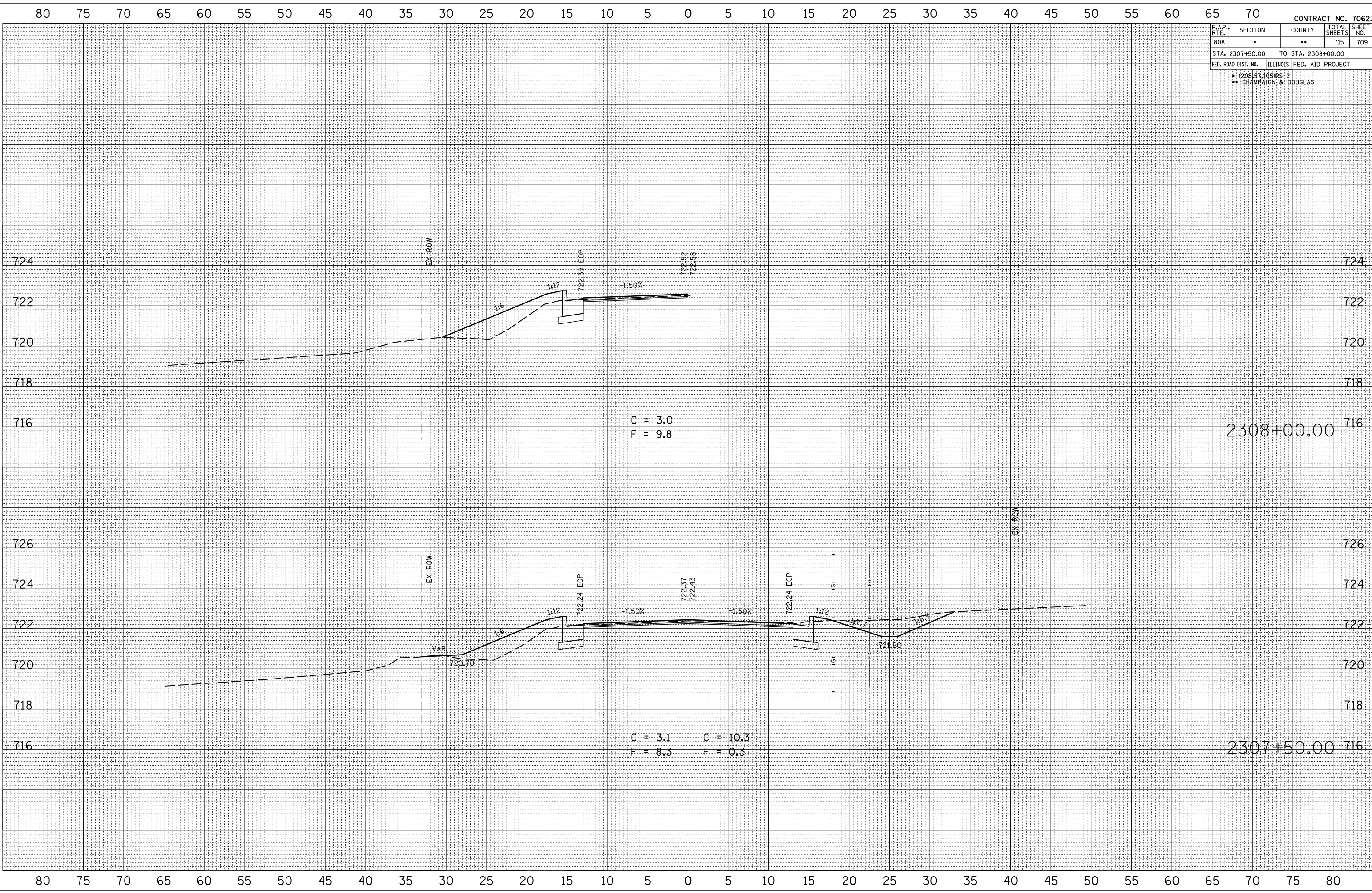
NO.	AREAS CHECKED

BY	DATE

ORIGINAL SURVEY	SURVEYED	PLOTTED	DATE

NO.	AREAS CHECKED

PLOT DATE = 8/1/2009
FILE NAME = I:\105682\105682.dwg
PLOT SCALE = 1/8" = 1'-0"
USER NAME = craigr



F.A.P. RTE.	SECTION	COUNTY	TOTAL SHEETS	SHEET NO.
808	*	**	715	711
STA. 2308+55.00		TO STA. 2309+00.00		
FED. ROAD DIST. NO.		ILLINOIS FED. AID PROJECT		
* (205.57, 105)RS-2 ** CHAMPAIGN & DOUGLAS				

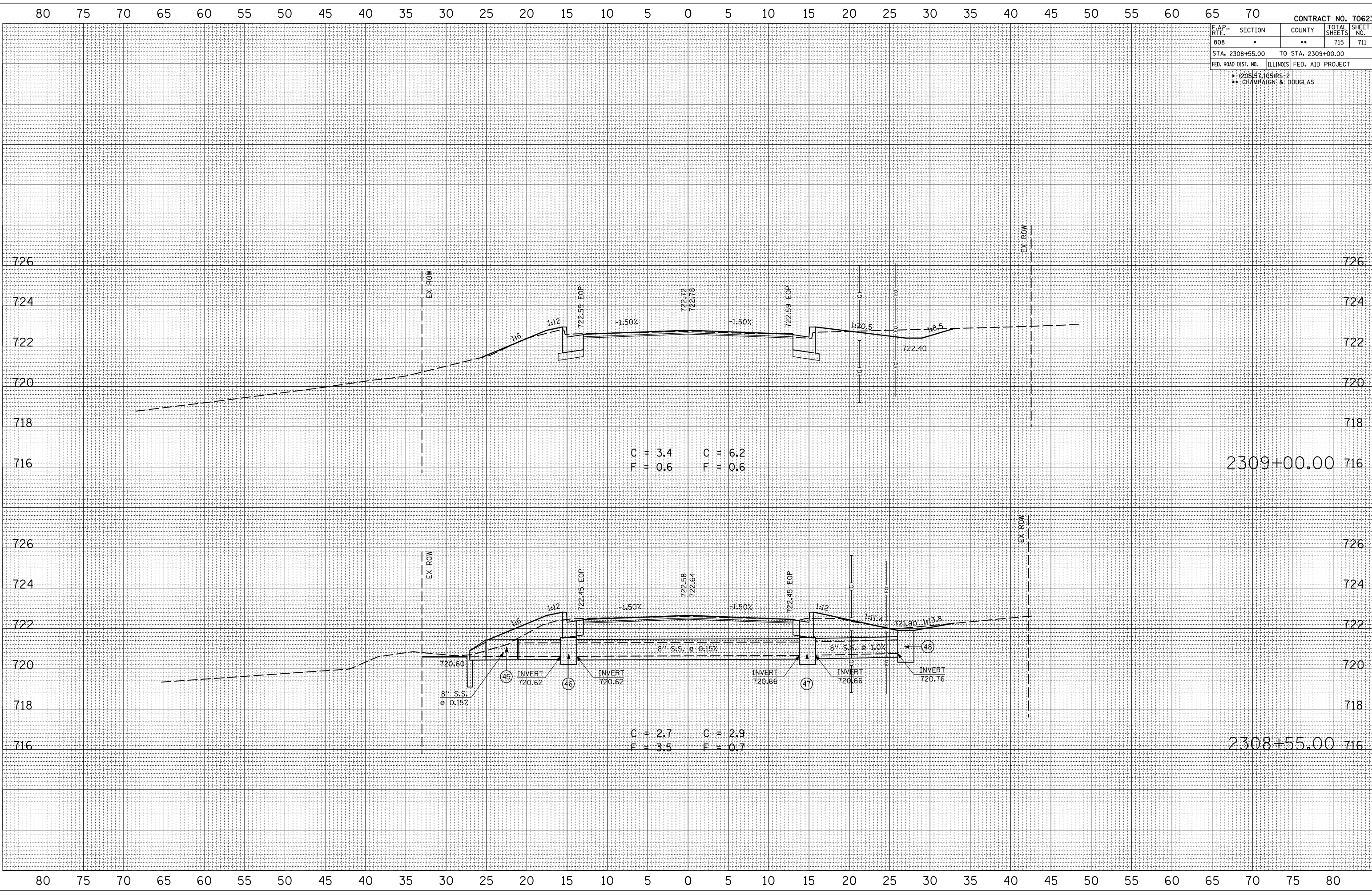
BY	DATE

NO.	AREAS CHECKED

BY	DATE

NO.	AREAS CHECKED

PLOT DATE = 8/1/2009
 FILE NAME = I:\10582\2308+55.00\2308+55.00.dwg
 PLOT SCALE = 1/8" = 1' IN.
 USER NAME = craigr



C = 3.4 C = 6.2
 F = 0.6 F = 0.6

C = 2.7 C = 2.9
 F = 3.5 F = 0.7

2309+00.00

2308+55.00

F.A.P. RTE.	SECTION	COUNTY	TOTAL SHEETS	SHEET NO.
808	*	**	715	712
STA. 2309+47.00		TO STA. 2310+00.00		
FED. ROAD DIST. NO.	ILLINOIS	FED. AID PROJECT		

• (205)57,105)RS-2
 ** CHAMPAIGN & DOUGLAS

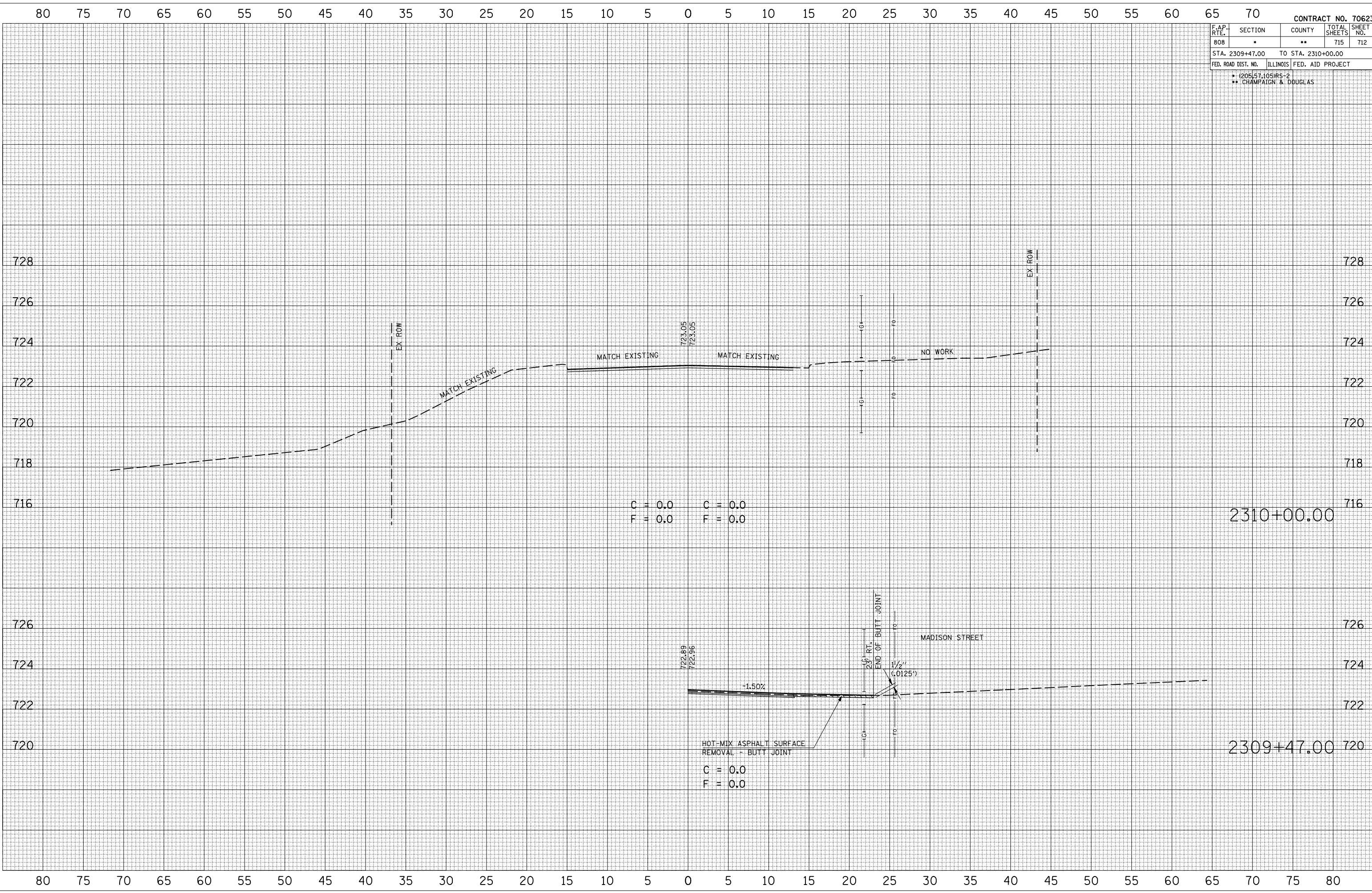
BY	DATE

NO.	DATE	BY

BY	DATE

NO.	DATE	BY

PLOT DATE = 8/1/2009
 FILE NAME = I:\105682\Drawings\2309+47\2309+47.dwg
 PLOT SCALE = 1/8"=1'-0"
 USER NAME = craigr



C = 0.0 C = 0.0
 F = 0.0 F = 0.0

HOT-MIX ASPHALT SURFACE
 REMOVAL - BUTT JOINT
 C = 0.0
 F = 0.0

23' RT.
 END OF BUTT JOINT
 1/2"
 (0.0125)

MADISON STREET

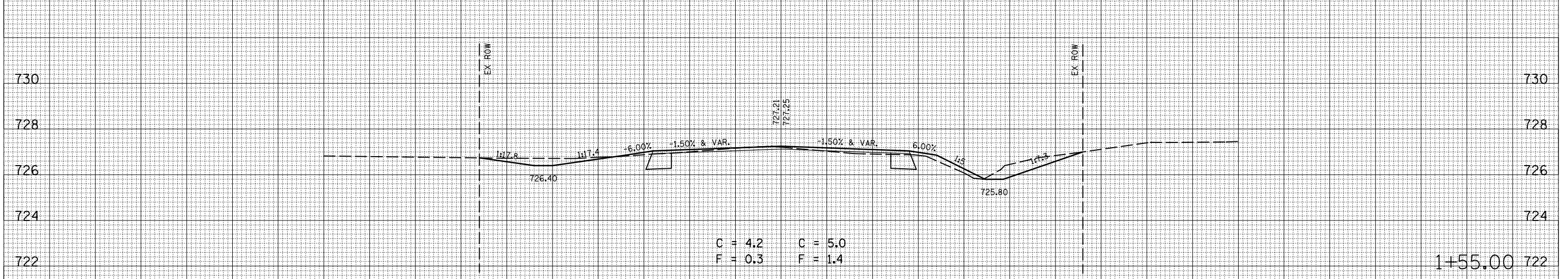
2310+00.00

2309+47.00

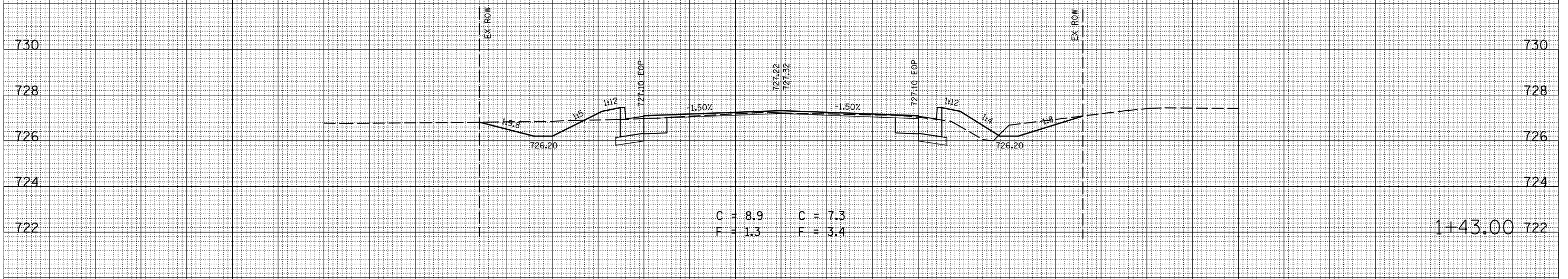
F.A.P. RTE.	SECTION	COUNTY	TOTAL SHEETS	SHEET NO.
808	*	**	715	713
STA. 1+43.00		TO STA. 1+55.00		
FED. ROAD DIST. NO.		ILLINOIS FED. AID PROJECT		
* 205157.105RS-2 ** CHAMPAIGN & DOUGLAS				

VAN BUREN STREET

DATE	
BY	
NO.	
FINISH SURVEY	NO.
SKIPPED SURVEY	NO.
PLOTTED SURVEY	NO.
FORM LATE	NO.
AREAS CHECKED	NO.



DATE	
BY	
NO.	
ORIGINAL SURVEY	NO.
SKIPPED SURVEY	NO.
PLOTTED SURVEY	NO.
FORM LATE	NO.
AREAS CHECKED	NO.



PLOT DATE = 6/4/2009
 PLOT SCALE = 1/8"=1'-0"
 USER NAME = cr-09

80 75 70 65 60 55 50 45 40 35 30 25 20 15 10 5 0 5 10 15 20 25 30 35 40 45 50 55 60 65 70

CONTRACT NO. 70623

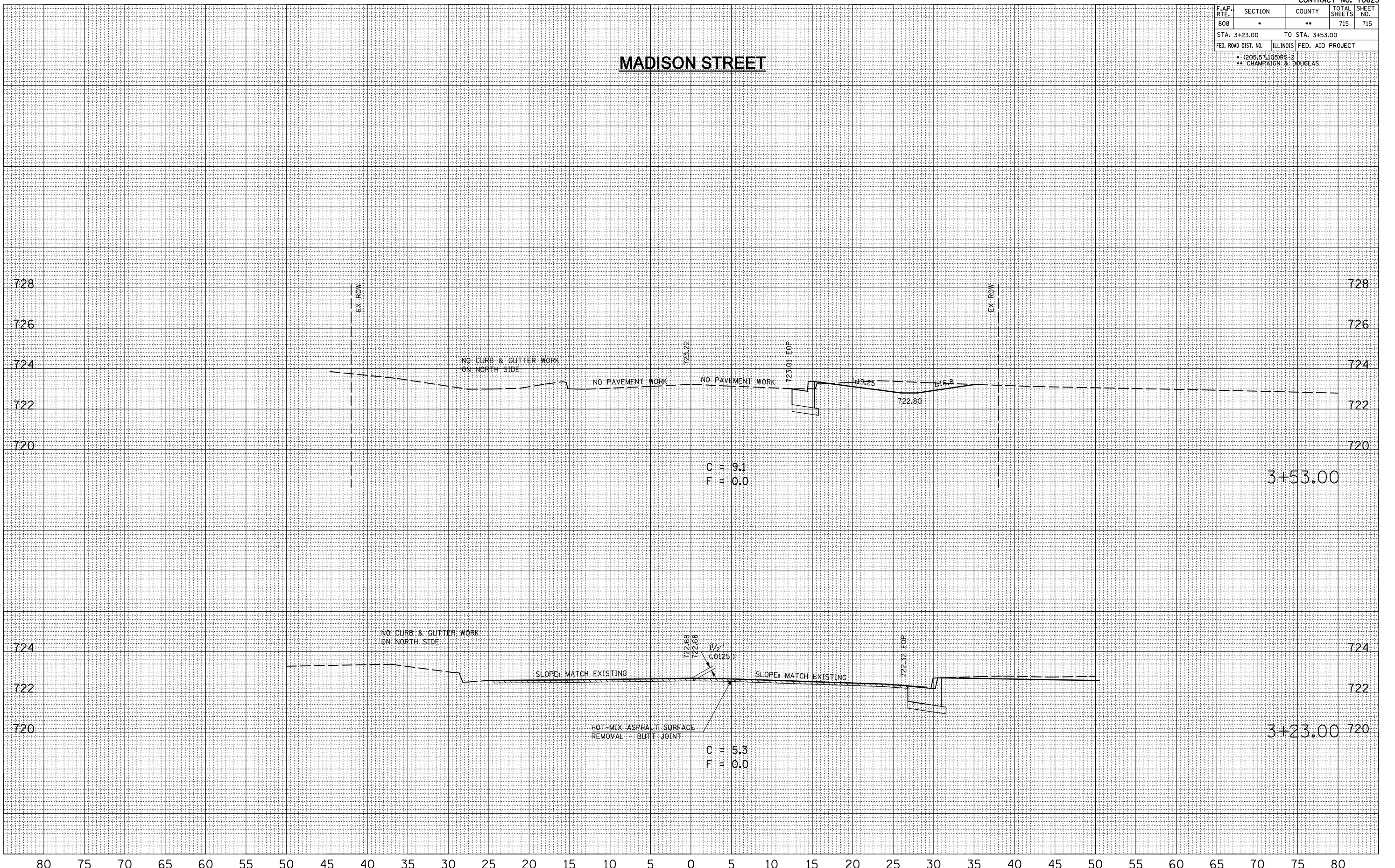
F.A.P. RTE.	SECTION	COUNTY	TOTAL SHEETS	SHEET NO.
808	*	**	715	715
STA. 3+23.00		TO STA. 3+53.00		
FED. ROAD DIST. NO. ILLINOIS FED. AID PROJECT				
* (205) 57.105(R)S-2 ** CHAMPAIGN & DOUGLAS				

MADISON STREET

DATE	BY

DATE	BY

PLOT DATE = 6/4/2009
 PLOT SCALE = 1/8"=1'-0"
 USER NAME = cr-ogr



80 75 70 65 60 55 50 45 40 35 30 25 20 15 10 5 0 5 10 15 20 25 30 35 40 45 50 55 60 65 70 75 80