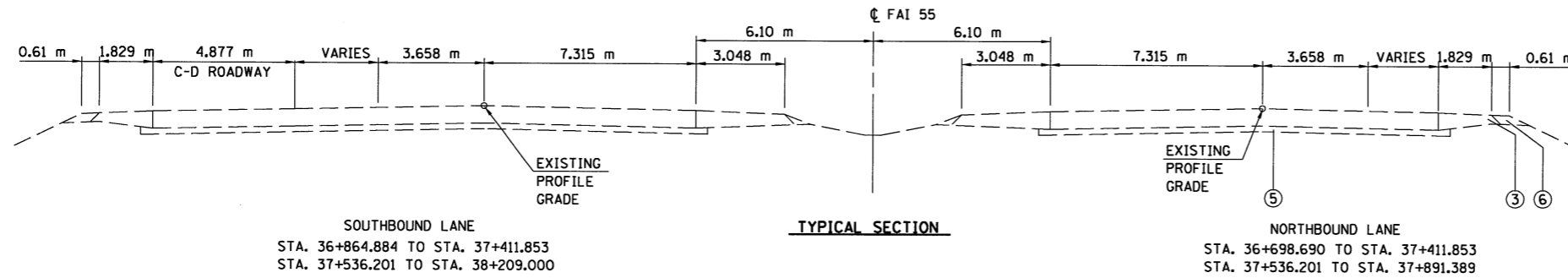
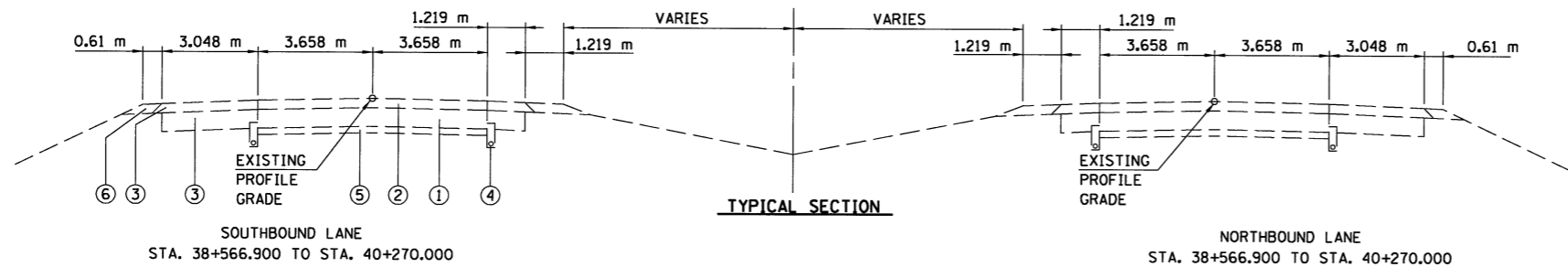


F.A.I. RTE.	SECTION	COUNTY	TOTAL SHEETS	SHEET NO.
55	*	MCLEAN	310	15
FED. ROAD DIST. NO.	ILLINOIS	FED. AID PROJECT		
* (57-4)R, HBY, HBR, (57-4VB)DM CONTRACT #70757				

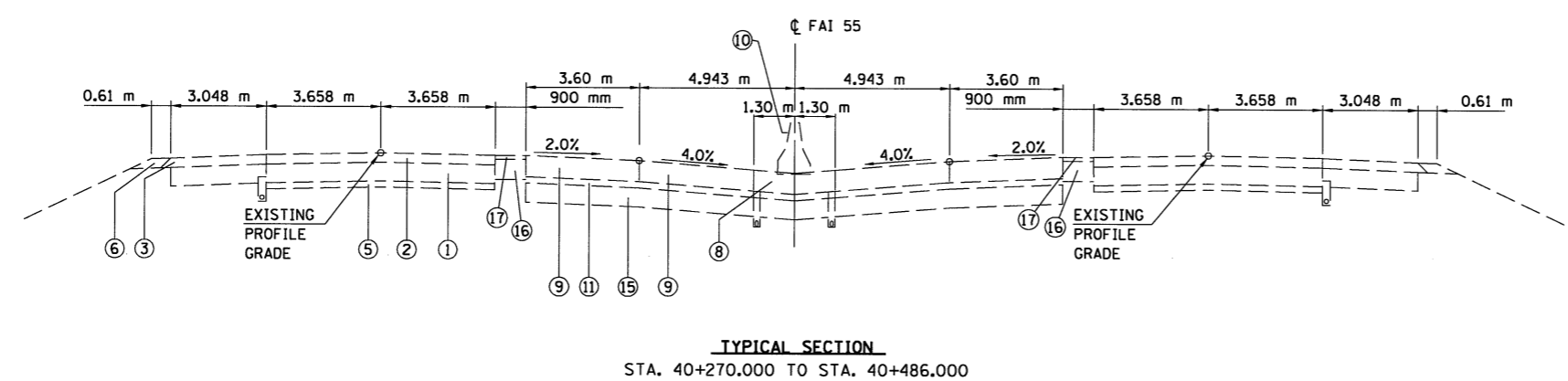


BRIDGE APPROACH OMISSIONS
 STA. 37+411.853 TO STA. 37+442.284
 STA. 37+505.589 TO STA. 37+536.201
 STA. 38+209.000 TO STA. 38+240.000
 STA. 38+286.600 TO STA. 38+316.590
 STA. 38+514.079 TO STA. 38+526.380
 STA. 38+560.800 TO STA. 38+566.900

BRIDGE OMISSIONS
 STA. 38+240.000 TO STA. 38+286.600
 STA. 38+526.380 TO STA. 38+560.800
 STA. 37+442.284 TO STA. 37+505.589



- LEGEND**
- ① EXISTING 254 mm P.C.C. PAVEMENT TO BE REMOVED
 - ② EXISTING OVERLAY TO BE REMOVED IN CONJUNCTION WITH 254 mm P.C.C. PAVEMENT
 - ③ EXISTING SHOULDER TO BE REMOVED (PAID FOR AS PAVED SHOULDER REMOVAL, SQUARE METERS)
 - ④ EXISTING PIPE UNDERDRAINS TO BE REMOVED (REMOVAL INCLUDED IN EARTH EXCAVATION)
 - ⑤ EXISTING SUB-BASE GRANULAR MATERIAL (REMOVAL INCLUDED IN EARTH EXCAVATION)
 - ⑥ EXISTING AGGREGATE SHOULDERS (REMOVAL INCLUDED IN EARTH EXCAVATION)
 - ⑦ NOT USED
 - ⑧ EXISTING PORTLAND CEMENT CONCRETE SHOULDERS 300 mm TO REMAIN
 - ⑨ EXISTING CONTINUOUSLY REINFORCED PORTLAND CEMENT CONCRETE PAVEMENT 300 mm TO REMAIN
 - ⑩ EXISTING TEMPORARY CONCRETE BARRIER TO BE REMOVED
 - ⑪ EXISTING STABILIZED SUB-BASE 100 mm TO REMAIN
 - ⑫ EXISTING LIME MODIFIED SOILS 300 mm TO REMAIN
 - ⑬ NOT USED
 - ⑭ NOT USED
 - ⑮ EXISTING POROUS GRANULAR EMBANKMENT, SUBGRADE 300 mm
 - ⑯ EXISTING HOT-MIX ASPHALT BASE COURSE
 - ⑰ EXISTING HOT-MIX ASPHALT SURFACE COURSE



NOTE: SEE PLANS FOR REMOVAL LIMITS.

ILLINOIS DEPARTMENT OF TRANSPORTATION
 F.A.I. 55
 SECTION (57-4)R, HBY, HBR, (57-4VB)DM
 MCLEAN COUNTY
**EXISTING TYPICAL SECTIONS
 I-55**

REVISIONS		JOB NO. 94S2063
NAME	DATE	
		DATE 8/17/2009

8/17/2009
4P/LE

LAYOUT	J.H.	04/03/03
DRAWN	J.H.	03/25/04
REVIEWED	D.H.	03/18/04