

**MAINTENANCE OF TRAFFIC
GENERAL NOTES**

CONTRACTOR SHALL MAINTAIN TWO THROUGH TRAFFIC LANES IN EACH DIRECTION THROUGH THE PROJECT AREA AT ALL TIMES UNLESS OTHERWISE NOTED.

CONTRACTOR SHALL PROVIDE ALL BARRIERS, VERTICAL PANELS, SIGNS AND DRUMS NECESSARY FOR THE MAINTENANCE OF TRAFFIC, UNLESS IDENTIFIED IN THE SPECIAL PROVISIONS.

CONTRACTOR SHALL PROVIDE ADEQUATE DRAINAGE AND EROSION PROTECTION DURING THE LENGTH OF THE PROJECT.

ALL WARNING SIGNS WILL BE BLACK LEGEND AND BORDER ON FLUORESCENT ORANGE BACKGROUND. ALL WARNING SIGNS SHALL HAVE MINIMUM DIMENSIONS OF 1.22 M X 1.22 M.

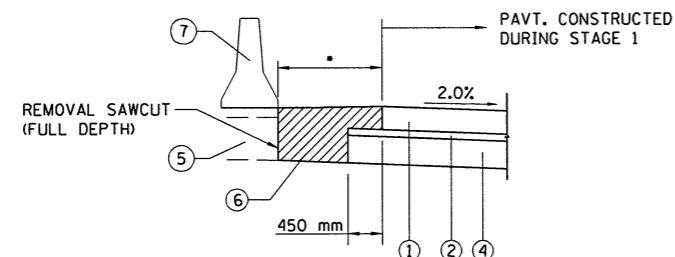
CONTRACTOR MAY CONSTRUCT STAGE 3 PRIOR TO CONSTRUCTING STAGE 2.

VERTICAL PANELS SHALL BE INSTALLED BEHIND GUARDRAIL AND MOUNTED ON BRIDGE RAILING WHERE APPLICABLE.

MESSAGE SIGNS SHALL BE LOCATED AS DIRECTED BY THE ENGINEER. THEY SHALL BE INSTALLED TWO WEEKS PRIOR TO BEGINNING CONSTRUCTION AND REMAIN UNTIL CONSTRUCTION IS COMPLETE.

THE BIKE PATH SHALL NOT BE CLOSED AT THE OLD RAILROAD STRUCTURE UNTIL NEW BIKE PATH WITH TEMPORARY CONNECTIONS TO LINDEN STREET ARE COMPLETE.

TRAFFIC WILL NOT BE ALLOWED TO CROSS OVER THE MEDIAN DRAINAGE STRUCTURES DURING THE PROJECT. WHEN STAGE 2 AND 3 CONSTRUCTION ARE IN PROGRESS AND TRAFFIC IS UTILIZING THE INSIDE DRIVING LANES, THE DRAINAGE STRUCTURE GRATES SHALL BE REMOVED AND COVERED. ONE ALTERNATIVE IS TO PLACE A SHEET OF STRUCTURAL STEEL IN THE INLET RIM WITH HOT-MIX ASPHALT PLACED TO THE TOP OF THE INLET FLUSH WITH THE DRIVING SURFACE. CONTRACTOR MAY SUBMIT OTHER ALTERNATIVES FOR THIS WORK BUT MUST HAVE APPROVAL OF THE ENGINEER PRIOR TO PERFORMING THE WORK. THE CONTRACTOR WILL BE RESPONSIBLE FOR MAINTAINING THE INLETS UNDER TRAFFIC. WHEN STAGE CONSTRUCTION IS SHIFTED FROM STAGE 2 TO 3, THE CONTRACTOR WILL BE RESPONSIBLE FOR COVERING THE STAGE 3 INLETS AND BRINGING THE STAGE 2 INLETS BACK INTO OPERATION. CONTRACTOR IS ALSO RESPONSIBLE FOR RESTORING THE STAGE 3 INLETS UPON COMPLETION OF STAGE 3. THIS WORK WILL NOT BE PAID FOR SEPARATELY BUT SHALL BE INCLUDED IN THE CONTRACT UNIT PRICE LUMP SUM FOR TRAFFIC CONTROL COMPLETE.



DETAIL E

(CONSTRUCT AT THE END OF STAGE 1 AFTER CRC PAVEMENT IS COMPLETED)

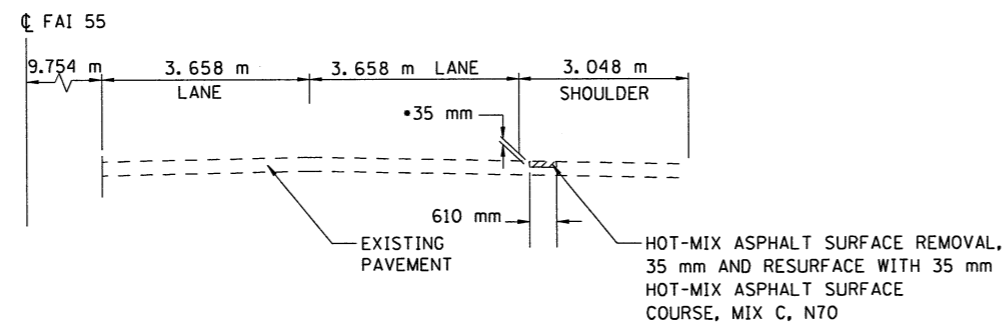
- 1.211 m FOR NARROW WORK ZONE
- 0.900 m FOR WIDE WORK ZONE

CONSTRUCTION OF DETAIL E IN THE FOLLOWING LOCATIONS IS TO PROVIDE ACCESS TO ENTRANCE & EXIT RAMP DURING STAGE 2 (N.B.L.)

- STA. 36+612.530 TO STA. 36+852.378 N.B.L.
- STA. 36+952.933 TO STA. 37+105.208 N.B.L.
- STA. 37+382.595 TO STA. 37+442.400 N.B.L.
- STA. 38+073.618 TO STA. 38+303.567 N.B.L.

CONSTRUCTION OF DETAIL E IN THE FOLLOWING LOCATIONS IS TO PROVIDE WIDER SOUTHBOUND TRAFFIC LANES DURING STAGE 2.

- STA. 36+500.000 TO STA. 38+526.000 S.B.L.
- STA. 38+526.000 TO STA. 40+275.000 S.B.L.



PRE-STAGE SHOULDER REHABILITATION TYPICAL SECTION

- FILLING IN RUMBLE STRIP FROM STATION 38+560 TO STATION 40+320 NORTHBOUND AND SOUTHBOUND.

**MAINTENANCE OF TRAFFIC
SUGGESTED CONSTRUCTION SEQUENCE**

F.A.I. RTE.	SECTION	COUNTY	TOTAL SHEETS	SHEET NO.
55		MCLEAN	310	65
FED. ROAD DIST. NO. ILLINOIS			FED. AID PROJECT	
* (57-4)R, HBY, HBR, (57-4V)DM CONTRACT #70757				

LINDEN STREET

1. COMPLETE LINDEN STREET IMPROVEMENTS EXCEPT FOR THE HOT-MIX ASPHALT SURFACE COURSE AND 2.4 M SHOULDERS.

PRE-STAGE

1. COMPLETE MAINLINE REPAIRS AND SHOULDER WORK AS SHOWN BY THE PRE-STAGE SHOULDER REHABILITATION DETAIL USING TRAFFIC CONTROL STANDARD 701401 (ALL WORK TO BE COMPLETED AT NIGHT FOR LANE CLOSURES).
2. IN ORDER TO AVOID TEMPORARY SIGNING WHEN THE SIGN TRUSS ARE REMOVED, FOUNDATIONS FOR SIGNS ON THE OUTSIDE OF BOTH NORTHBOUND AND SOUTHBOUND TRAFFIC LANE SHALL BE CONSTRUCTED AS PART OF PRE-STAGE WORK. THIS WILL ALLOW THE NEW SIGNS TO BE CONSTRUCTED PRIOR TO REMOVAL OF THE EXISTING SIGNS.

STAGE 1

1. SAWCUT PAVEMENT IN THE NORTHBOUND AND SOUTHBOUND I-55 LANES.
2. PLACE THE TEMPORARY CONCRETE BARRIER, REMOVE THE EXISTING PAVEMENT MARKING, STRIPE THE PAVEMENT AND RELOCATE THE TRAFFIC AS SHOWN.
3. REMOVE PORTION OF EXISTING INSIDE SHOULDERS.
4. REMOVE THE WEST PORTION OF THE NORTHBOUND SPCSL STRUCTURES AND THE EAST PORTION OF THE SOUTHBOUND SPCSL STRUCTURES.
5. REMOVE AND CONSTRUCT THE WEST PORTION OF THE NORTHBOUND LINDEN STREET AND BUSINESS 51 STRUCTURES AND THE EAST PORTION OF THE SOUTHBOUND LINDEN STREET AND BUSINESS 51 STRUCTURES.
6. CONSTRUCT THE STORM SEWER, THE INLETS IN THE MEDIAN, THE INSIDE SHOULDERS, AND THE INSIDE PAVEMENT LANES. DO NOT CONSTRUCT THE INSIDE SHOULDER RUMBLE STRIPS.
7. PLACE HOT-MIX ASPHALT BASE COURSE IN THE GAP BETWEEN THE NEW AND THE EXISTING PAVEMENT ON THE NORTHBOUND AND SOUTHBOUND LANES. FOR STATION TO STATION SEE DETAIL E ON THIS SHEET.

STAGE 2

1. RELOCATE ALL TEMPORARY CONCRETE BARRIER TO ITS STAGE 2 LOCATION, STRIPE THE PAVEMENT, AND SHIFT NORTHBOUND TRAFFIC TO THE INSIDE TRAFFIC LANES.
2. REMOVE THE EXISTING NORTHBOUND PAVEMENT AND SHOULDER. AT ALL RAMP AREAS STANDARD 701411 SHALL BE USED FOR TRAFFIC CONTROL.
3. REMOVE THE EAST PORTION OF THE NORTHBOUND SPCSL STRUCTURE.
4. REMOVE AND CONSTRUCT THE EAST PORTION OF THE NORTHBOUND LINDEN STREET STRUCTURE.
5. CONSTRUCT THE OUTSIDE SHOULDER AND TRAFFIC LANES, INCLUDING PAVEMENT TRANSITIONS.
6. PLACE THE TEMPORARY CONCRETE BARRIER ON THE INSIDE TRAFFIC LANE AS SHOWN, STRIPE THE PAVEMENT, AND RELOCATE NORTHBOUND TRAFFIC TO THE OUTSIDE TRAFFIC LANES.

STAGE 3

1. CONSTRUCT SOUTHBOUND LANES SIMILAR TO STAGE 2.
2. REMOVE THE WEST PORTION OF THE SOUTHBOUND SPCSL STRUCTURE.
3. REMOVE AND CONSTRUCT THE WEST PORTION OF THE SOUTHBOUND LINDEN STREET STRUCTURE.

STAGE 4

1. REMOVE THE TEMPORARY PAVEMENT MARKING ON THE INSIDE PAVEMENT LANES.
2. CONSTRUCT THE NORTHBOUND AND SOUTHBOUND INSIDE SHOULDER RUMBLE STRIPS.
3. PLACE THE CONCRETE BARRIER AT THE CENTERLINE.
4. COMPLETE HOT-MIX ASPHALT SURFACE COURSE, SHOULDERS, AND COMPLETE FINAL GRADING ON LINDEN STREET.
5. COMPLETE RESTORATION.

NOTE: SEE LINDEN ST MOT TYPICALS FOR CONSTRUCTION SEQUENCE OF LINDEN ST AND BIKE PATH.

ILLINOIS DEPARTMENT OF TRANSPORTATION
F.A.I. 55
SECTION (57-4)R, HBY, HBR, (57-4V)DM
MCLEAN COUNTY

**MAINTENANCE OF TRAFFIC
CONSTRUCTION SEQUENCE**

REVISIONS	
NAME	DATE



JOB NO. 94S2063

DATE 7/23/2009

LAYOUT	JH	03/02/04
DRAWN	JH	03/02/04
REVIEWED	DLH	03/18/04

7/23/2009
#FILE*