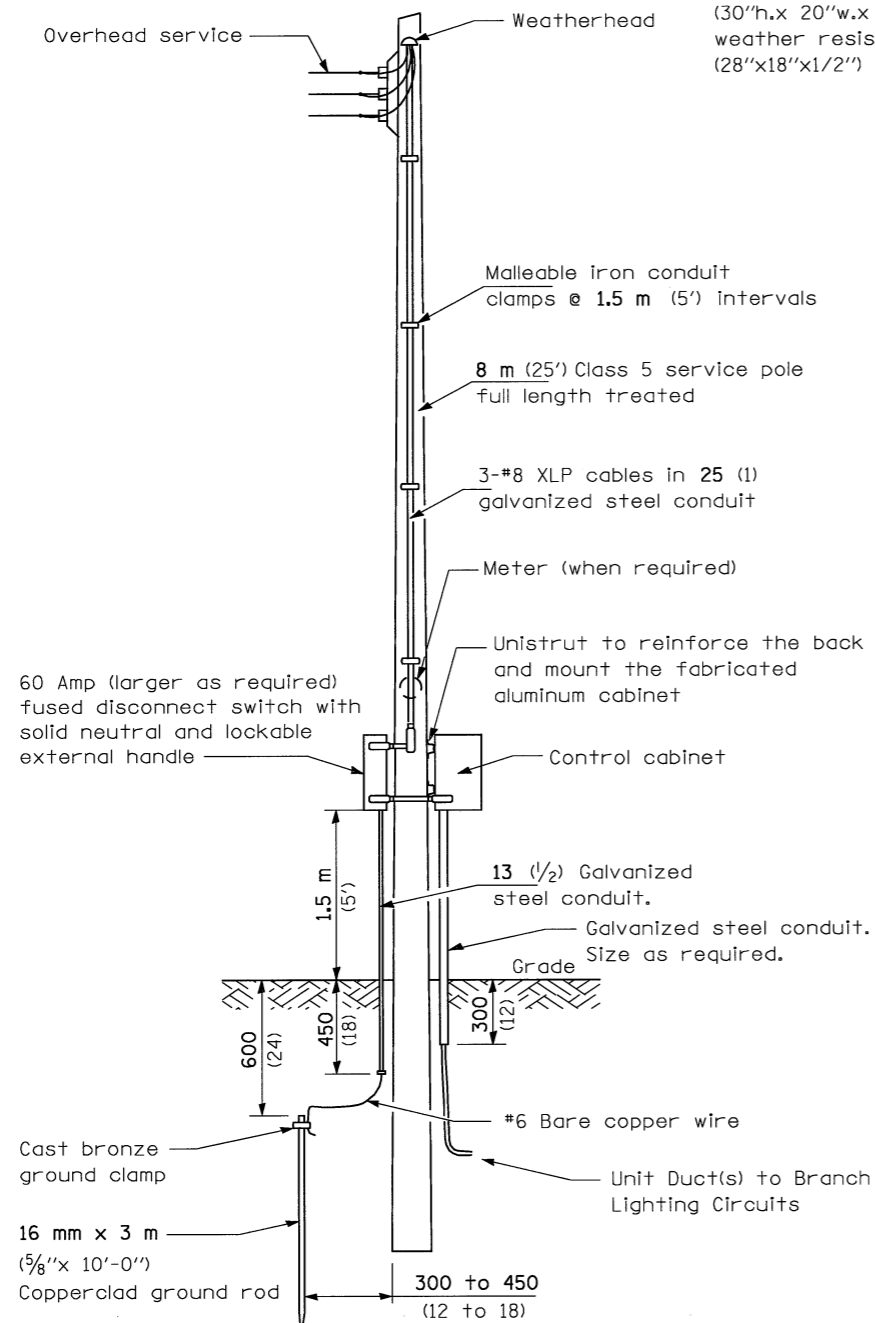
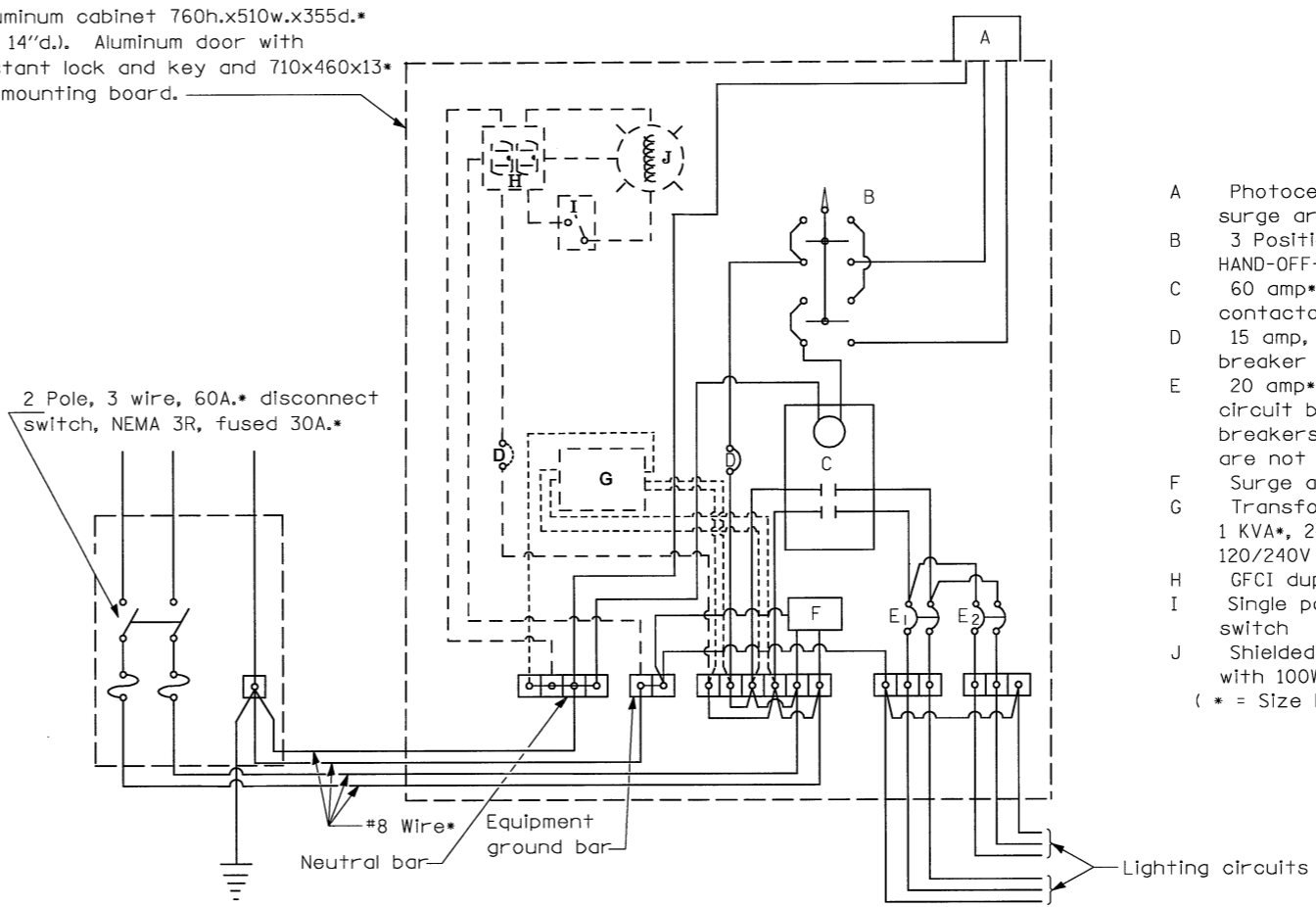


120/240V., 1 PHASE, 3 WIRE SERVICE



**SERVICE POLE**

Fabricated aluminum cabinet 760h.x510w.x355d.\* (30"h.x 20"w.x 14"d.). Aluminum door with weather resistant lock and key and 710x460x13\* (28"x18"x1/2") mounting board.



**DISCONNECT SWITCH**

**PHOTOCELL RELAY**

- A Photocell with integral surge arrester
  - B 3 Position selector switch HAND-OFF-AUTO
  - C 60 amp\* electrically held contactor
  - D 15 amp, 1 pole, circuit breaker
  - E 20 amp\*, 2 pole, branch circuit breaker. Two spare breakers are required but are not shown
  - F Surge arrester
  - G Transformer (see notes), 1 KVA\*, 240/480V primary, 120/240V sec, single phase
  - H GFCI duplex receptacle
  - I Single pole, single throw switch
  - J Shielded security fixture with 100W lamp
- (\* = Size larger as needed)

**GENERAL NOTES**

Wiring shall be panel board fashion. All bends shall be right angles. All runs shall be vertical or parallel to panel board. Wires shall be grouped or laced.

All control installation components shall be U.L. listed.

Label equipment ground and neutral.

Locate service pole and control installation adjacent to R.O.W. line with a minimum distance of 9 m (30') from the edge of pavement. Exact location shall be established by the Engineer.

The total distance between the control installation and primary transformer shall not exceed 76 m (250').

For 480 V service, a step down transformer (dashed lines) is required.

Add receptacle, light, and switch in control cabinet, when specified.

All dimensions are in millimeters (Inches) unless otherwise shown.

- 240 V. SERVICE
- 480 V. SERVICE

Corrected 1/19/06  
1/17/08 Service disconnect  
2/3/08 SA wiring, cabinet notes

**CONTROL INSTALLATION  
Service Pole Mounted**

REVISIONS	
NAME	DATE

JOB NO.  
94S2063  
DATE  
8/21/2009

8/21/2009 #FLC

LAYOUT	JJH
DRAWN	JJH
REVIEWED	DLH 10/19/04