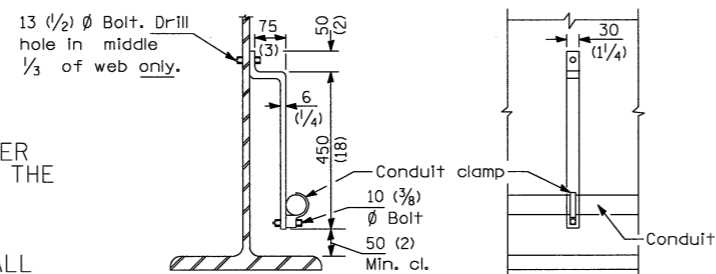


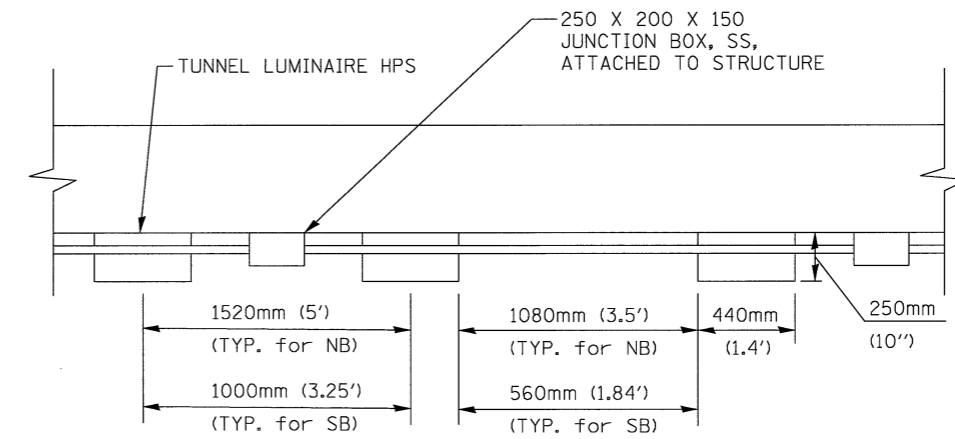
**DETAIL B**  
(TUNNEL LIGHTING ELECTRICAL DETAIL)

**NOTES**

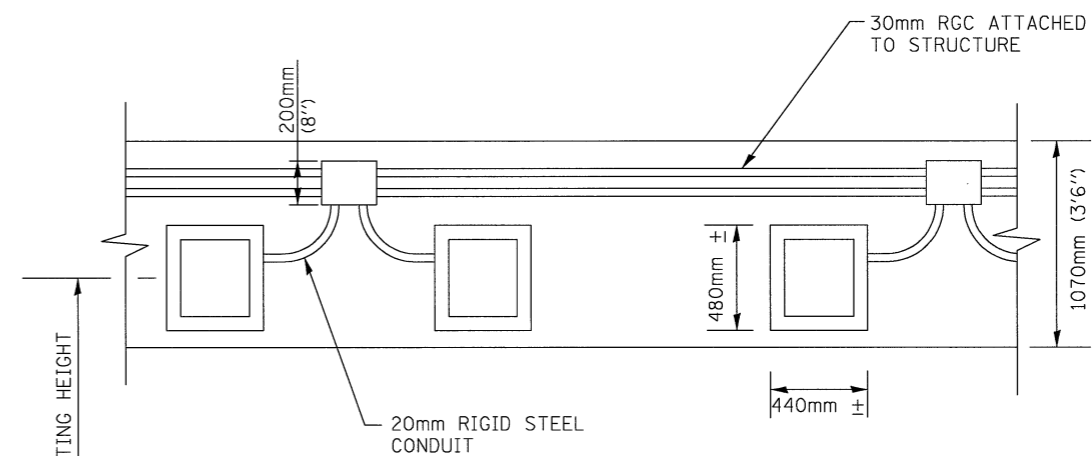
1. CONDUIT TO BE MOUNTED TO BRIDGE BEAM USING A HANGER BRACKET SYSTEM APPROVED BY THE ENGINEER.
2. CONDUIT MOUNTING SYSTEM SHALL BE STAINLESS STEEL



**CONDUIT SUPPORT BRACKET**



**ELEVATION**



**PLAN**

**DETAIL A**

**NOTES**

1. TUNNEL LUMINAIRE TO BE MOUNTED TO THE PIER STRUCTURE USING UNISTRUT OR SIMILAR MOUNTING SYSTEM TO BE APPROVED BY THE ENGINEER.
2. MOUNTING SYSTEM SHALL BE STAINLESS STEEL
3. DISTANCES AS CALLED OUT ARE APPROXIMATE

REVISIONS	
NAME	DATE

TUNNEL LIGHTING  
ELECTRICAL DETAIL



JOB NO.  
94S2063  
DATE  
10/6/2009

LAYOUT	JLH	DLH
DRAWN	JLH	DLH
REVIEWED	JLH	DLH

10/16/2009  
#FILE#