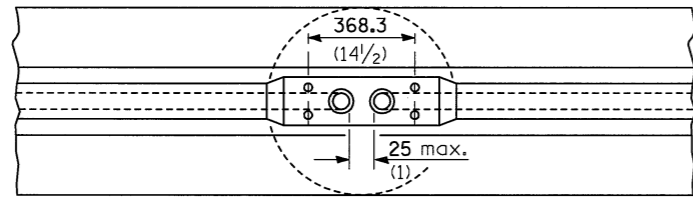
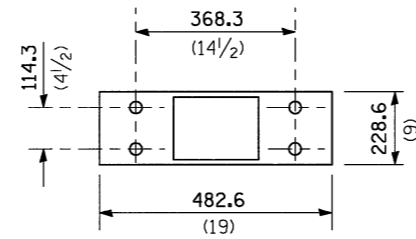


F.A.I. RTE.	SECTION	COUNTY	TOTAL SHEETS	SHEET NO.
55	•	MCLEAN	310	121 I
FED. ROAD DIST. NO.	ILLINOIS	FED. AID PROJECT		
• (57-4)R, HBY, HBR, (57-4VB)DM CONTRACT #70757				



PLAN



BASE PLATE

(To be furnished w/light pole)

228.6x482.6x6 (9x19x1/4)
Temporary steel plate template

180 Threaded (7)

368.3x114.3 ctrs. (14 1/2 x 4 1/2)

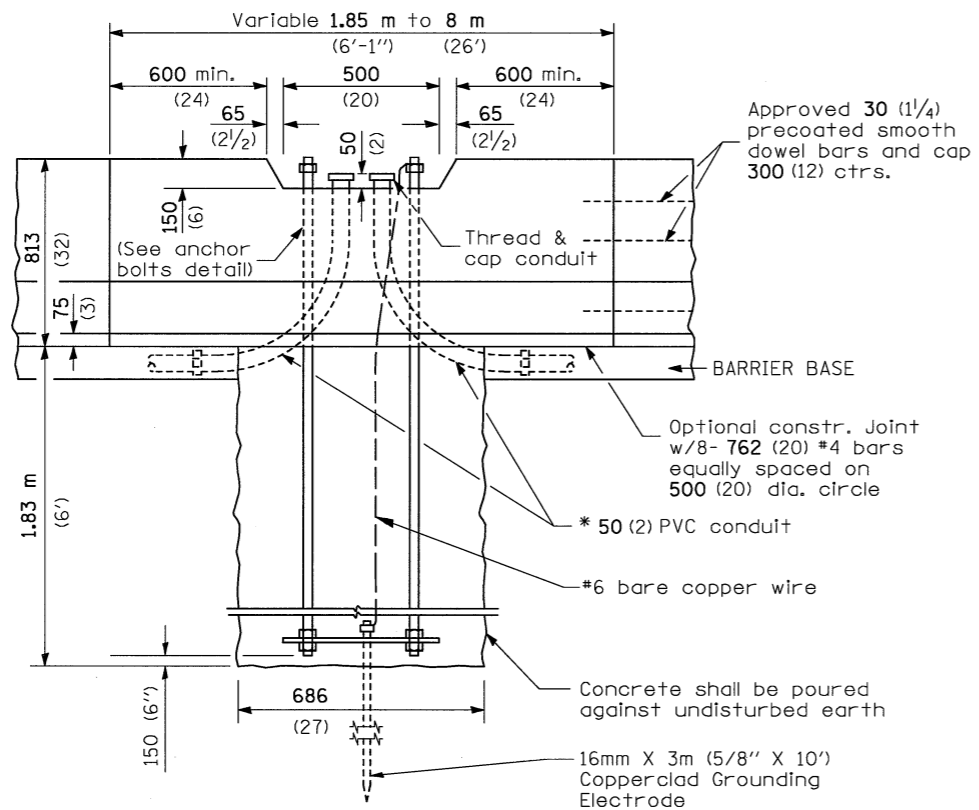
Hex nuts (8 required)

30 (1 1/4) Ø high strength steel anchor bolts
Rectangular centers (4 required)
thread shall be protected (nuts & washers included)

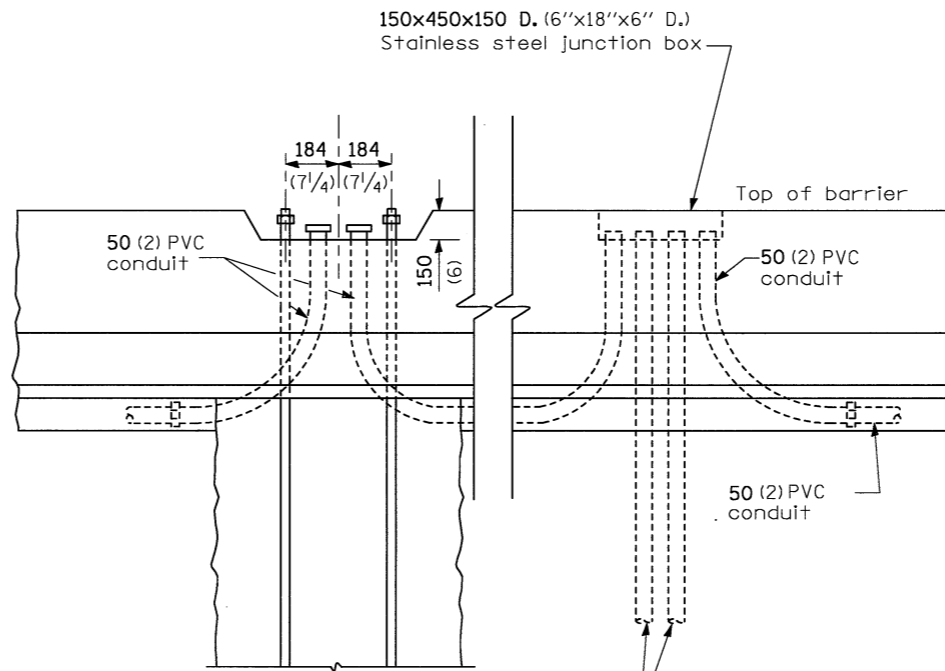
Hex nuts (8 required)

228.6x482.6x6 (9x19x1/4)
Galv. Steel plate template

ANCHOR BOLTS DETAIL



ELEVATION AT LIGHT POLE SUPPORT



ELEVATION

GENERAL NOTES

- A rigid template of the pole base shall be used to ensure rectangular centers of 114.3 mm x 368.3 mm (4 1/2" x 14 1/2").
- The light pole base at the top of the barrier shall be cast level in a horizontal plane.
- * Not more than two 50 mm (2") Ø conduit openings (or one 75 mm (3") Ø conduit) at the pole base permitted (see plan for requirements).
- The contractor shall furnish protection for exposed anchor bolt threads.
- All anchor bolts shall be supplied with nuts, flatwashers and lockwashers.
- PROJECT SPECIFIC NOTE:
This foundation configuration shall apply to 5 poles on the east end of the project.

LAYOUT	JMH	
DRAWN	JMH	
REVIEWED	DUH	03/18/04

All dimensions are in millimeters (inches) unless otherwise shown.

REVISIONS	
NAME	DATE

POLE MOUNTING ON MEDIAN BARRIER	
JOB NO.	94S2063
DATE	10/6/2009