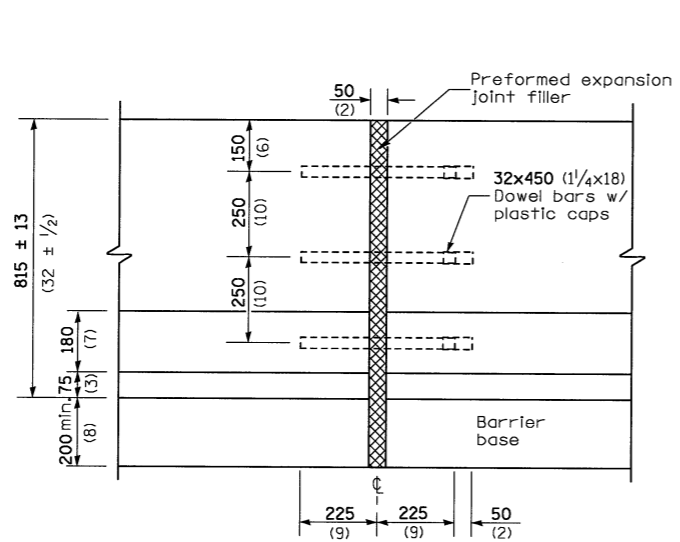
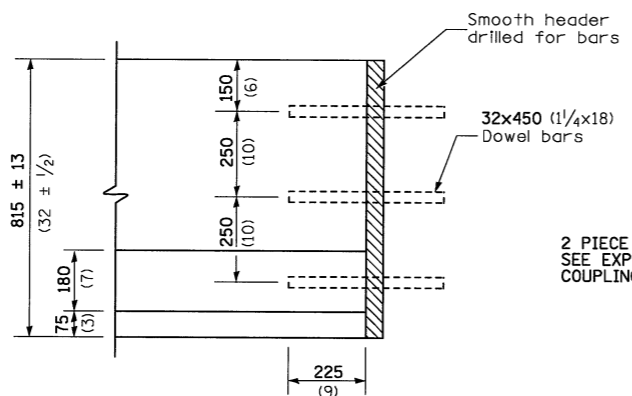


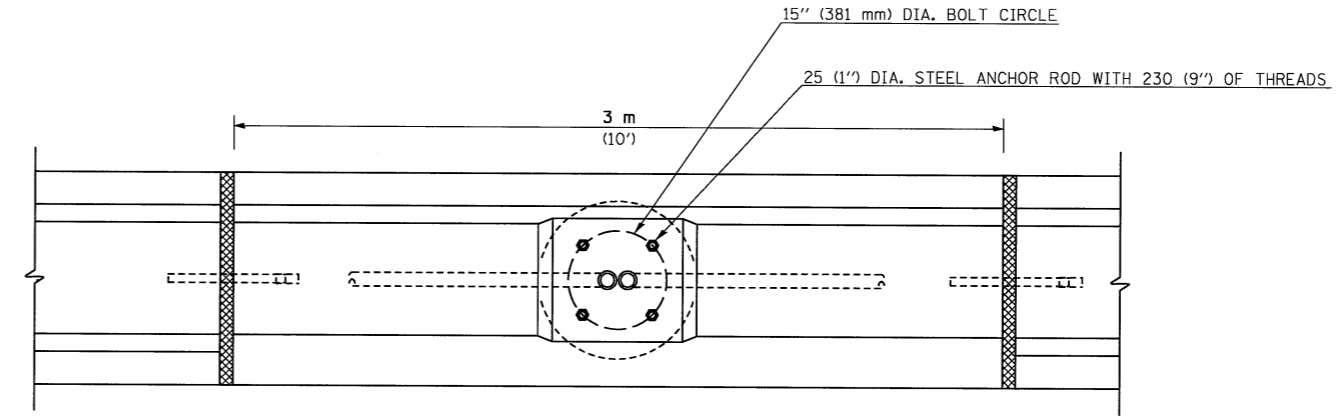
F.A.I. RTE.	SECTION	COUNTY	TOTAL SHEETS	SHEET NO.
55	*	MCLEAN	310	121J
FED. ROAD DIST. NO. ILLINOIS		FED. AID PROJECT		
* (57-4R, HBY, HBR, (57-4VB)DM CONTRACT #70757				



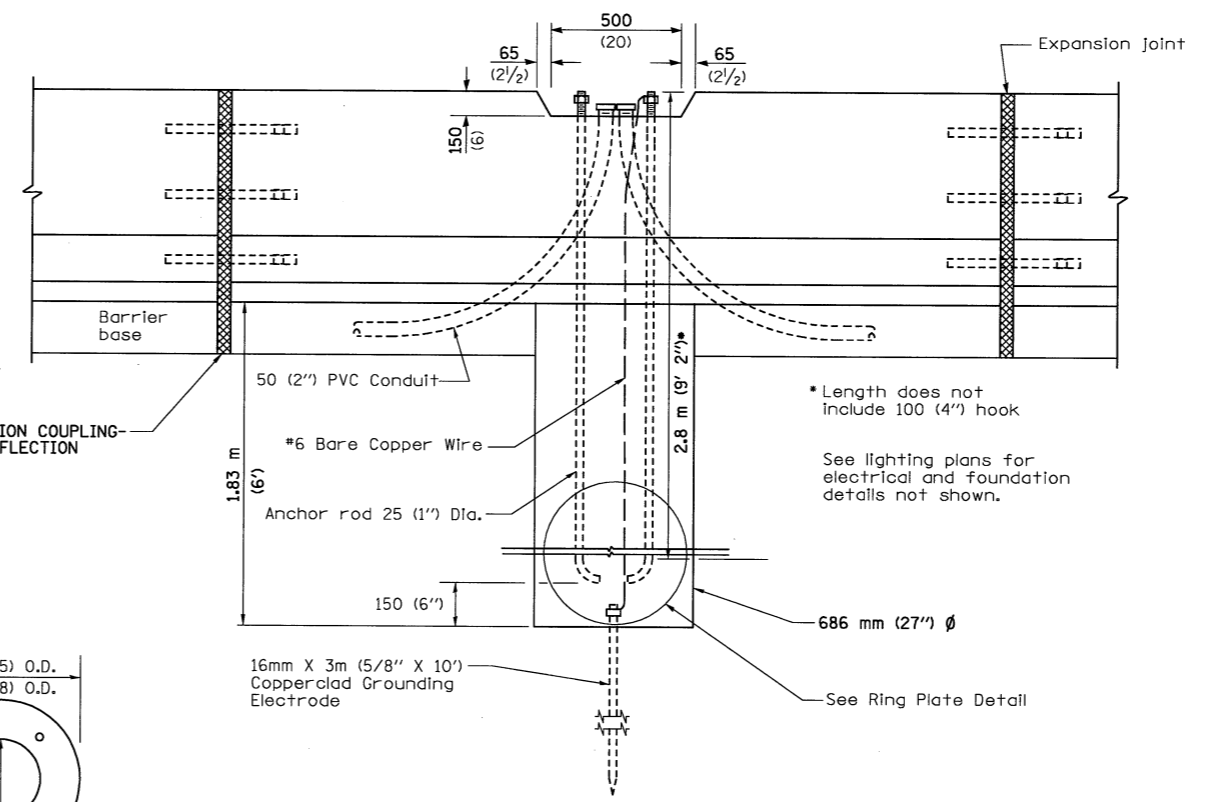
EXPANSION JOINT



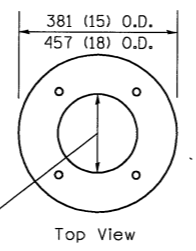
CONSTRUCTION JOINT



PLAN AT LIGHTING FOUNDATION



ELEVATION AT LIGHTING FOUNDATION



RING PLATE DETAIL

(When rock is encountered and foundation is shallower)

* Length does not include 100 (4") hook
See lighting plans for electrical and foundation details not shown.

All dimensions are in millimeters (inches) unless otherwise shown.

ILLINOIS DEPARTMENT OF TRANSPORTATION
F.A.I. 55
SECTION (57-4R, HBY, HBR, (57-4VB)DM
MCLEAN COUNTY
**LIGHT POLE AT
MEDIAN FOUNDATION BARRIER**

REVISIONS	
NAME	DATE

HANSON
JOB NO. 94S2063
DATE 10/6/2009

10/6/2009 #FILE#

LAYOUT	DOT	DOT	DLH	05/19/04
DRAWN	DOT	DOT	DLH	05/19/04
REVIEWED	DLH	DLH	DLH	05/19/04