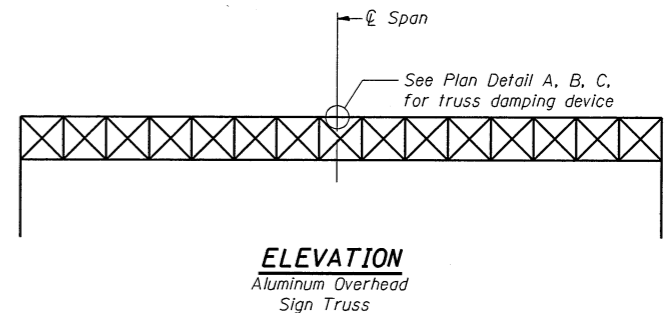
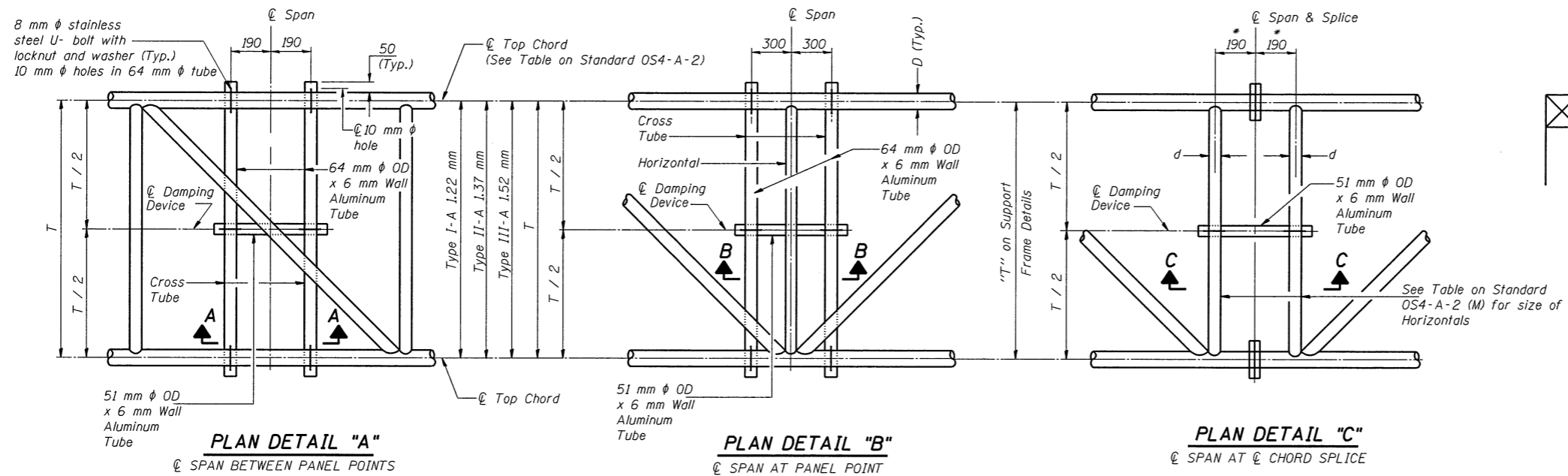


ROUTE NO.	SECTION	COUNTY	TOTAL SHEETS	SHEET NO.	SHEET NO. 2 24 SHEETS
F. A. I. RTE. 55		McLEAN	310	134	
FED. ROAD DIST. NO. 7	ILLINOIS	FED. AID PROJECT	Contract No. 70757 •(57-4) R, HBY, HBR, (57-4VB) DM		

* Center of horizontal to center of splice dimension may vary. Verify before drilling holes in mounting tube.

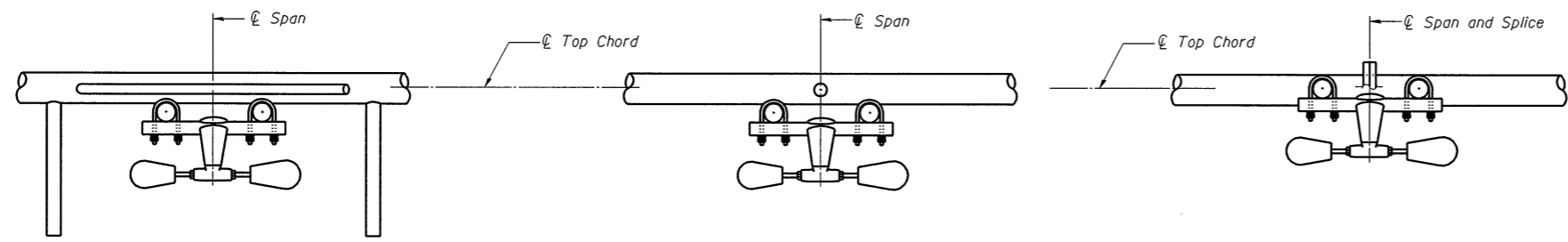


NOTES

Damper: One damper per truss.
29" Minimum between ends of weights
(14 Kg Stockbridge-Type Aluminum)
Cost included in "Overhead Sign Structure..."

Materials: Aluminum tubes shall be ASTM B221M alloy 6061 Temper T6. Cost included in "Overhead Sign Structure..."

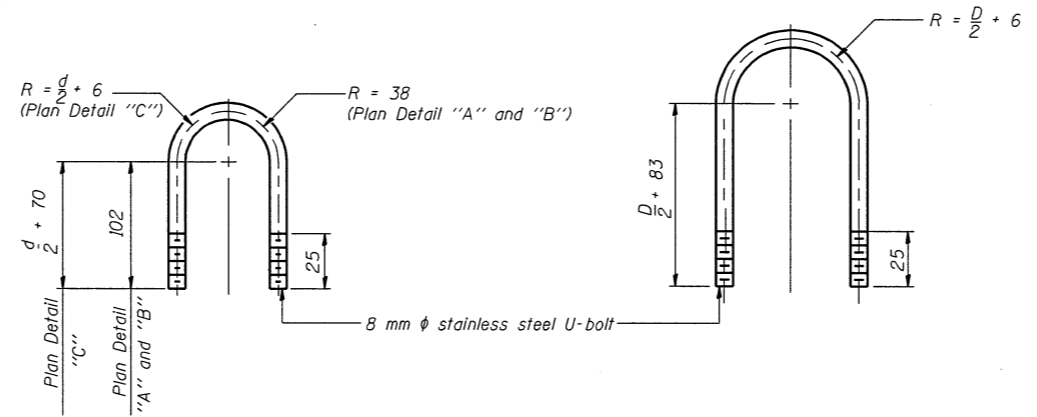
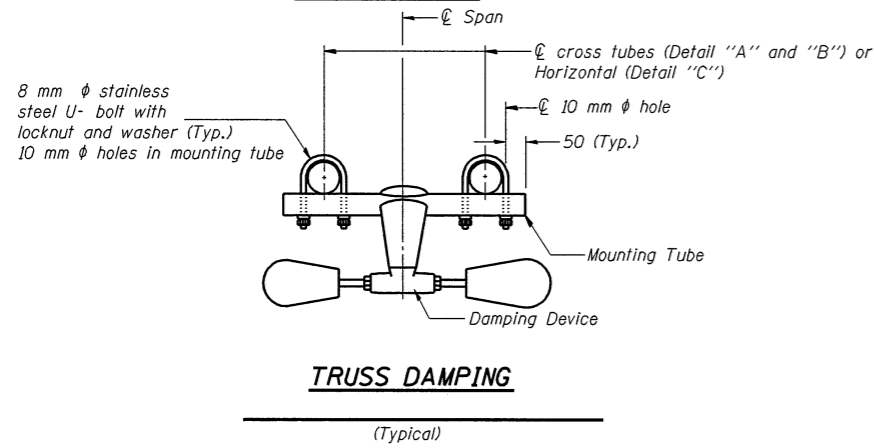
All dimensions are in millimeters (mm) except as noted



SECTION A-A

SECTION B-B

SECTION C-C



SHEET TITLE		OVERHEAD SIGN STRUCTURE DAMPING DEVICE	
PROJECT	F.A.I. 55 SECTION (57-4)R, HBY, HBR, (57-4VB)DM McLEAN COUNTY	PROJECT NO.	9450
SCALE		DATE	10/08/04
DRAWN BY	TFG	CHECKED BY	MCB
COOMBE-BLOXDORF P.C. Engineers / Land Surveyors Springfield, Illinois		DRAWING NO.	2
Design Firm License No. 184-002703		OF 24 SHTS	

7/8/2009
\$FILE.ABBREV\$