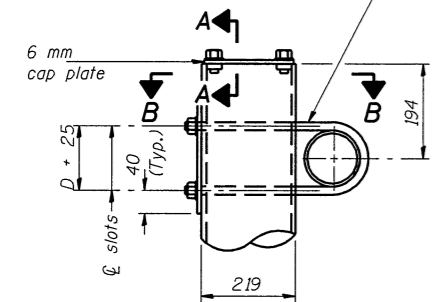
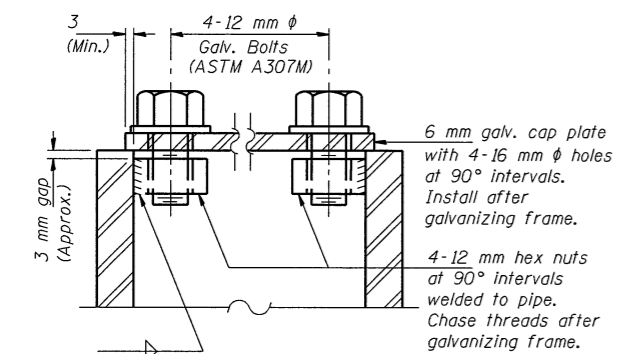


19 mm ϕ stainless steel U-bolt
 Provide two washers and two hexagon locknuts. (4)
 21 mm x 51 mm slots on ϕ DN 200 pipe.
 (4 slots required per pipe)

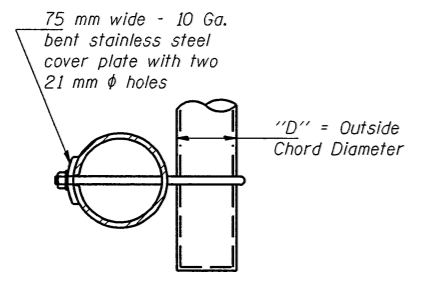


DETAIL A

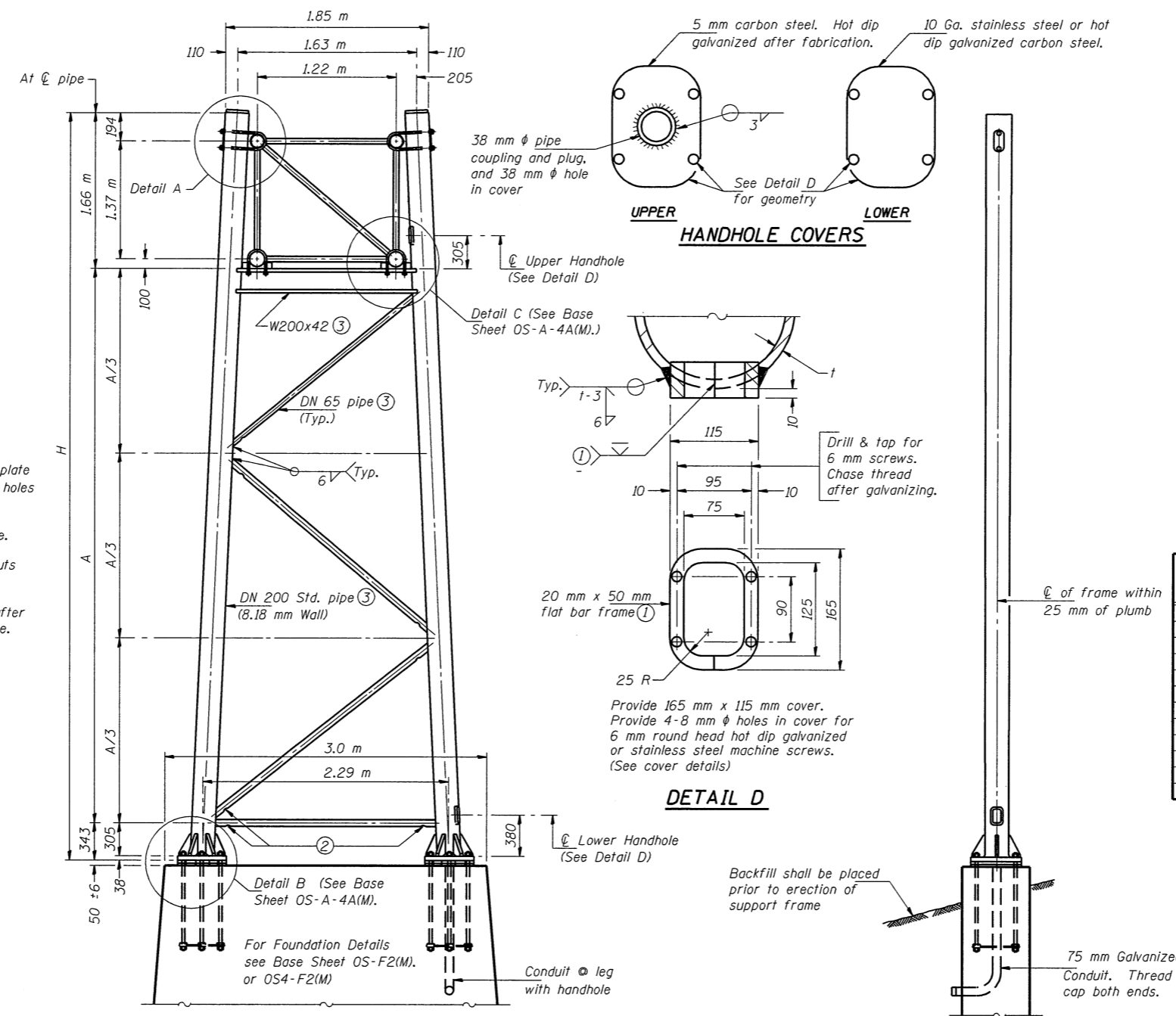


SECTION A-A

As an alternate to bolts, may use galvanized drive-fit caps installed after galvanizing frame.

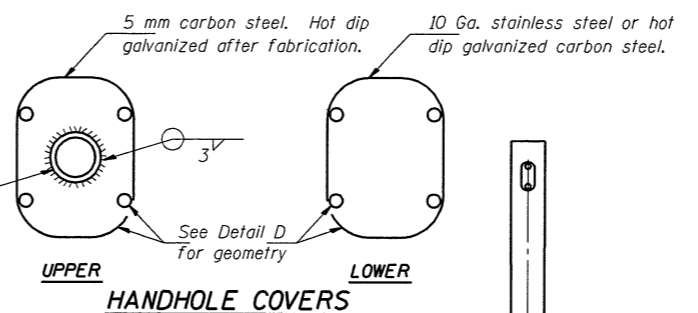


SECTION B-B

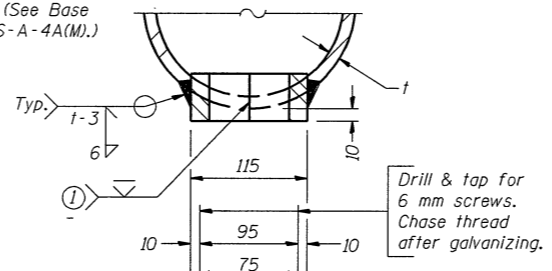


SIDE ELEVATION

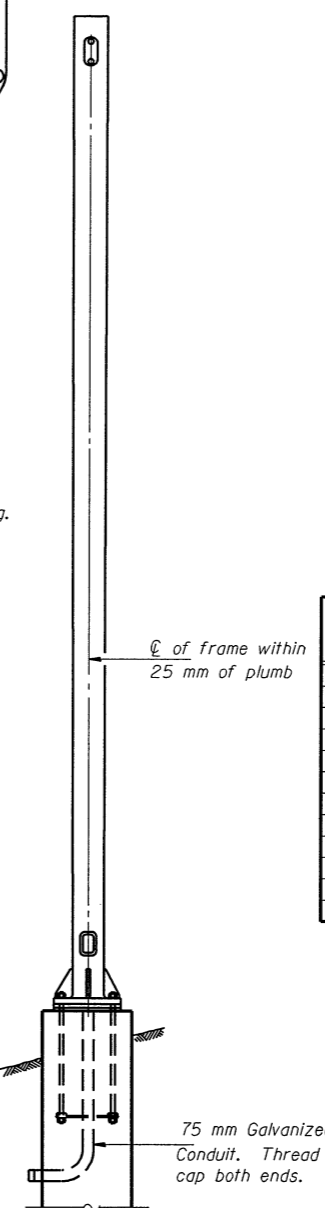
DN 200 PIPE TRUSS SUPPORT FRAME



HANDHOLE COVERS



DETAIL D



END ELEVATION

Support Design Loads: See Base Sheet OS-A-1(M) for design and loading criteria.
 Load combinations checked include deadload plus:
 a) 100% wind normal to sign, 20% parallel to sign
 b) 60% wind normal to sign, 30% parallel to sign

- In lieu of fabricated handhole frame as shown, may cut from 50 mm plate (rolling direction vertical). All cut faces to be ground to ANSI Roughness of 12.7 μ m or less.
- Galvanizing vent holes of adequate size shall be provided on underside of each end of bracing pipes. Alternately, holes may be provided in wall of pipe column. All vent holes shall be drilled and de-burred. (Typ.)
- Steel pipe, plate, carbon steel handhole covers and rolled sections shall be hot dip galvanized after fabrication. Painting is not permitted. See Base Sheet OS-A-1(M).
- See General Notes for fasteners.
- Dimensions shown are based on selection criteria in the Sign Structures Manual. Nonstandard applications must have dimensions verified or amended as appropriate.
- "H" based on 15'-0" or actual sign height, whichever is greater.

Structure Number	Station	Support		H (m)	A (m)
		Left	Right		
5S0571055L165.2	37+953	X		8.545	6.542
5S0571055L165.2	37+953		X	8.210	6.207
5S0571055L165.5	38+425	X		8.558	6.555
5S0571055L165.5	38+425		X	8.317	6.314

NUMBER	REVISION	DATE

SHEET TITLE
 OVERHEAD SIGN STRUCTURE
 SUPPORT FRAME FOR TYPE I-A ALUMINUM TRUSS

PROJECT
 F. A. I. 55
 SECTION (57-4)R, HBY, HBR,
 (57-4VB)DM
 McLEAN COUNTY

PROJECT NO. 9450
SCALE
DATE 10/08/04
DRAWN BY TFC
CHECKED BY MCB
DRAWING NO.

COOMBE-BLOXDORF P.C.
 Engineers / Land Surveyors
 Springfield, Illinois
 Design Firm License No. 184-002703

5
OF 24 SHTS