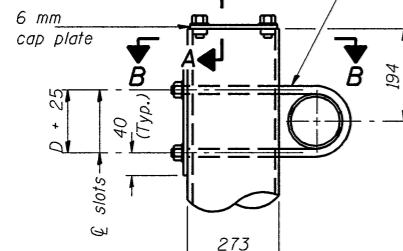
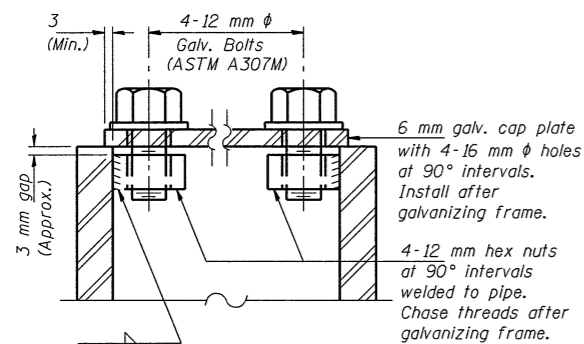


19 mm ϕ stainless steel U-bolt
Provide two washers and two hexagon locknuts. (4)
21 mm x 51 mm slots on ϕ DN 250 pipe.
(4 slots required per pipe)

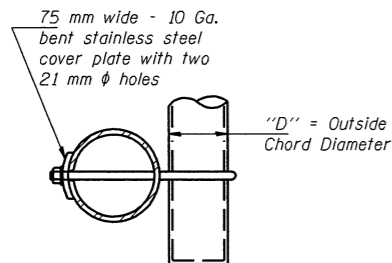


DETAIL A

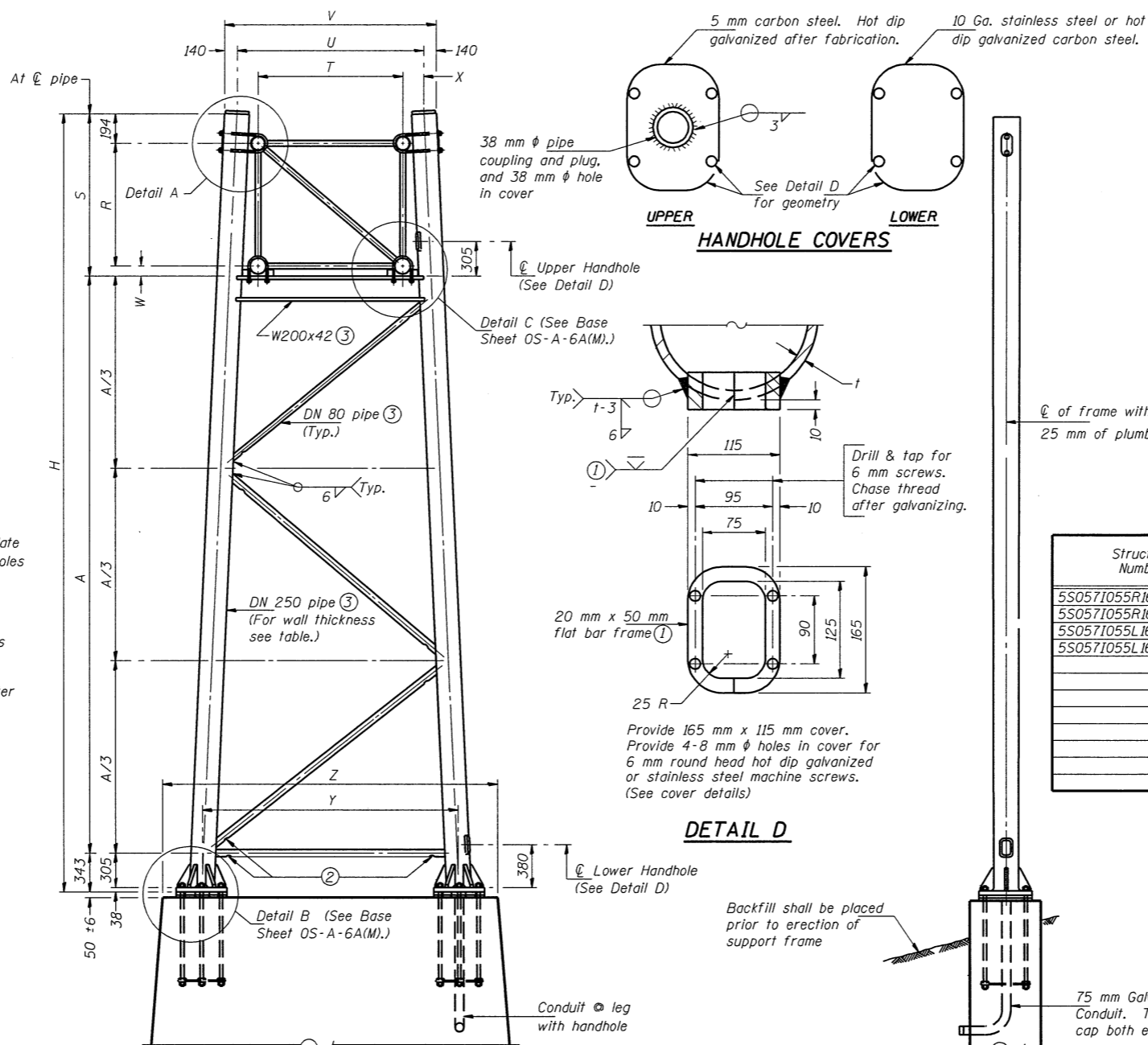


SECTION A-A

As an alternate to bolts, may use galvanized drive-fit caps installed after galvanizing frame.



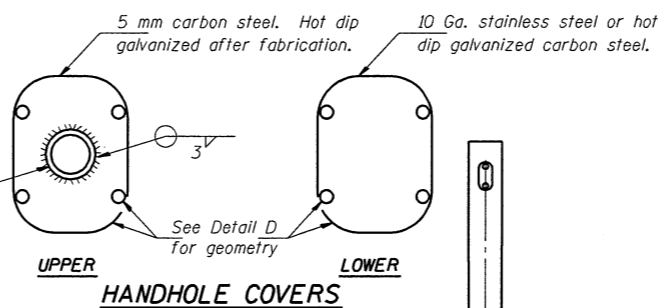
SECTION B-B



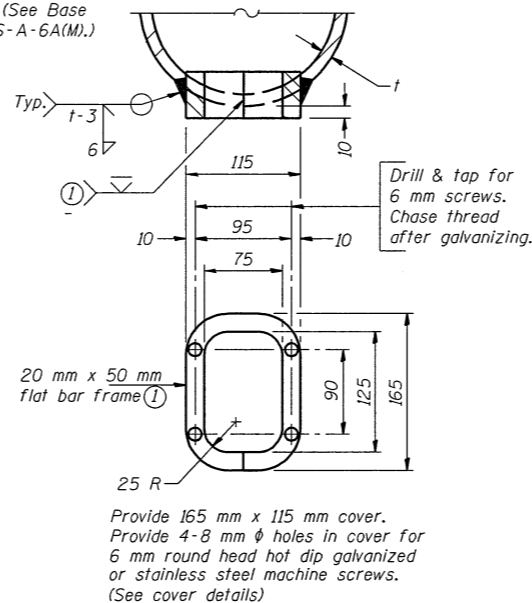
SIDE ELEVATION

DN 250 PIPE TRUSS SUPPORT FRAME

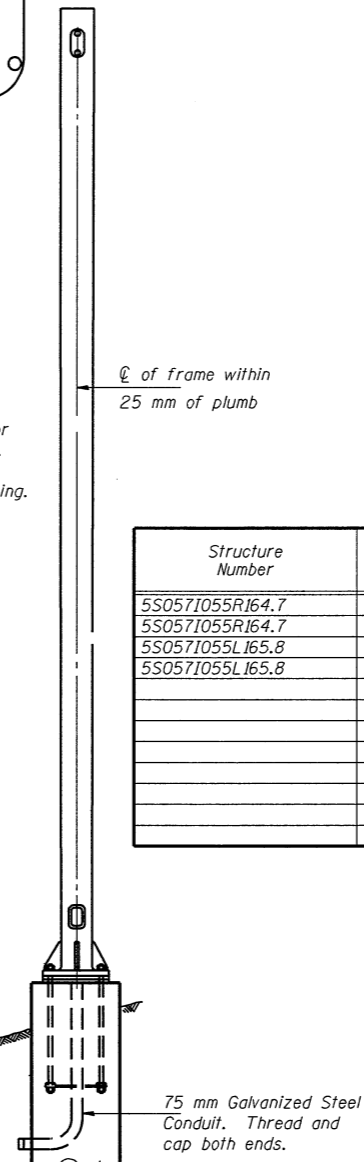
Truss Type	Dimensions								
	R (m)	S (m)	T (m)	U (m)	V (m)	W (mm)	X (mm)	Y (m)	Z (m)
I-A	1.37	1.66	1.22	1.68	1.96	100	230	2.52	3.28
II-A (5)	1.60	1.91	1.37	1.85	2.13	120	240	2.52	3.28



UPPER and LOWER HANDHOLE COVERS



DETAIL D



END ELEVATION

Support Design Loads: See Base Sheet OS-A-1(M) for design and loading criteria.
Load combinations checked include deadload plus:
a) 100% wind normal to sign, 20% parallel to sign
b) 60% wind normal to sign, 30% parallel to sign

- In lieu of fabricated handhole frame as shown, may cut from 50 mm plate (rolling direction vertical). All cut faces to be ground to ANSI Roughness of 12.7 μ m or less.
- Galvanizing vent holes of adequate size shall be provided on underside at each end of bracing pipes. Alternately, holes may be provided in wall of pipe column. All vent holes shall be drilled and de-burred. (Typ.)
- Steel pipe, plate, carbon steel handhole covers and rolled sections shall be hot dip galvanized after fabrication. Painting is not permitted. See Base Sheet OS-A-1(M).
- See General Notes for fasteners.
- Dimensions shown are based on selection criteria in the Sign Structures Manual. Nonstandard applications must have dimensions verified or amended as appropriate.
- "H" based on 15'-0" or actual sign height, whichever is greater.

Structure Number	Station	Support		Truss Type	Pipe Wall Thickness	H (m)	A (m)
		Left	Right				
5S0571055R164.7	37+140	X		I-A	7.09	8.317	6.314
5S0571055R164.7	37+140		X	I-A	7.09	8.240	6.237
5S0571055L165.8	38+925	X		I-A	7.09	9.046	7.043
5S0571055L165.8	38+925		X	I-A	7.09	8.304	6.301

NUMBER	REVISION	DATE

SHEET TITLE
OVERHEAD SIGN STRUCTURE
SUPPORT FRAME DETAILS ALUMINUM TRUSS

PROJECT
F.A.I. 55
SECTION (57-4)R, HBY, HBR,
(57-4VB)DM
McLEAN COUNTY

PROJECT NO. 9450
SCALE
DATE 10/08/04
DRAWN BY TFG
CHECKED BY MCB
DRAWING NO. 7

COOMBE-BLOXDORF P.C.
Engineers/Land Surveyors
Springfield, Illinois
Design Firm License No. 184-002703

OF 24 SHTS