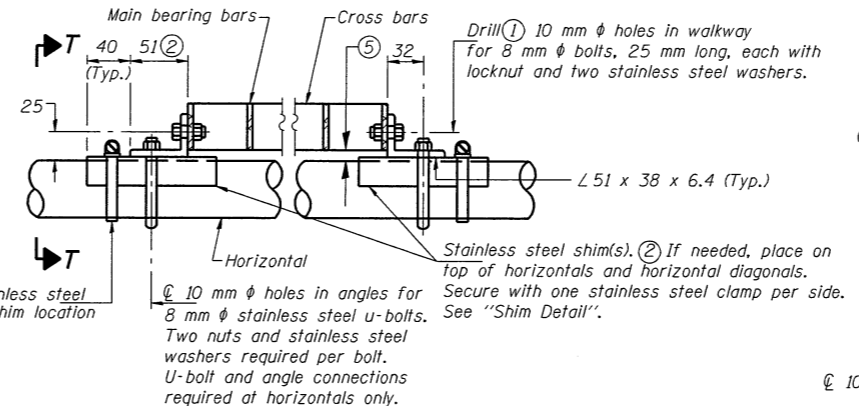
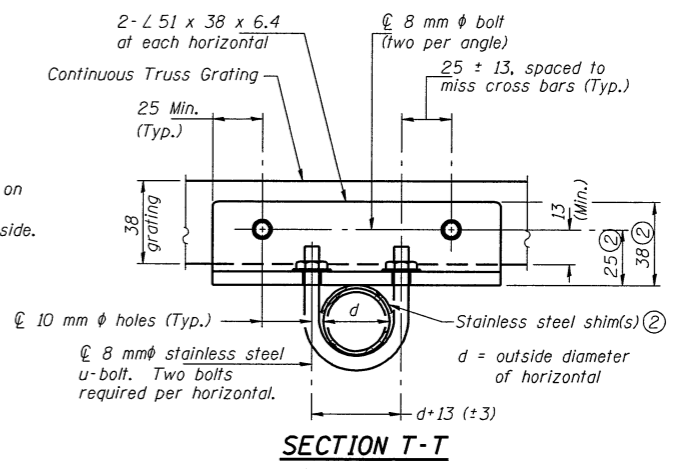
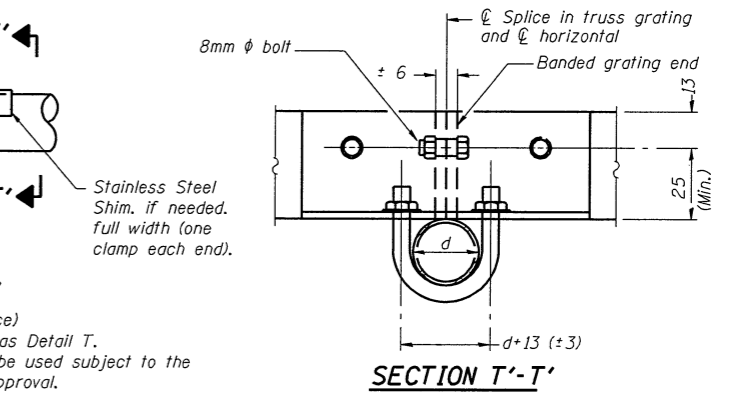


DETAIL W
(Walkway grating)



DETAIL T



SPECIFICATIONS FOR STANDARD ALUMINUM GRATING

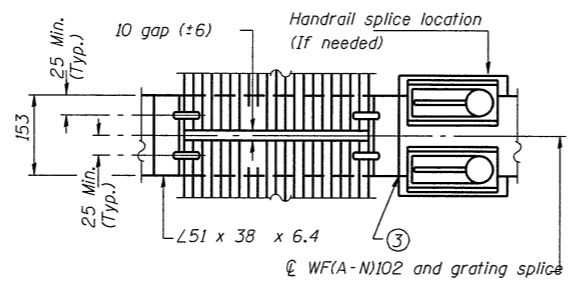
Main Bearing Bars shall be 5 mm x 38 mm on 30 mm centers and conform to ASTM B221M Alloy 6061-T6.
Cross bars shall be 5 mm x 38 mm on 102 mm centers and conform to ASTM B221M Alloy 6063-T5 or 6061-T6

OR

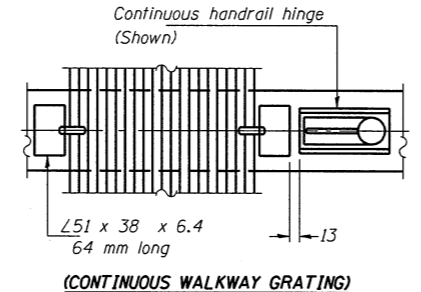
Aluminum Grating with modified "4" sections for main bearing bars shall meet the following requirements:
Main bars shall conform to ASTM B221M Alloy 6061-T6 and have a minimum section modulus equal to $1.16 \times 10^3 \text{ mm}^3$ per bar, a depth of 38 mm, spaced on 30 mm centers.
Cross bars shall conform to ASTM B221M Alloy 6063-T5 or T-42 and spaced on 100 mm centers.

Structure Number	Station	A	B	C	D
5S0571055R164.7	37+140	153	1.60	1.37	3.12
5S0571055L165.2	37+953	140	1.60	1.37	3.12
5S0571055L165.5	38+425	140	1.60	1.37	3.12
5S0571055L165.8	38+925	140	1.905	1.37	3.425

SECTION B-B

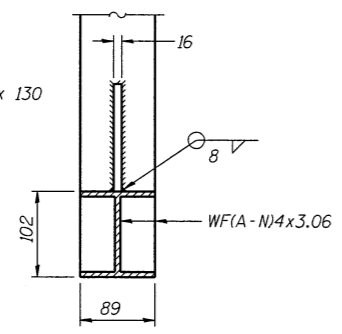


(AT WALKWAY GRATING SPLICE)



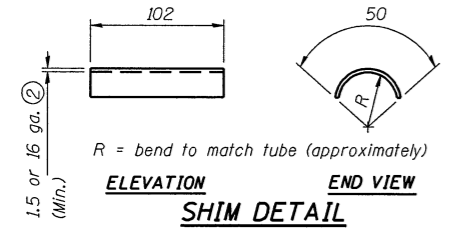
SECTION W-W
(CONTINUOUS WALKWAY GRATING)

SECTION C-C



DETAIL C

(See Detail P, Base Sheet OS-A-11(M).)



NUMBER	REVISION	DATE

- Drilling holes in grating may be done in shop or field, based on Contractor's preference and subject to accurate alignment.
- Stainless steel shims shall be placed as shown in Detail T if needed to compensate for alignment variations between horizontal and diagonal pipes beyond adjustment provided by angles. Thicker shims may be used subject to shims performing properly.
- If Handrail Joint present, weld angle to WF(A-N)102 and 6 mm extension bars. (See Base Sheet OS-A-11(M).)
- ϕ 3 mm x 13 mm x 50 mm welded to handrail posts to protect locations that contact grating.
- Tube to grating gap may vary from 0 to 1/2" max. to align walkway

SHEET TITLE		OVERHEAD SIGN STRUCTURE ALUMINUM WALKWAY DETAILS	
PROJECT	F.A.I. 55 SECTION (57-4)R, HBY, HBR, (57-4VB)DM McLEAN COUNTY	PROJECT NO.	9450
		SCALE	
		DATE	10/08/04
		DRAWN BY	TFG
		CHECKED BY	MCB
COOMBE-BLOXDORF P.C. Engineers/Land Surveyors Springfield, Illinois Design Firm License No. 184-002703		DRAWING NO.	10
			OF 24 SHTS