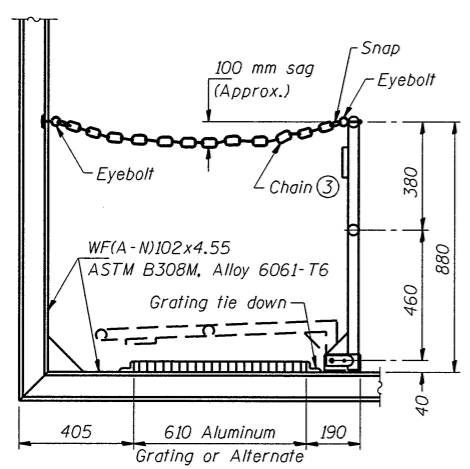
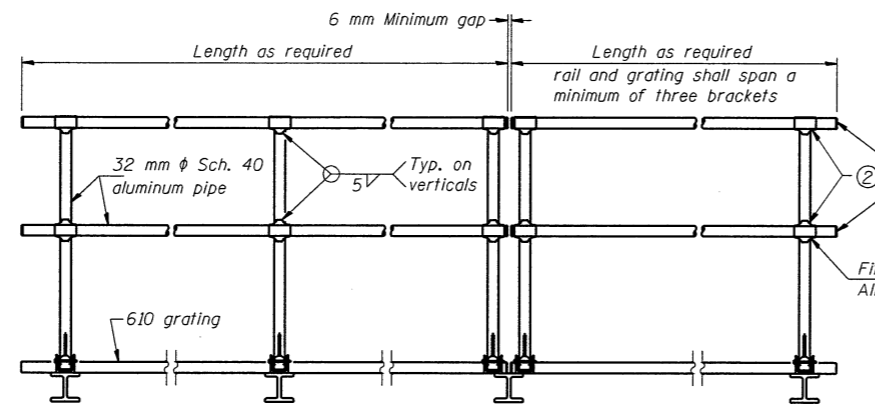


Contract No. 70757
 (57-4) R, HBY, HBR, (57-4VB) DM

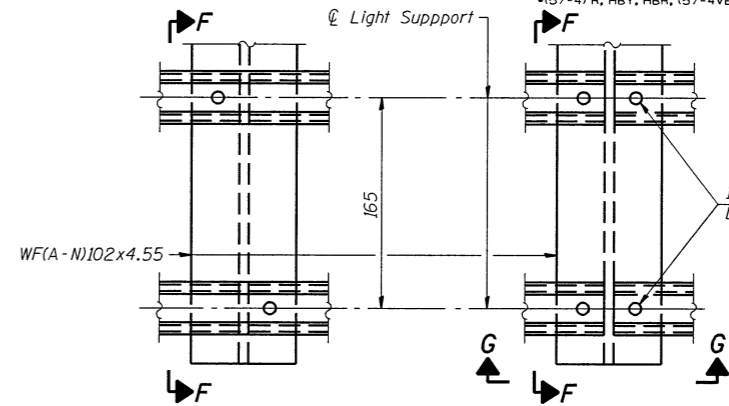


SIDE ELEVATION
 (Showing safety chain w/o sign)



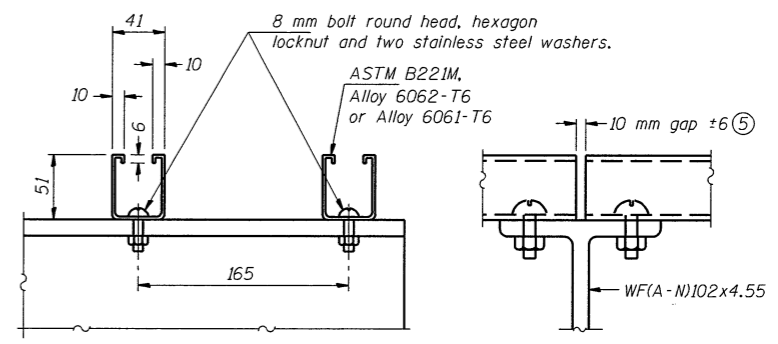
FRONT ELEVATION

② Horizontal handrail member shall be continuous thru fitting. Provide 12 mm hole in fitting for 10 mm bolt. Field drill 12 mm hole in horizontal rail member. Provide locknut and two stainless steel washers for bolt. (Use 8 mm eyebolts in 12 mm holes on top rail at ends only.)



DETAIL F

DETAIL G

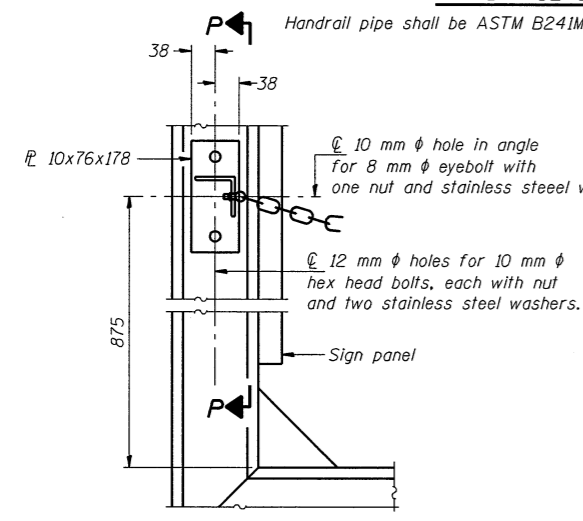


SECTION F-F

SECTION G-G

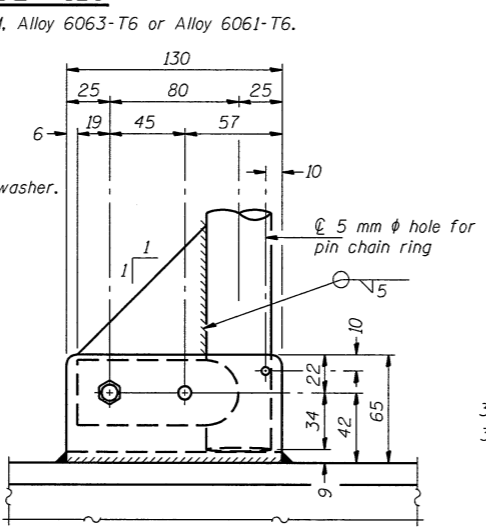
LIGHTING FIXTURE MOUNTS (IF REQUIRED)

⑤ Field cut ends of light support channels shall be free of burrs or hazardous projections and coated with zinc-rich primer or equivalent.



ALTERNATE SAFETY CHAIN ATTACHMENT
 (With Sign Present)

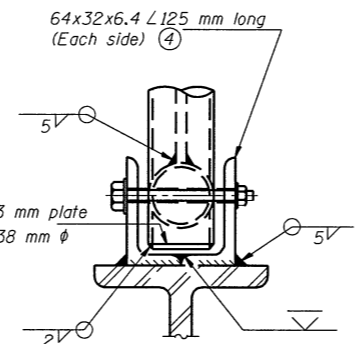
Items not shown same as "Side Elevation" of "Handrail Details"



SIDE ELEVATION

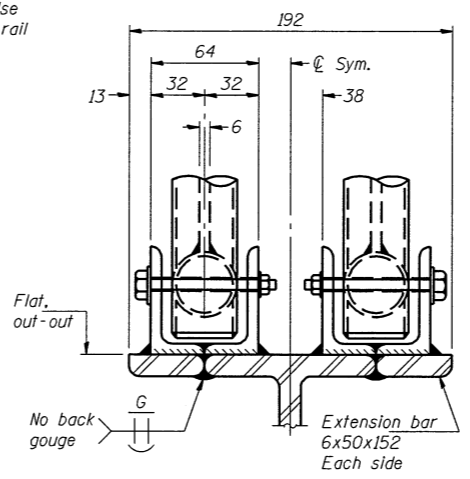
Drill and ream for 10 mm stainless steel bolt with hexagon locknut and two stainless steel washers.

Drill 8 mm hole for 6 mm ring-grip quick release self-locking stainless steel pin



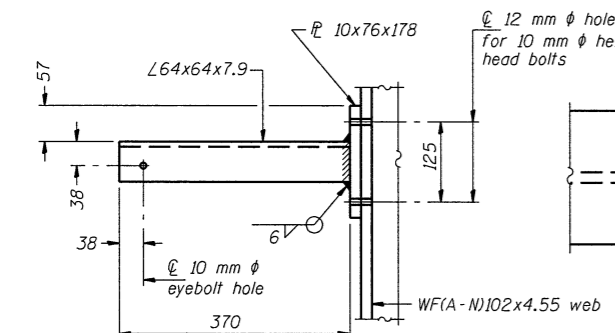
FRONT ELEVATION

See "ELEVATION" at right for dimensions.

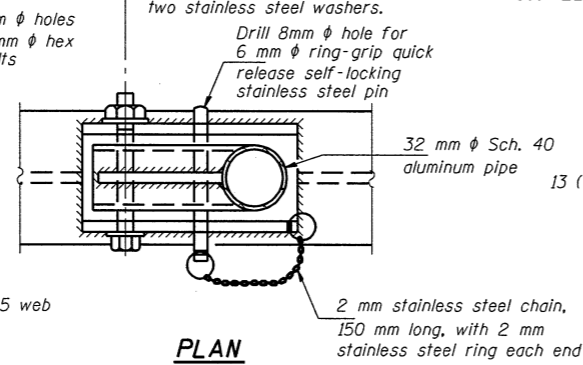


ELEVATION AT HANDRAIL JOINT

Details not shown same as "FRONT ELEVATION"

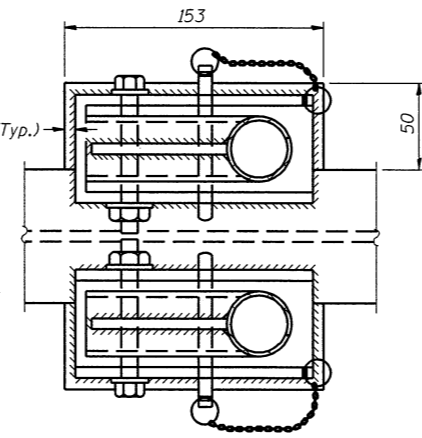


SECTION P-P



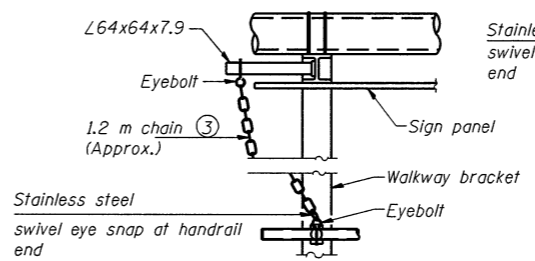
PLAN DETAIL E HANDRAIL HINGE

NUMBER	REVISION	DATE



PLAN AT HANDRAIL JOINT

Details not shown same as "PLAN"

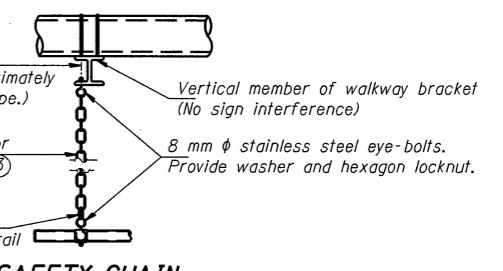


ALTERNATE SAFETY CHAIN ATTACHMENT

Details not shown similar to "Safety Chain" Details (Walkway omitted for clarity)

③ 5 mm Type 304L stainless steel chain, approximately 40 links per meter.

④ Extrusions may be used in lieu of the details shown, with approval of the Engineer.



SAFETY CHAIN

One required for each end of each walkway.

Note: All eyebolts, bolts, nuts and washers shall be stainless steel. For material, see General Notes.

SHEET TITLE		OVERHEAD SIGN STRUCTURE ALUMINUM HANDRAIL DETAILS
PROJECT	F. A. I. 55 SECTION (57-4)R, HBY, HBR, (57-4VB)DM McLEAN COUNTY	PROJECT NO. 9450
SCALE		DATE 10/08/04
DRAWN BY	TFG	CHECKED BY MCB
DRAWING NO.		
COOMBE-BLOXDORF P.C. Engineers/Land Surveyors Springfield, Illinois		11
Design Firm License No. 184-002703		OF 24 SHTS