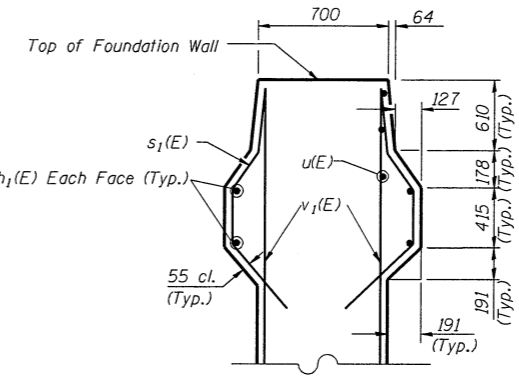
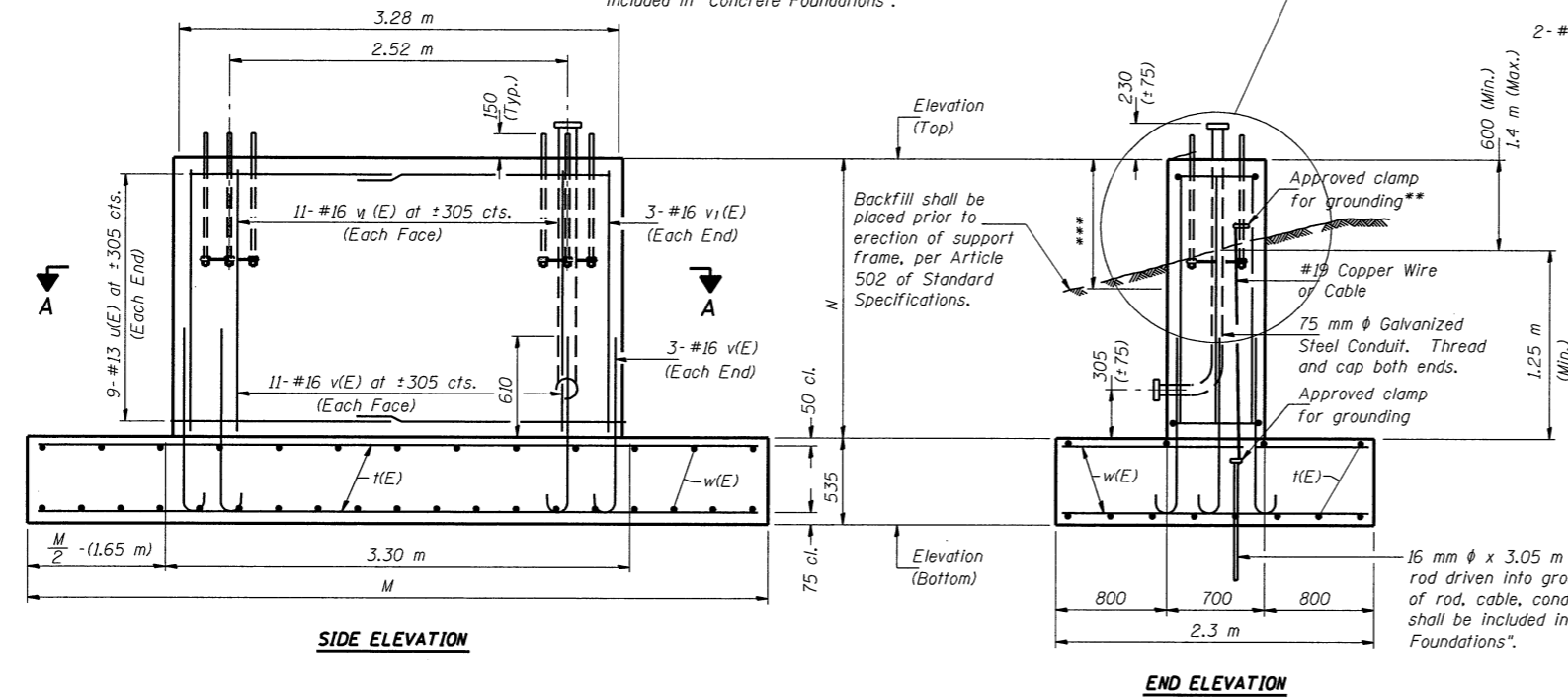


Contract No. 70757  
\*(57-4) R, HBY, HBR, (57-4VB) DM

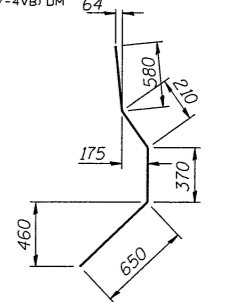
For anchor rod size and placement, see Support Frame Detail Sheet.

\*\*Anchor rod shall be ground or filed to bright metal at clamp and cable connection location.

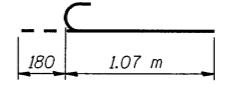
\*\*\*A normal surface finish followed by a Bridge Seat Sealer application will be required on concrete surfaces above the lowest elevation 150 mm below finished ground line. Cost included in "Concrete Foundations".



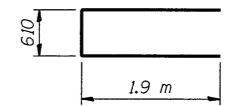
DETAIL A



BAR s1(E)



BAR v(E)



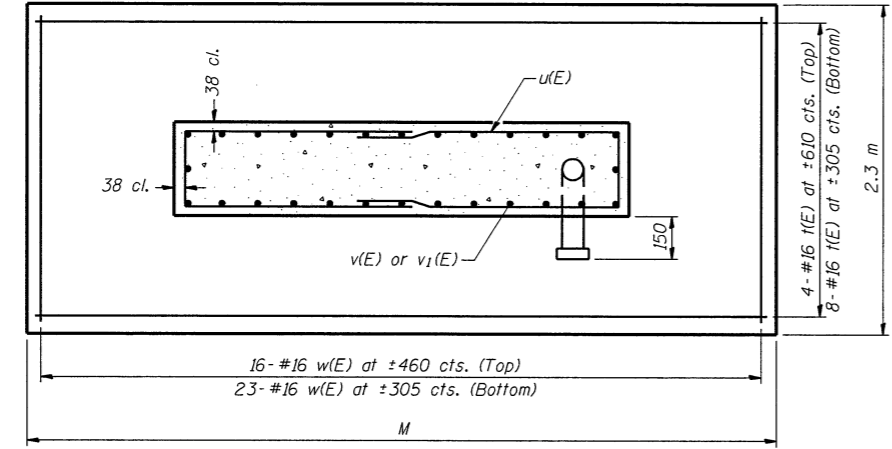
BAR u(E)

BAR LIST - EACH FOUNDATION

Bar	Number	Size	Length (m)	Shape
h1(E)	4	#13	3.20	—
s1(E)	26	#16	1.81	U
t(E)	12	#16	*	—
u(E)	18	#13	4.41	U
v(E)	28	#16	1.25	C
v1(E)	28	#16	*	—
w(E)	39	#16	2.21	—

\*Length of t(E) bar = (Dim. M) - 150 mm  
v1(E) bar = (Dim. N) - 75 mm  
\*\*\*\*Median Foundation only

16 mm φ x 3.05 m copper weld ground rod driven into ground 2.75 m. Cost of rod, cable, conduit, caps and clamps shall be included in cost of "Concrete Foundations".



SECTION A-A

Structure Number	Station	Left Foundation				Right Foundation				Class S1 Concrete (cu. m)
		Elevation Top	Elevation Bottom	N (m)	M (m)	Elevation Top	Elevation Bottom	N (m)	M (m)	
5S0571055R164.7	37+140	263.526	260.891	2.10	6.60	263.603	260.618	2.45	6.60	27.3
5S0571055L165.8	38+925	261.530	258.645	2.35	6.60	262.272	259.637	2.10	6.60	27.3

Note: The foundation dimensions shown are based on the presence of mostly cohesive soils with an average Unconfined Compressive Strength (Qu) of at least 96 kPa, which must be determined by previous soil investigations at the jobsite. When other conditions are indicated, the boring data will be included in the plans and the foundation dimensions shown will be the result of site specific designs.  
During construction, if footing length or width or wall height change by more than 300 mm, or if reinforcement is changed, "as-built" plans shall be prepared and submitted to the District Bureau of Operations for future reference.

NUMBER	REVISION	DATE

DETAILS FOR DN 250 PIPE SUPPORT FRAME

SHEET TITLE		OVERHEAD SIGN STRUCTURE SPREAD FOOTING DETAILS	
PROJECT	F. A. I. 55 SECTION (57-4)R, HBY, HBR, (57-4VB)DM McLEAN COUNTY	PROJECT NO.	9450
		SCALE	
		DATE	10/08/04
		DRAWN BY	TFG
		CHECKED BY	MCB
		DRAWING NO.	
COOMBE-BLOXDORF P.C. Engineers/Land Surveyors Springfield, Illinois		13	
Design Firm License No. 184-002703		OF 24 SHTS	