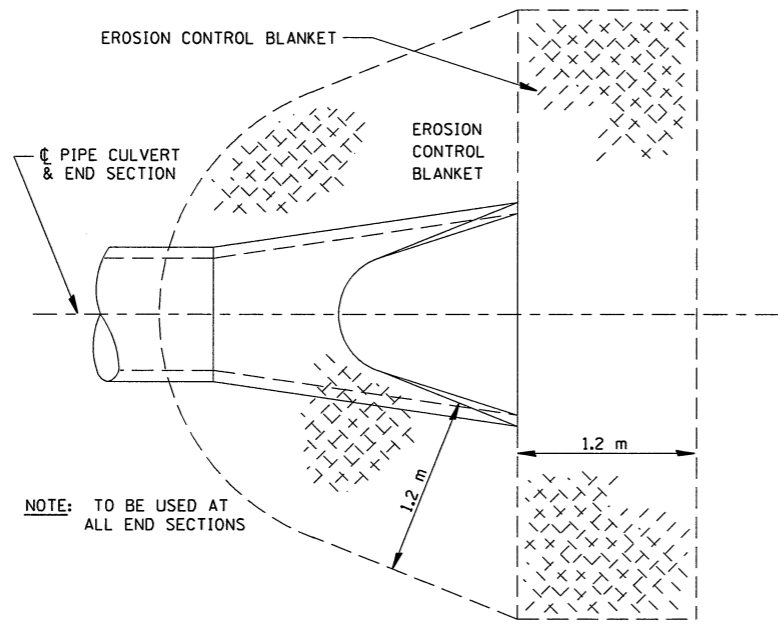
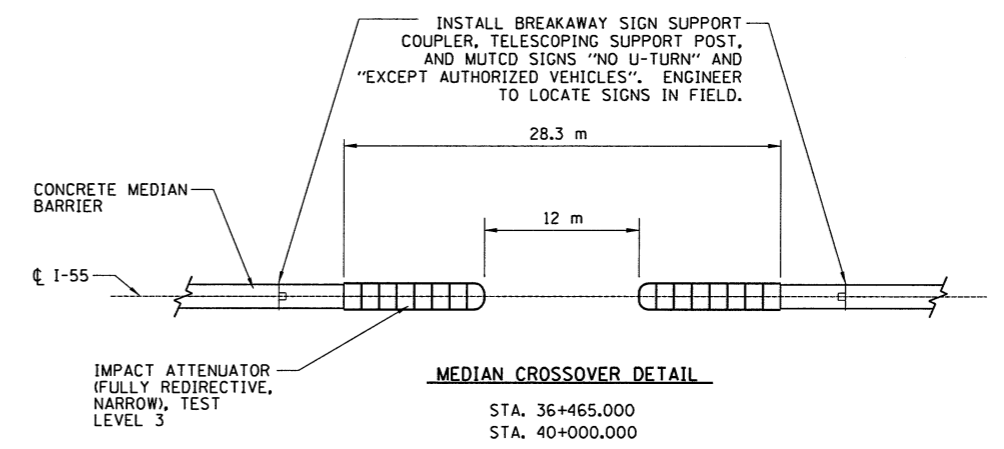


F.A.I. RTE.	SECTION	COUNTY	TOTAL SHEETS	SHEET NO.
55		MCLEAN	310	157
FED. ROAD DIST. NO.	ILLINOIS	FED. AID PROJECT		
		(57-4)R, HBY, HBR, (57-4)B)DM		
CONTRACT #70757				



NOTE: TO BE USED AT ALL END SECTIONS

DETAIL OF EROSION CONTROL BLANKET LINING AROUND END SECTION



MEDIAN CROSSOVER DETAIL

SIGN REQUIREMENTS

"NO U-TURN" : MUTCD STANDARD R3-4 (914 mm x 914 mm) — TYPE ZZ SHEETING
 "EXCEPT AUTHORIZED VEHICLES" : ILLINOIS STANDARD R3-1101 (914 mm x 610 mm) — TYPE ZZ SHEETING

7/25/2009
 #124

LAYOUT	JH	04/09/02
DRAWN	JH	03/26/04
REVIEWED	DLH	03/29/04

ILLINOIS DEPARTMENT OF TRANSPORTATION
 F.A.I. 55
 SECTION (57-4)R, HBY, HBR, (57-4)B)DM
 MCLEAN COUNTY
MISCELLANEOUS DETAILS

REVISIONS	
NAME	DATE

HANSON

JOB NO. 9452063
 DATE 7/25/2009