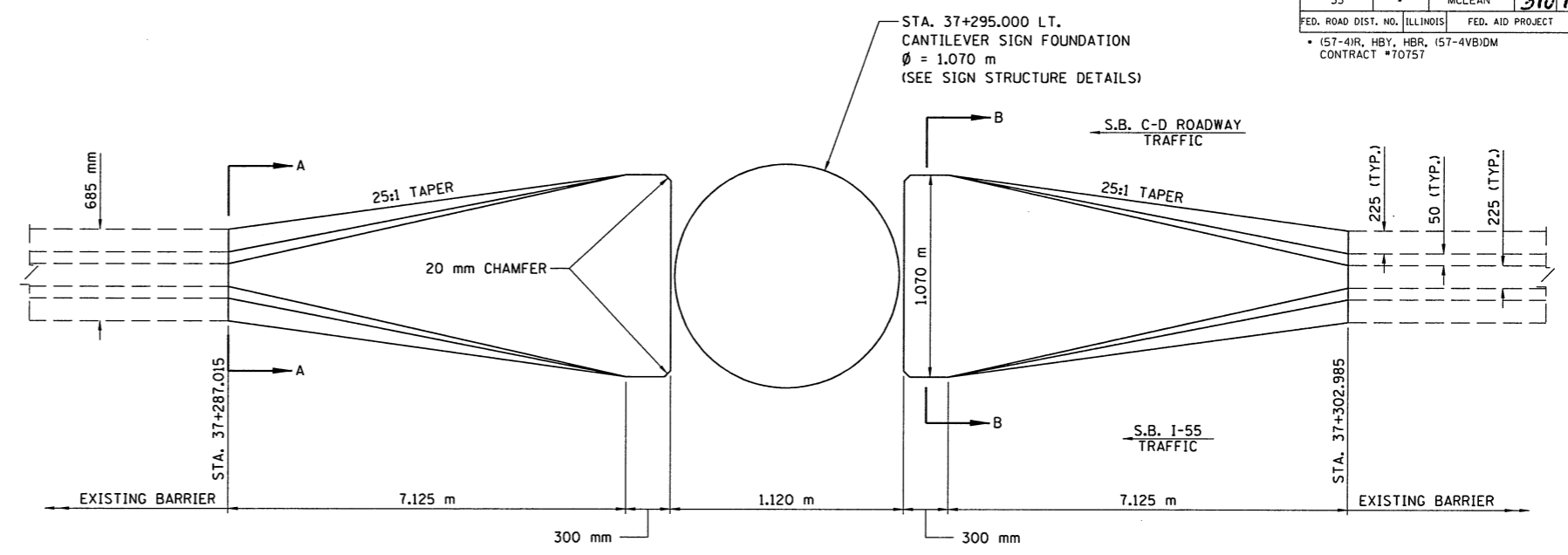
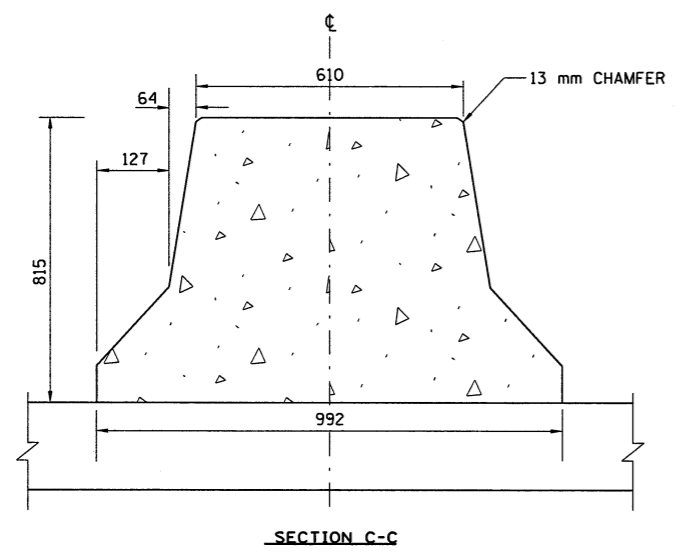
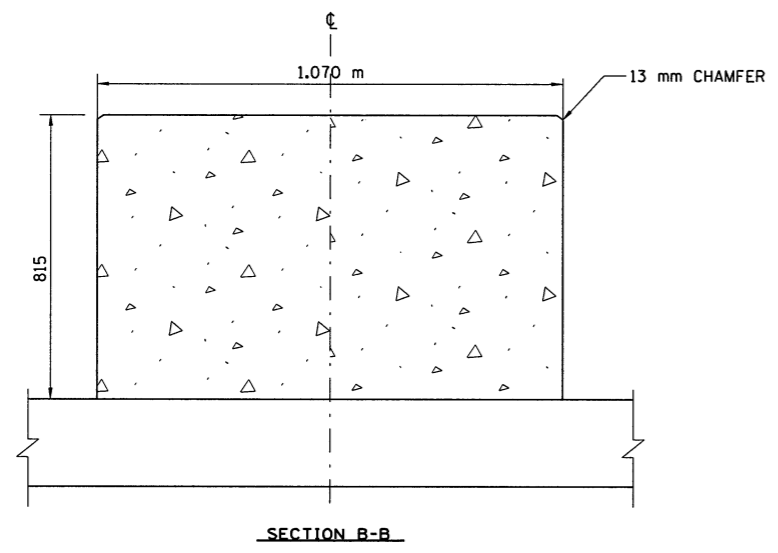
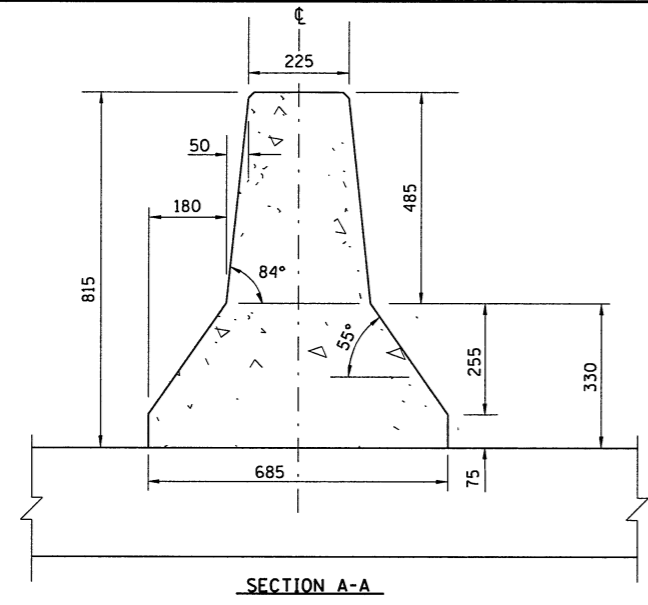


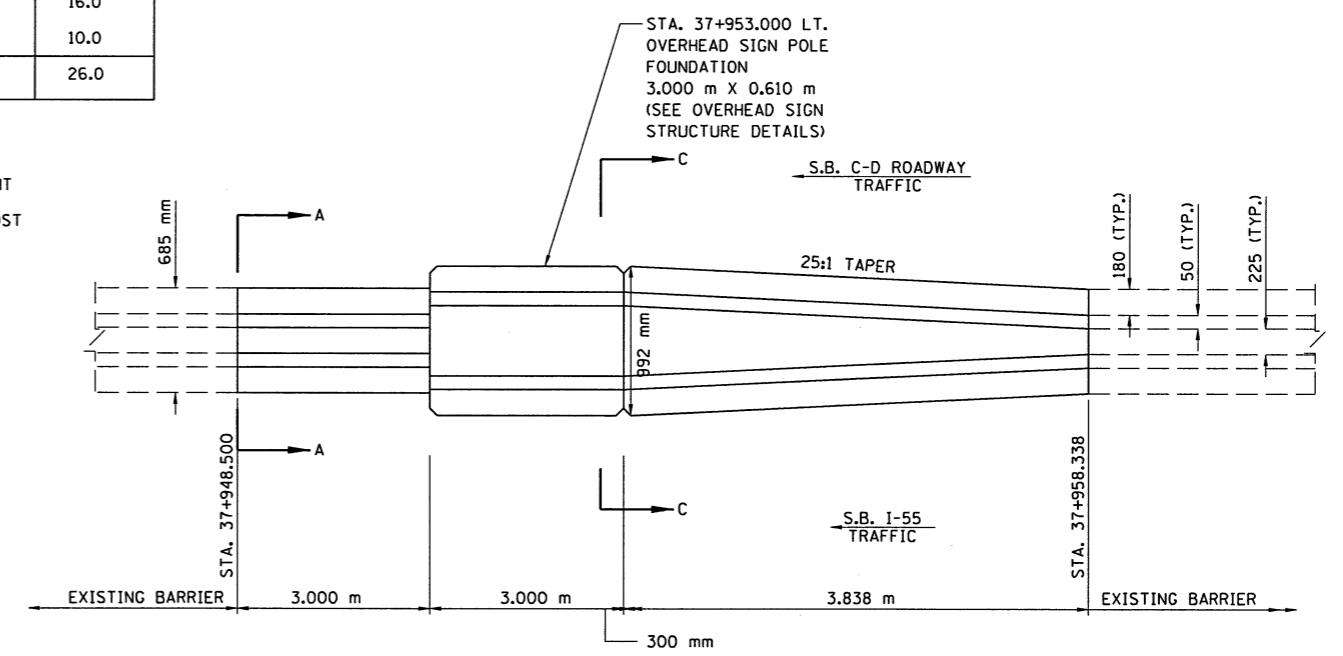
F.A.I. RTE.	SECTION	COUNTY	TOTAL SHEETS	SHEET NO.
55		MCLEAN	310	160
FED. ROAD DIST. NO.	ILLINOIS	FED. AID PROJECT		
		(57-4)R, HBY, HBR, (57-4)BIDM		
		CONTRACT #70757		



**BARRIER TRANSITION DETAIL
AT CANTILEVER SIGN STRUCTURE FOUNDATION STA 37+295.000 LT.**
NOTE: PAID FOR AS CONCRETE BARRIER REMOVAL AND REPLACEMENT

CONCRETE BARRIER REMOVAL AND REPLACEMENT	METER
STA 37+287.015 TO 37+302.985, LEFT	16.0
STA 37+948.500 TO 37+958.338, LEFT	10.0
TOTAL	26.0

NOTE: ANY SHOULDER REMOVAL AND REPLACEMENT REQUIRED FOR THIS WORK, INCLUDING SUB-BASE SHALL BE INCLUDED IN THE COST OF CONCRETE BARRIER REMOVAL AND REPLACEMENT.



**BARRIER TRANSITION DETAIL
AT OVERHEAD SIGN STRUCTURE FOUNDATION STA 37+953.000 LT.**
NOTE: PAID FOR AS CONCRETE BARRIER REMOVAL AND REPLACEMENT

ALL DIMENSIONS ARE IN MILLIMETERS UNLESS OTHERWISE NOTED

ILLINOIS DEPARTMENT OF TRANSPORTATION
F.A.I. 55
SECTION (57-4)R, HBY, HBR, (57-4)BIDM
MCLEAN COUNTY
**MEDIAN BARRIER TRANSITION
AT SIGN FOUNDATION DETAIL**

REVISIONS	
NAME	DATE

HANSON
JOB NO. 94S2063
DATE 6/25/2009

LAYOUT	J.H.	04/09/02
DRAWN	J.H.	03/05/04
REVIEWED	DLH	03/18/04