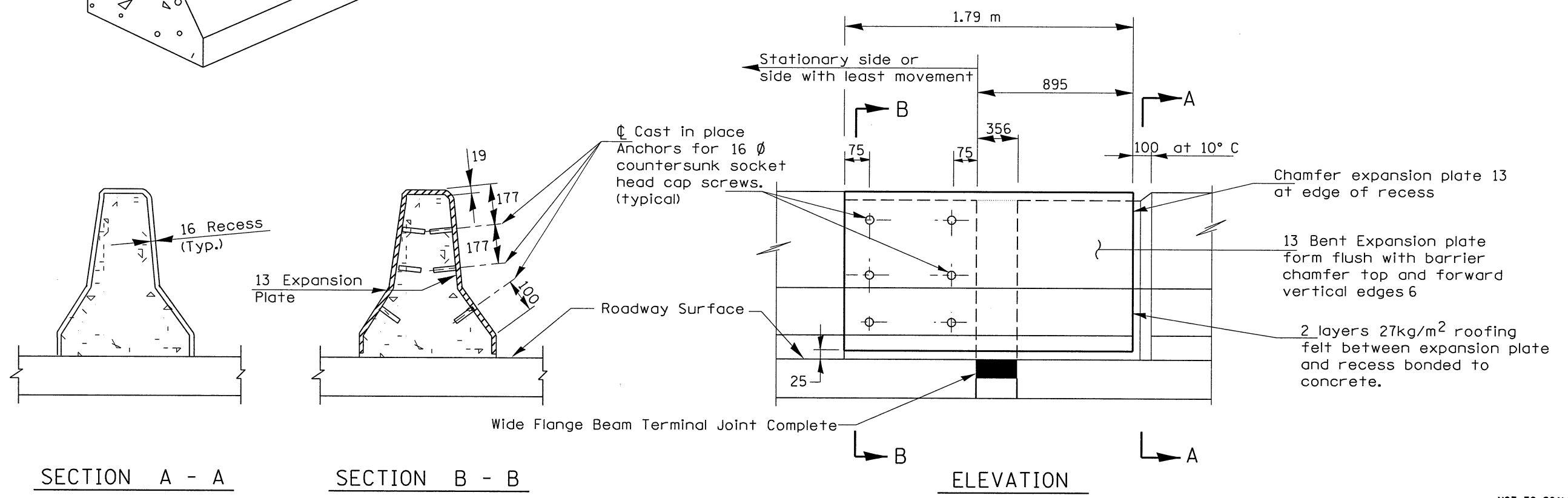
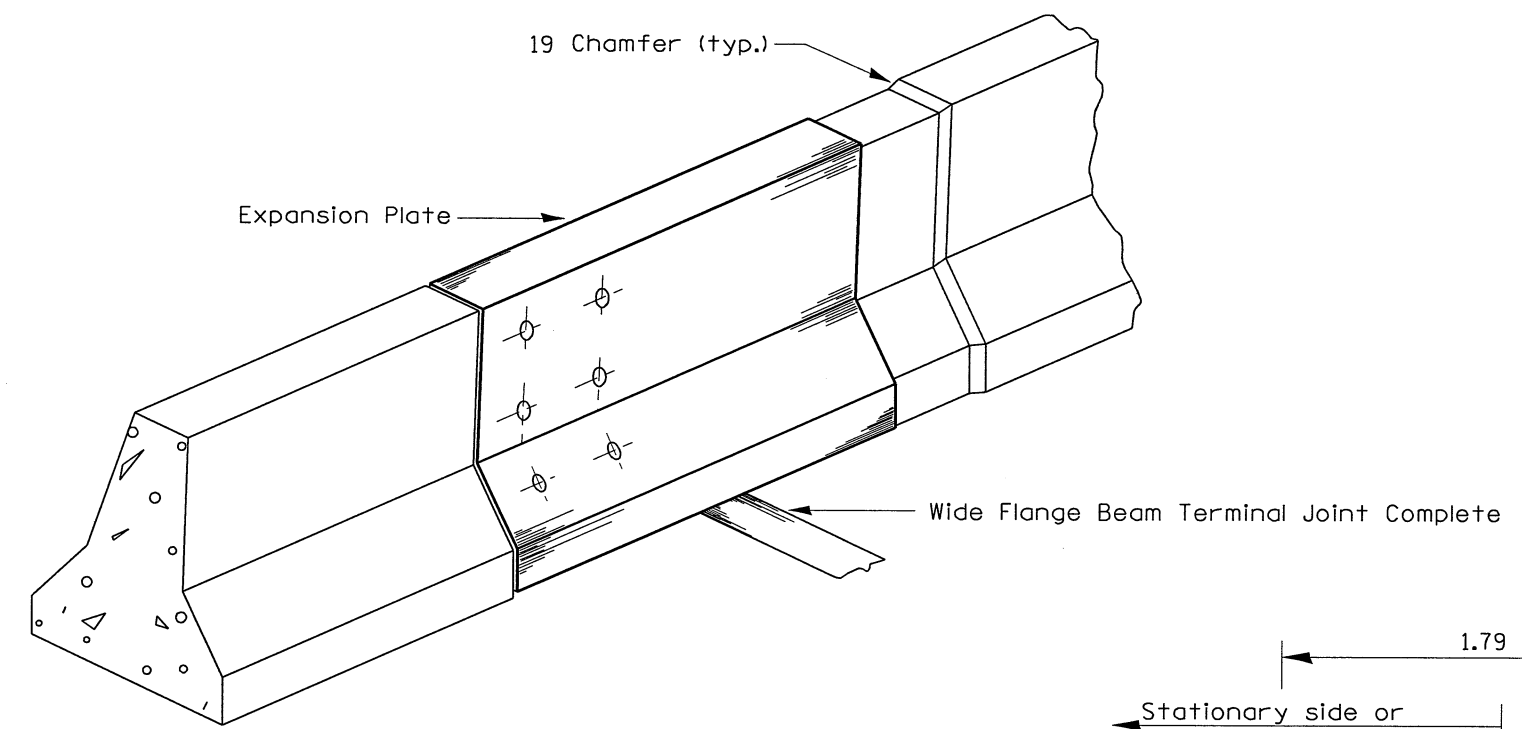


F.A.I. RTE.	SECTION	COUNTY	TOTAL SHEETS	SHEET NO.
55	*	MCLEAN	310	163
FED. ROAD DIST. NO.	ILLINOIS	FED. AID PROJECT		
		• 157-4JR, HBY, HBR, 157-4VBIDM		
CONTRACT #70757				

NOTES

- 1.) IT SHALL BE THE CONTRACTORS RESPONSIBILITY TO COORDINATE THE APPROVED WIDE FLANGE BEAM TERMINAL JOINT WITH THE END EXPANSION PLATE DETAIL SHOWN.
- 2.) ALL EXPANSION PLATES SHALL BE AASHTO M183 AND SHOP PAINTED WITH ZINC SILICATE AND VINYL PAINT SYSTEM.
- 3.) COST OF EXPANSION PLATES TO BE INCLUDED IN THE COST OF THE WIDE FLANGE BEAM TERMINAL JOINT COMPLETE.
- 4.) SEE STANDARD 637001 AND PLANS FOR ADDITIONAL CONCRETE BARRIER DETAILS.



NOT TO SCALE

ILLINOIS DEPARTMENT OF TRANSPORTATION
 F.A.I. 55
 SECTION 157-4JR, HBY, HBR, 157-4VBIDM
 MCLEAN COUNTY

**CONCRETE BARRIER
 EXPANSION PLATE DETAIL**

JOB NO. 94S2063
 DATE 6/25/2009

REVISIONS	
NAME	DATE

LAYOUT	DATE	BY
DRAWN	04/10/02	DLH
REVIEWED	03/05/04	DLH
	03/18/04	DLH