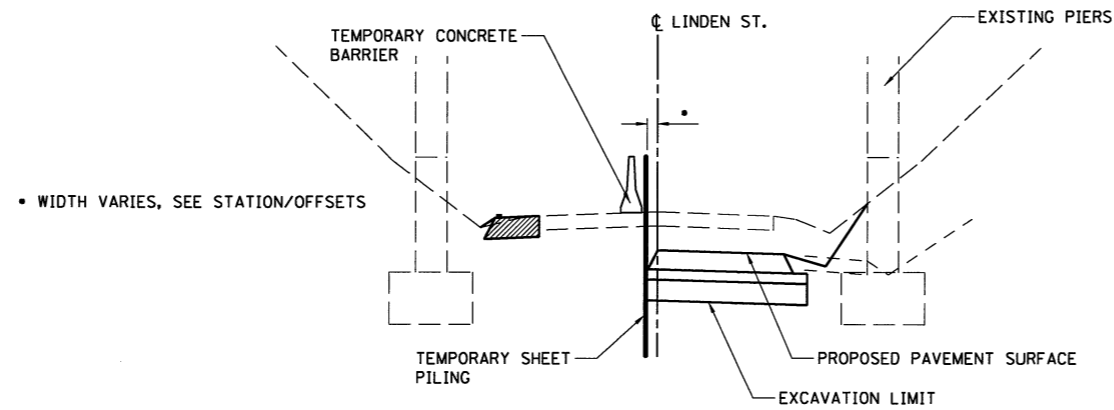
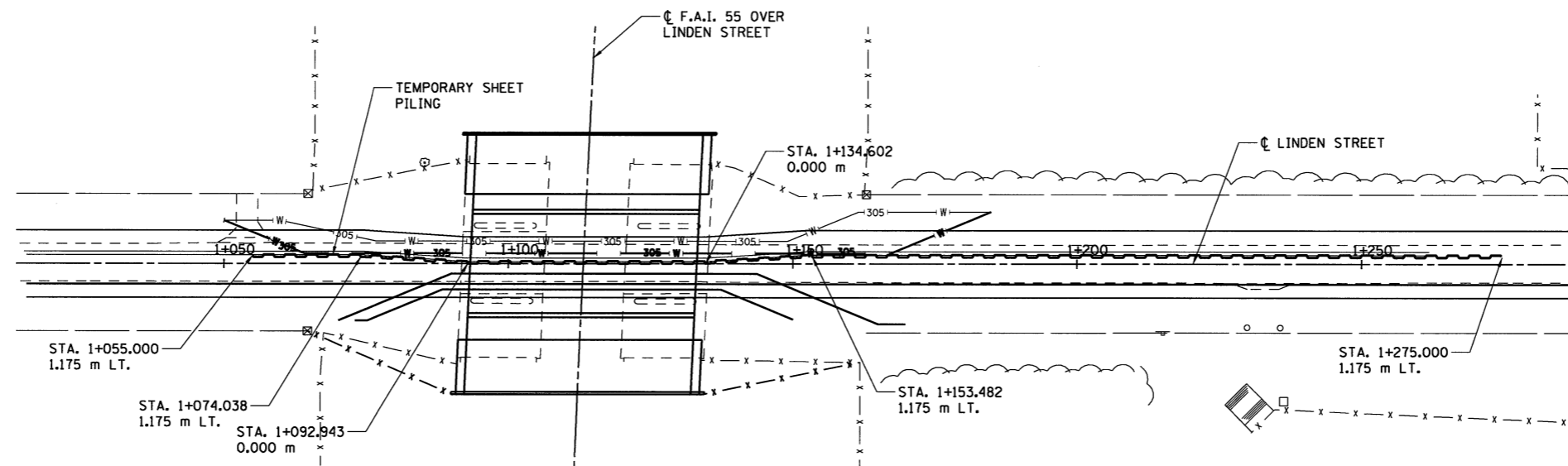


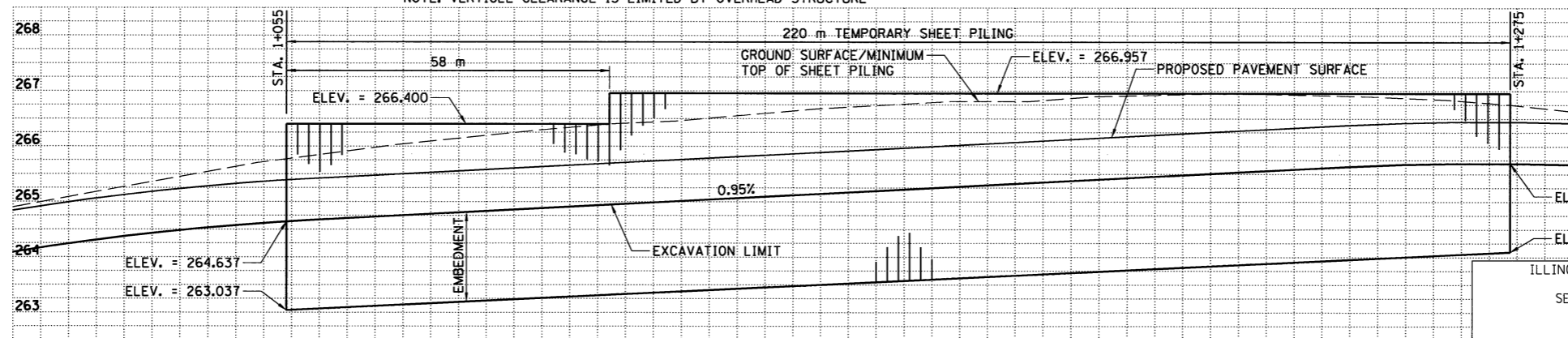
F.A.I. RTE.	SECTION	COUNTY	TOTAL SHEETS	SHEET NO.
55	*	MCLEAN	310	167
FED. ROAD DIST. NO.		ILLINOIS	FED. AID PROJECT	
* (57-4)R, HBY, HBR, (57-4)BIDM		CONTRACT #70757		



TEMPORARY SHEET PILING DESIGN CRITERIA	
MINIMUM EMBEDMENT	1.60 m
MINIMUM SECTION MODULUS	254 mm ³ /m x 10 ³
TEMPORARY SHEET PILING	715.50 m ²



NOTE: VERTICAL CLEARANCE IS LIMITED BY OVERHEAD STRUCTURE



LAYOUT	RLA	03/12/04
DRAWN	JH	03/15/04
REVIEWED	DLH	03/18/04

REVISIONS	
NAME	DATE

ILLINOIS DEPARTMENT OF TRANSPORTATION
 F.A.I. 55
 SECTION (57-4)R, HBY, HBR, (57-4)BIDM
 MCLEAN COUNTY

**LINDEN STREET
 TEMPORARY
 SHEET PILING DETAIL**

JOB NO. 94S2063
 DATE 8/17/2009