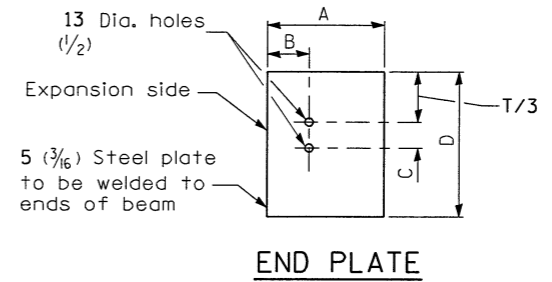
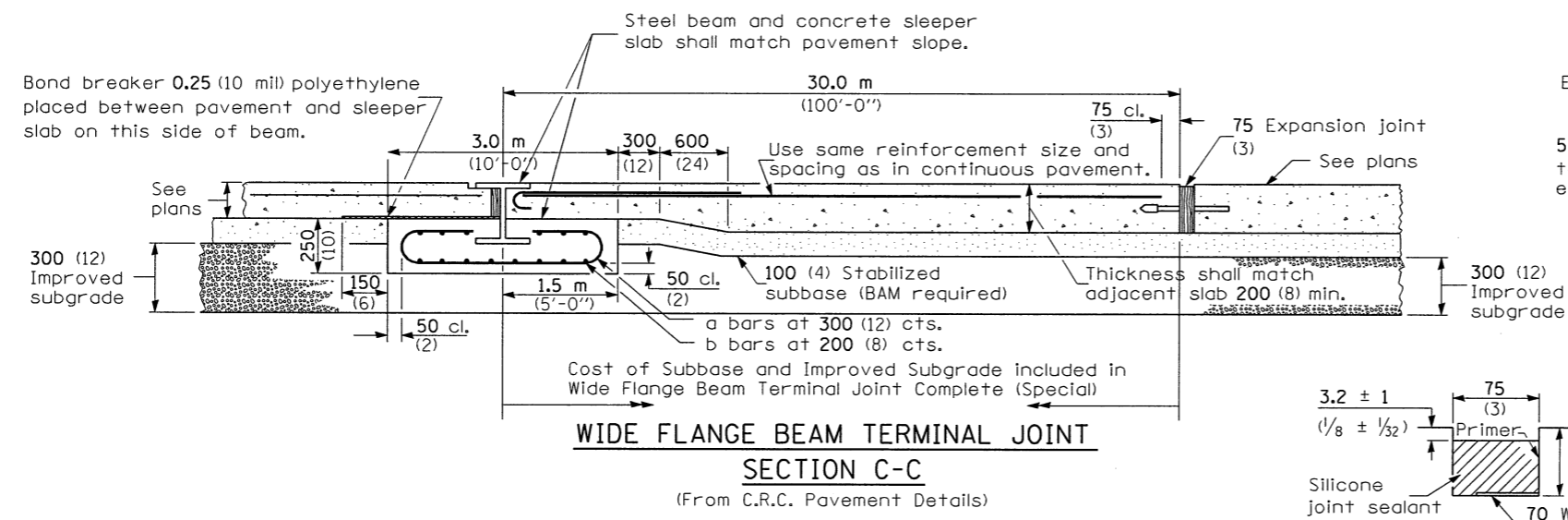
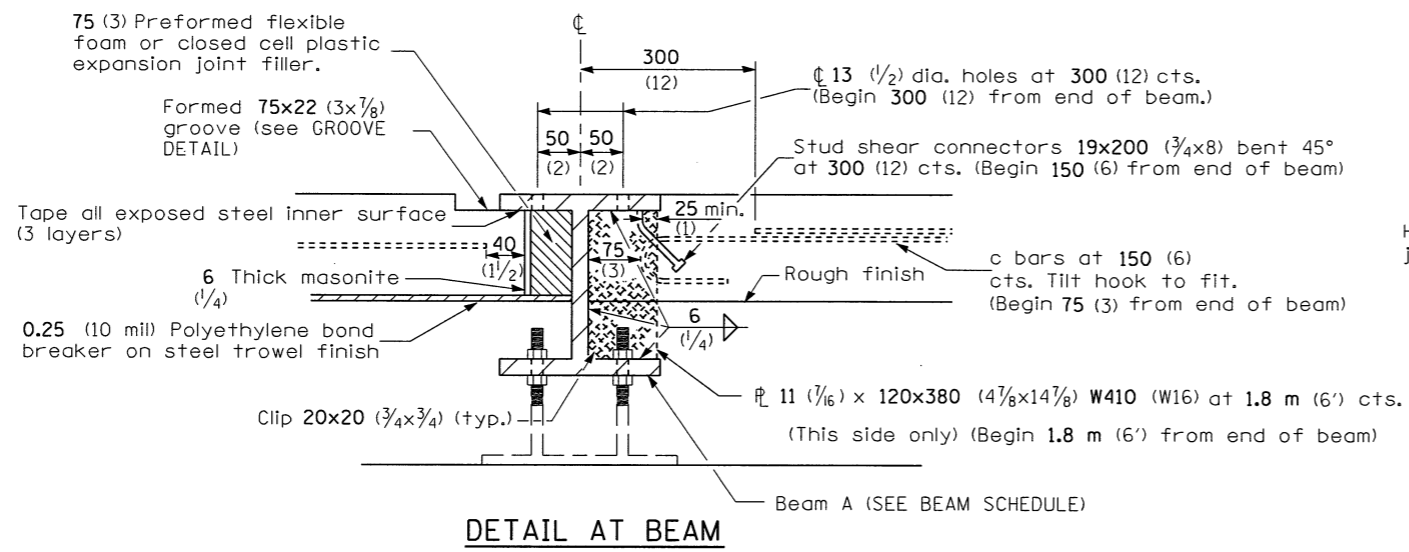
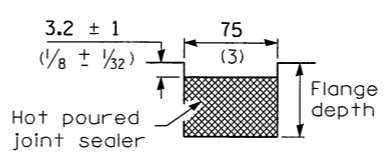
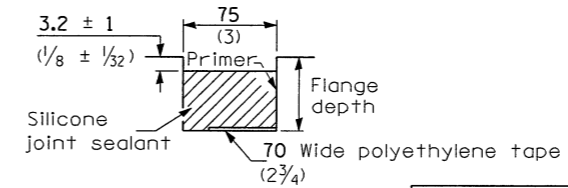


F.A.I. RTE.	SECTION	COUNTY	TOTAL SHEETS	SHEET NO.
55		MCLEAN	310	170
FED. ROAD DIST. NO.	ILLINOIS	FED. AID PROJECT		
		(57-4)R, HBY, HBR, (57-4)B)DM		
CONTRACT #70757				



LOCATION	DIMENSION
A	265 (10 3/8)
B	115 (4 7/16)
C	100 (4)
D	430 (17)

BEAM SCHEDULE			
BEAM	SIZE	LENGTH (m)	LOCATIONS
A	W410x149 (W16x100)	12.126 m	34+909.0 RT 34+909.0 LT 35+083.3 LT 35+083.3 RT



MATERIALS REQUIRED FOR ONE WIDE FLANGE BEAM TERMINAL JOINT COMPLETE

Bar	No. of Bars	Size	Bar Length	Shape
Beam A				
a	41	No. 15 (No. 4)	5.8 m	
b	29	No. 15 (No. 5)	11.9 m	
c	82	No. 20 (No. 6)	2.6 m	
Concrete, m ³ (cu. yds.)			9.1 (11.8)	
Reinforcement Bars, kg (lbs.)			1410 (3109)	
Struct. Steel, kg (lbs.) W410x149 (W16x100)			1807 (3979)	
*Weight includes beam, end plates, stiffener plates and studs.				
Pavement, m ² (sq. yds.)			364 (435)	
Pavt. Reinforcement m ² (sq. yds.)			364 (435)	
100 (4) Stab. Subbase m ² (sq. yds.)			391 (468)	
300 (12) Impr. Subgrd m ² (sq. yds.)			391 (468)	

GENERAL NOTES

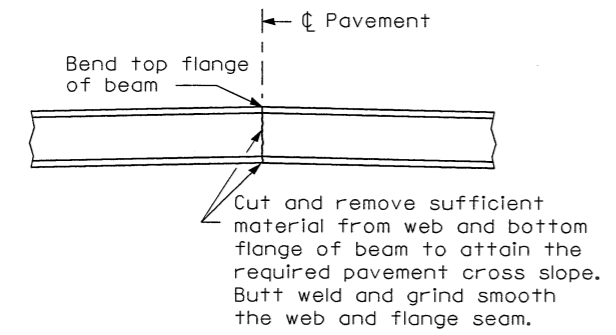
Sedant components for the wide flange beam terminal joint shall be as follows or approved equals. Sealant shall be Dow Corning 888 Silicone Highway Joint Sealant. Tape shall be Polyethylene Tape No. 40. Primer, used on the metal only, shall be Dow Corning 1200. At the Contractor's option the joint may be sealed as shown in the optional groove detail.

Dowel bar caps shall be placed on opposite ends of adjacent dowel bars.

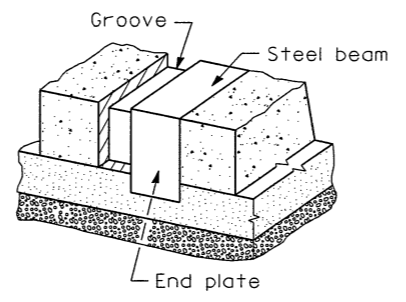
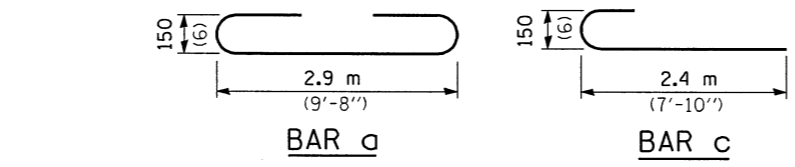
See Standard 421001 for details of pavement reinforcement.

See Standards 420001 and 420401 for details of joints and tie bars not shown.

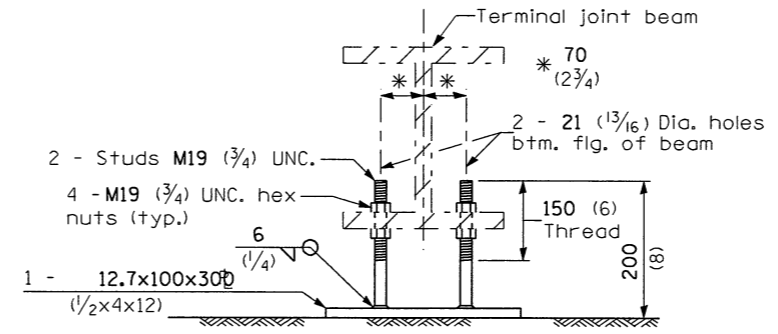
All dimensions are in millimeters (inches) unless otherwise shown.



DETAIL OF CUTTING AND WELDING BEAM



VIEW OF GROOVE AT EDGE OF PAVEMENT



OPTIONAL ADJUSTABLE CHAIR

6/25/2009	#FILE#
LAYOUT	J.H.
DRAWN	J.H.
REVIEWED	D.L.H.
	03/18/04

REVISIONS	
NAME	DATE

ILLINOIS DEPARTMENT OF TRANSPORTATION
F.A.I. 55
SECTION (57-4)R, HBY, HBR, (57-4)B)DM
MCLEAN COUNTY
WIDE FLANGE BEAM TERMINAL JOINT COMPLETE (VARIABLE) DETAILS

JOB NO. 94S2063
DATE 6/25/2009