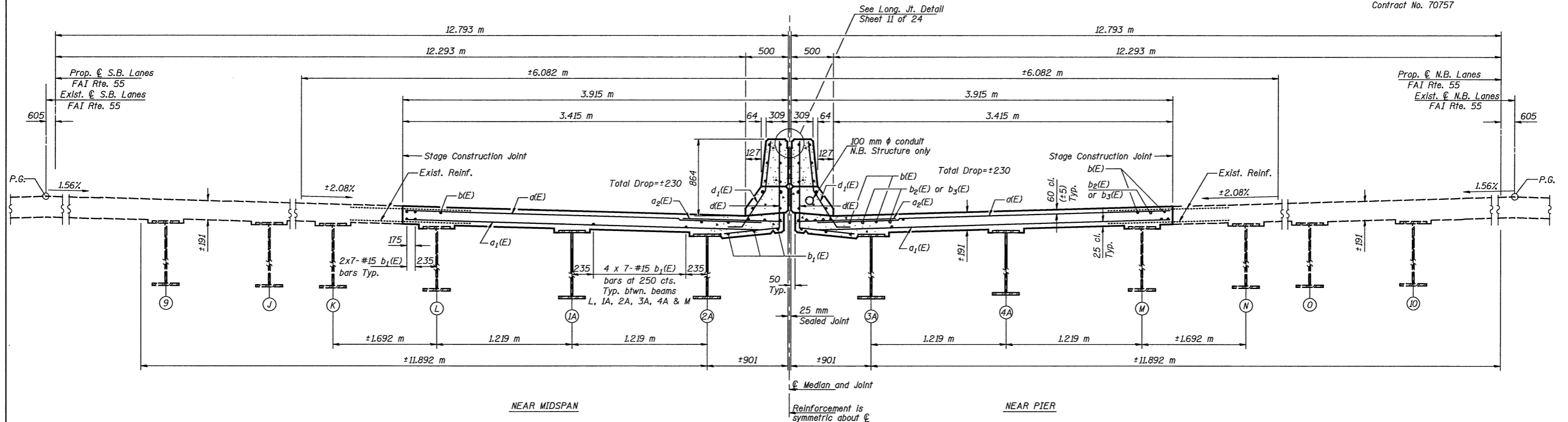


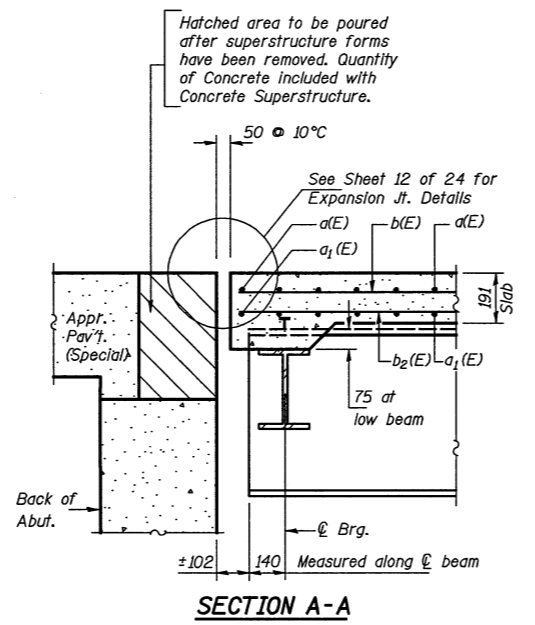
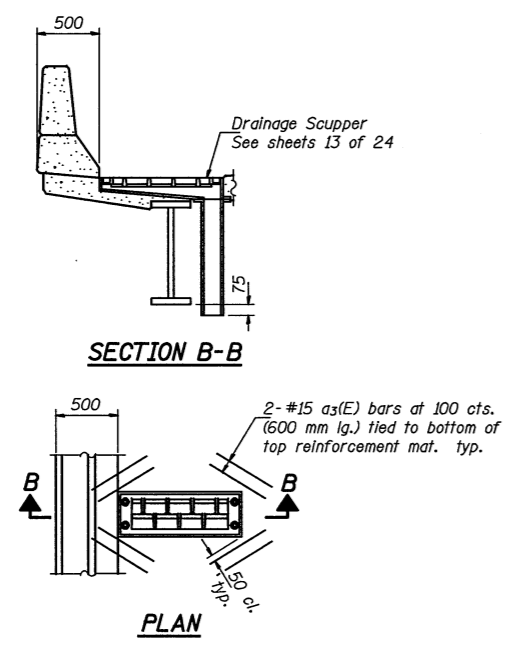
F.A.I. RTE.	SECTION	COUNTY	TOTAL SHEETS	SHEET NO.
55	*	McLEAN	310	186
STA.		TO STA.		
FED. ROAD DIST. NO. 7		ILLINOIS FAP		
*(57-4)R, HBY, HBR, (57-4VB)DM				
Contract No. 70757				



**CROSS SECTION**  
(Looking East)

**NOTES**

Bars indicated thus 3x8-#15 etc. indicates 3 lines of bars with 8 lengths per line. Cut reinforcement bars in slab to clear drainage scuppers. Existing reinforcement extending into removed areas shall be cleaned, straightened and incorporated into the new construction with a minimum lap length of 610 mm except as noted. Cost Included with Concrete Removal. See Sheet 11 of 24 for Superstructure Details, Parapet Reinforcement, Bar Details and Bill of Material. All dimensions are in millimeters (mm) except as noted.



ILLINOIS DEPARTMENT OF TRANSPORTATION			
SHEET TITLE SUPERSTRUCTURE-STAGE 1 DETAILS			
PROJECT	F.A.I. 55 OVER BUSINESS U.S. 51 SECTION 57-4HBR-4 STATION 37+474.206 McLEAN COUNTY STRUCTURE NO. 057-0024 (N.B.) & STRUCTURE NO. 057-0025 (S.B.)	PROJECT NO.	08049-5
SCALE		DATE	07/15/2009
DRAWN BY	TFG/CFC	CHECKED BY	CME/MCB
COOMBE-BLOXDORF P.C. Engineers / Land Surveyors Springfield, Illinois Design Firm License No. 184-002703			DRAWING NO. 10
			OF 24 SHTS